

---

## Tower Light Series

### MOUNTING POLE

#### Functions & Features

- Used for mounting Tower Light Series
- L-shaped mount and circular base mount are selectable

### MODEL: ITPL2-[1]030

#### ORDERING INFORMATION

- Code number: ITPL2-[1]030

Specify a code from below for [1].

(e.g. ITPL2-C030)

#### [1] TYPE

C: circular base mount

L: L-shaped mount

#### LENGTH

030: 30 cm (9.8 ft.)

Pole length is changeable (special option).

Consult us.

#### GENERAL SPECIFICATIONS

##### Degree of protection:

- Circular base mount: IP65
- L-shaped mount: IP13

(When used in combination with Tower Light Series)

##### Material

Pole: Steel

Circular base: Aluminium

L-shaped bracket: Steel

#### AVAILABLE MODELS

Tower Light Series IT40SA2, IT50SA2, IT60SA2

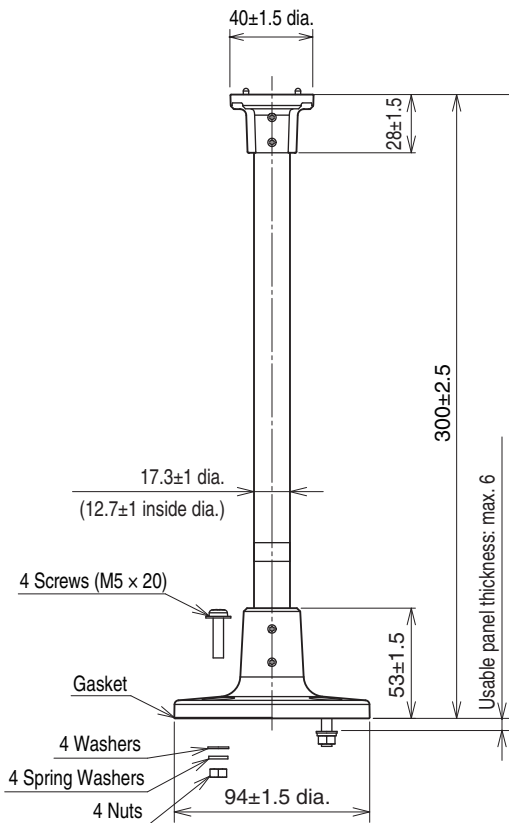
#### INSTALLATION

Weight: Approx. 0.5 kg (1.10 lb) for circular base mount

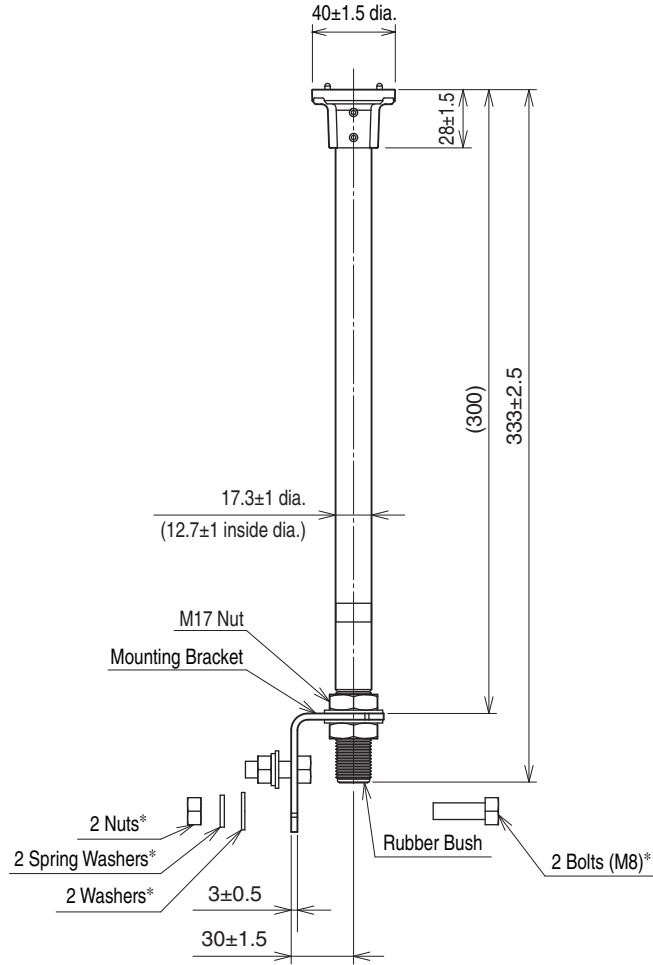
Approx. 0.4 kg (0.88 lb) for L-shaped mount

## EXTERNAL DIMENSIONS unit: mm

### ■ CIRCULAR BASE MOUNT TYPE



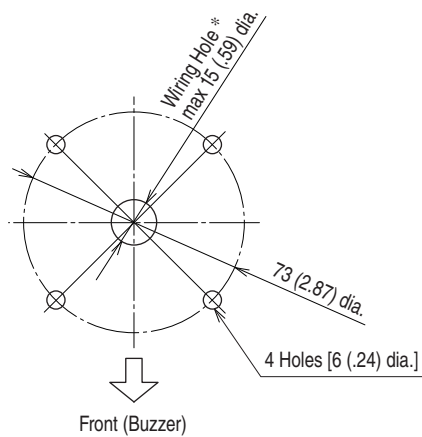
### ■ L-SHAPED MOUNT TYPE



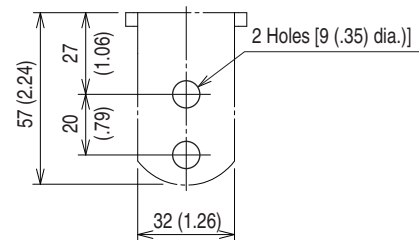
\* Not included with product package.

## MOUNTING REQUIREMENTS unit: mm [inch]

### ■ CIRCULAR BASE MOUNT TYPE



### ■ L-SHAPED MOUNT TYPE



\* Protect wires to prevent scratching them on edges.  
Determine the hole diameter according to the size of the wires.



Specifications are subject to change without notice.