

Tower Light Series

MOUNTING PARTS

Functions & Features

- Used for mounting Tower Light Series

MODEL: ITS-[1]

ORDERING INFORMATION

- Code number: ITS-[1]

Specify a code from below for [1].

(e.g. ITS-1)

[1] TYPE

1: For 60 mm dia.

2: For 40 mm dia.

GENERAL SPECIFICATIONS

Material: Diecast aluminum

AVAILABLE MODELS

Tower Light Series IT40S, IT50S, IT60S and IT40SA2,
IT50SA2, IT60SA2

INSTALLATION

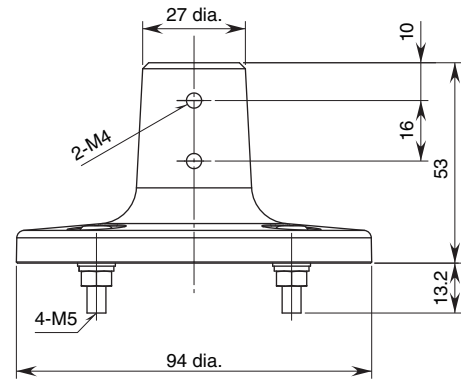
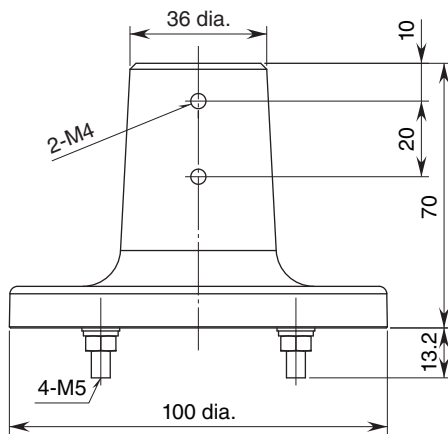
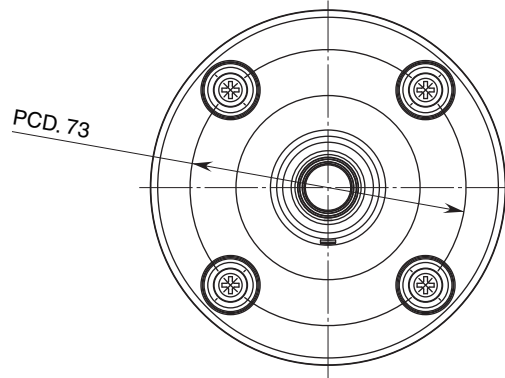
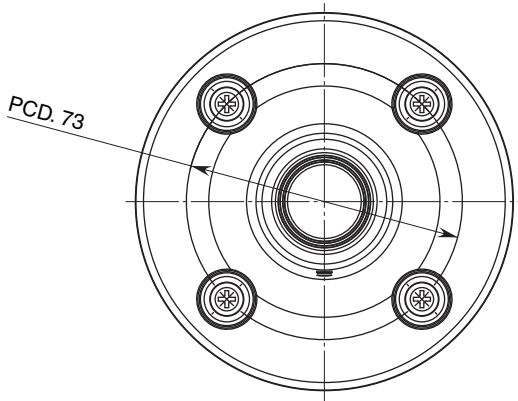
Weight: 310 g (0.68 oz) for type 1

210 g (0.46 oz) for type 2

EXTERNAL DIMENSIONS unit: mm

■ TYPE 1

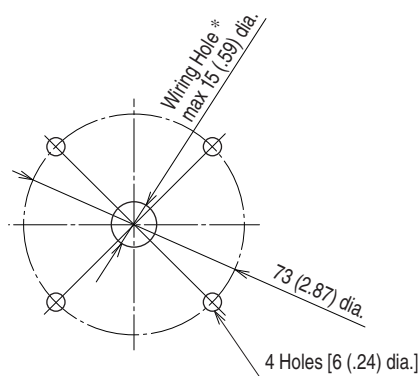
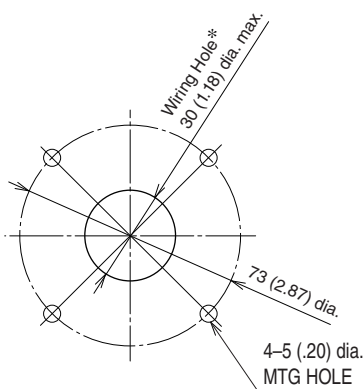
■ TYPE 2



MOUNTING REQUIREMENTS unit: mm [inch]

■ TYPE 1

■ TYPE 2



* Protect wires to prevent scratching them on edges.
Determine the hole diameter according to the size of the wires.



Specifications are subject to change without notice.