

Tower Light Series

MOUNTING PARTS

Functions & Features

- Used for mounting Tower Light Series

MODEL: ITW-[1]

ORDERING INFORMATION

- Code number: ITW-[1]

Specify a code from below for [1].

(e.g. ITW-1)

[1] TYPE

1: For 60 mm dia.

2: For 40 mm dia.

GENERAL SPECIFICATIONS

Material: Diecast aluminum

AVAILABLE MODELS

Tower Light Series IT40S, IT50S, IT60S and IT40SA2,
IT50SA2, IT60SA2

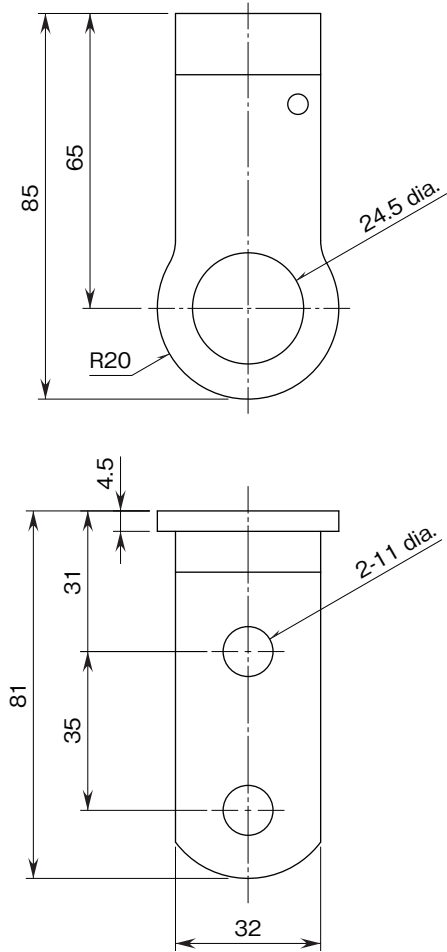
INSTALLATION

Weight: 160 g (0.35 oz) for type 1

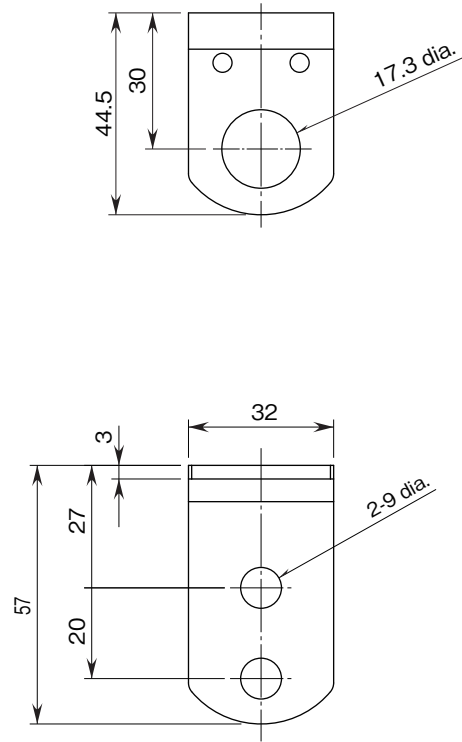
60 g (0.13 oz) for type 2

EXTERNAL DIMENSIONS unit: mm

■ TYPE 1

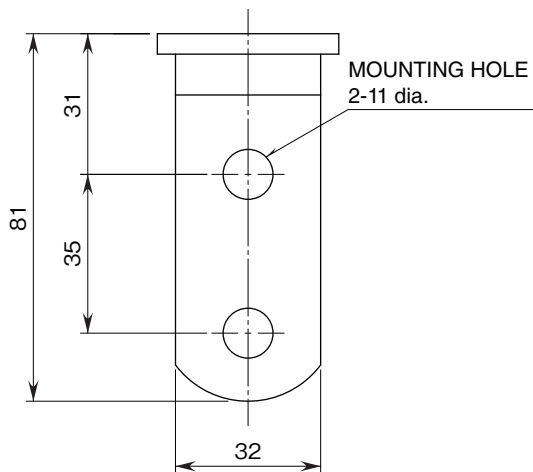


■ TYPE 2

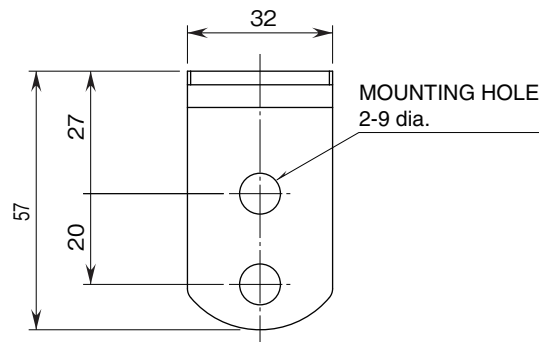


MOUNTING REQUIREMENTS unit: mm [inch]

■ TYPE 1



■ TYPE 2





Specifications are subject to change without notice.