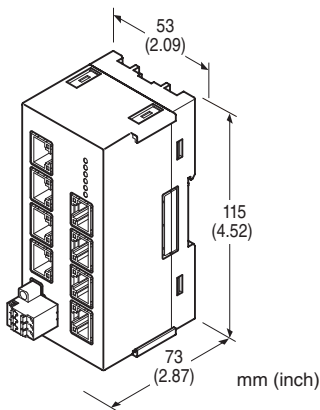


Remote I/O JC Series

JUNCTION SLAVE

(EtherCAT)

EtherCAT® is a registered trademark and patented technology, licensed by Beckhoff Automation GmbH, Germany.



EtherCAT®

MODEL: JCT-ECT-[1]-R[2]

ORDERING INFORMATION

- Code number: JC-ECT-[1]-R[2]
Specify a code from below for each of [1] and [2].
(e.g. JC-ECT-4-R/Q)
- Specify the specification for option code /Q
(e.g. /C01)

[1] MODULE TYPE

- 4: 4 ports
- 8: 8 ports

POWER INPUT

DC power
R: 24 V DC
(Operational voltage range: $\pm 10\%$; ripple 10 %p-p max.)

[2] OPTIONS

blank: none
/Q: With options (specify the specification)

SPECIFICATIONS OF OPTION: Q

COATING (For the detail, refer to our web site.)
/C01: Silicone coating
/C02: Polyurethane coating
/C03: Rubber coating

FUNCTIONS & FEATURES

Realizes flexible EtherCAT wiring with combination of daisy-chain connection and branch connection.

RELATED PRODUCTS

- Remote I/O R8 series (model: R8-NECT1)
- Remote I/O R80 series (model: R80NECT1)
- Remote I/O R3 series (model: R3-NECT1)
- Remote I/O R30 series (model: R30NECT1)
- Remote I/O R7I4D series (model: R7I4DECT)
- ESI file
(downloadable at our web site.)

GENERAL SPECIFICATIONS

Number of ports:

JC-ECT-4: 1 input port; 3 output ports
JC-ECT-8: 1 input port; 7 output ports

Max. number of connected nodes:

JC-ECT-4: 1
JC-ECT-8: 3

Connectable devices: Devices conforming to EtherCAT Connection

EtherCAT: RJ-45 modular jack

Power input: spring clamp terminal

Power indicator: Green LED turns on while the power is supplied.

ETHERCAT COMMUNICATION

Standard: IEEE 802.3u

Transmission type: 100BASE-TX

Transmission speed: Full-duplex 100 Mbps

Transmission media: 100BASE-TX (STP cable; Category 5e)

Maximum node length: 100 m

Status indicator: L/A

INSTALLATION

Rated current for power supply connector: 8A

Power consumption:

JC-ECT-4: Approx. 2.0 W

JC-ECT-8: Approx. 4.2 W

Operating temperature: -10 to +55°C (14 to 131°F)

Operating humidity: 10 to 90 %RH (non-condensing)

Atmosphere: No corrosive gas or heavy dust

Mounting: Surface or DIN rail

Weight

JC-ECT-4: 150 g (0.33 lb)
 JC-ECT-8: 170 g (0.37 lb)

PERFORMANCE

Insulation resistance: $\geq 100 \text{ M}\Omega$ with 500 V DC

JC-ECT-4 (IN or X2 or X3 or X4 or FE to power)

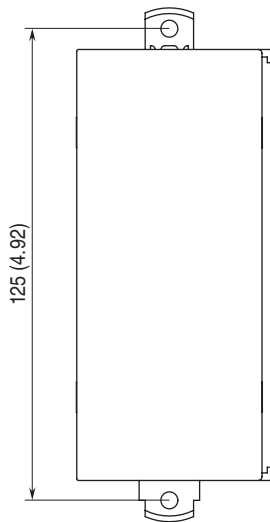
JC-ECT-8 (IN or X2 or X3 or X4 or X5 or X6 or X7 or X8 or FE to power)

Dielectric strength: 1500 V AC @ 1 minute

JC-ECT-4 (IN or X2 or X3 or X4 or FE to power)

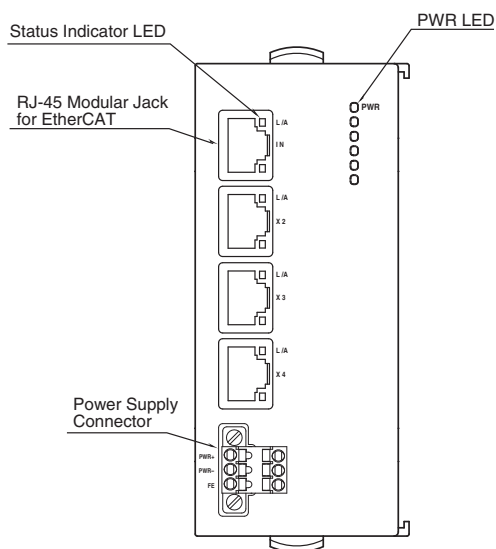
JC-ECT-8 (IN or X2 or X3 or X4 or X5 or X6 or X7 or X8 or FE to power)

MOUNTING REQUIREMENTS unit: mm (inch)

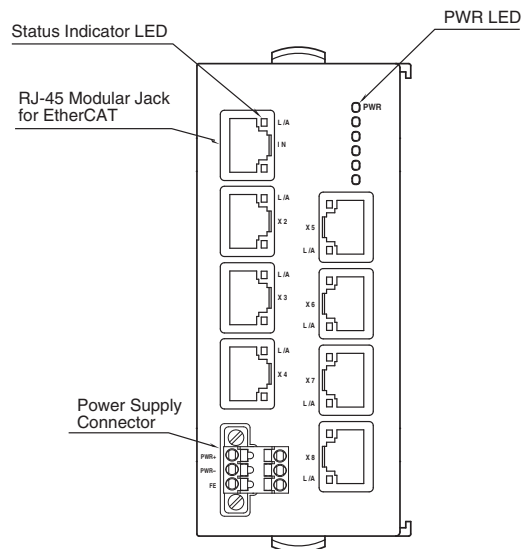


EXTERNAL VIEW

■ MODULE TYPE: 4 (4 ports)



■ MODULE TYPE: 8 (8 ports)



CONNECTION DIAGRAMS

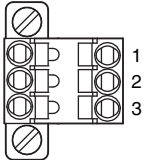
■ POWER SUPPLY

Cable connector: TFMC1,5 / 5-STF-3,5
(Phoenix Contact) (included in the package)

Applicable wire size: 0.2 – 1.5 mm²; stripped length 10 mm

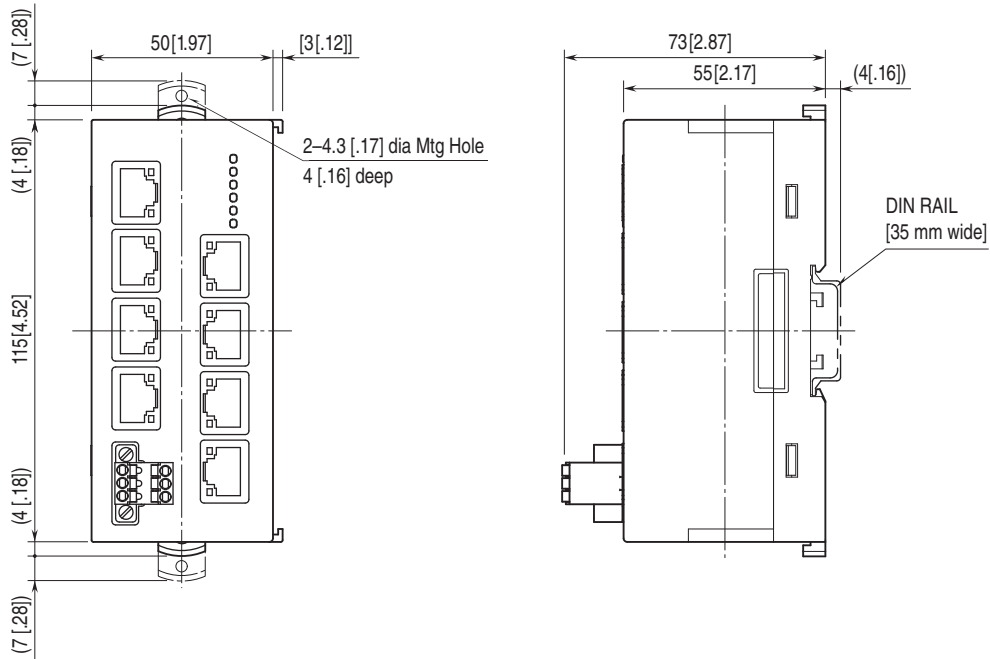
Recommended solderless terminal

- AI0,25-10YE 0.25 mm² (Phoenix Contact)
- AI0,34-10TQ 0.34 mm² (Phoenix Contact)
- AI0,5-10WH 0.5 mm² (Phoenix Contact)
- AI0,75-10GY 0.75 mm² (Phoenix Contact)
- A1-10 1.0 mm² (Phoenix Contact)
- A1,5-10 1.5 mm² (Phoenix Contact)



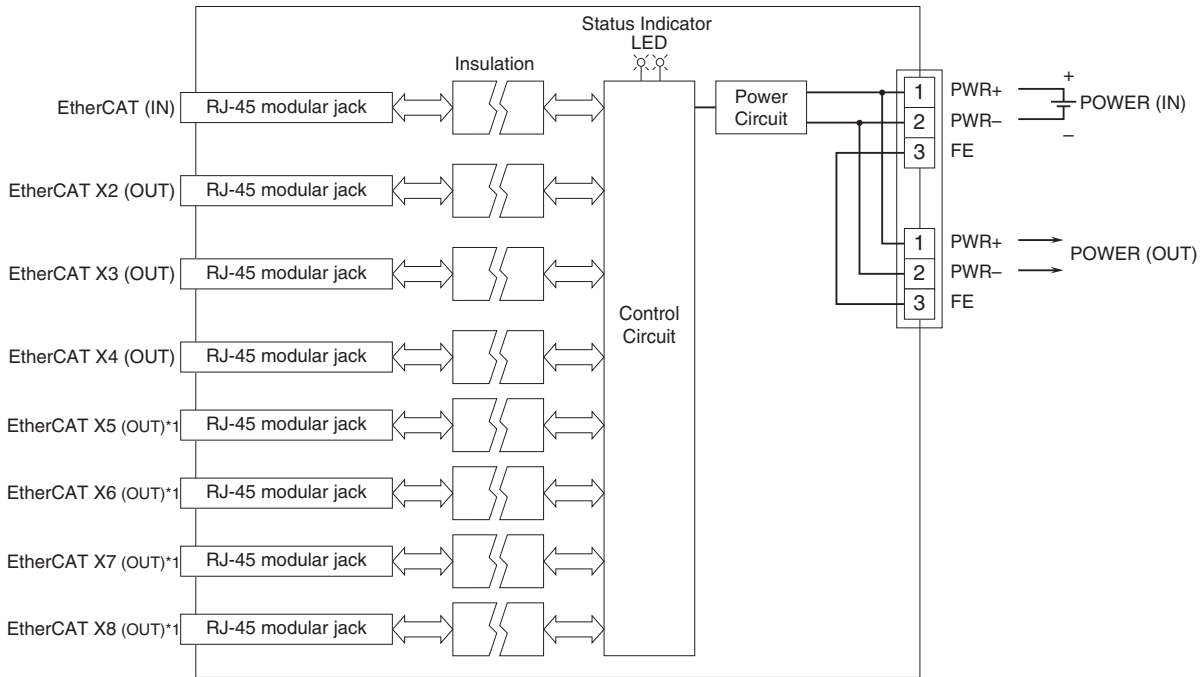
- 1. PWR + Power Supply
- 2. PWR - Power Supply
- 3. FE Functional earth

EXTERNAL DIMENSIONS unit: mm [inch]



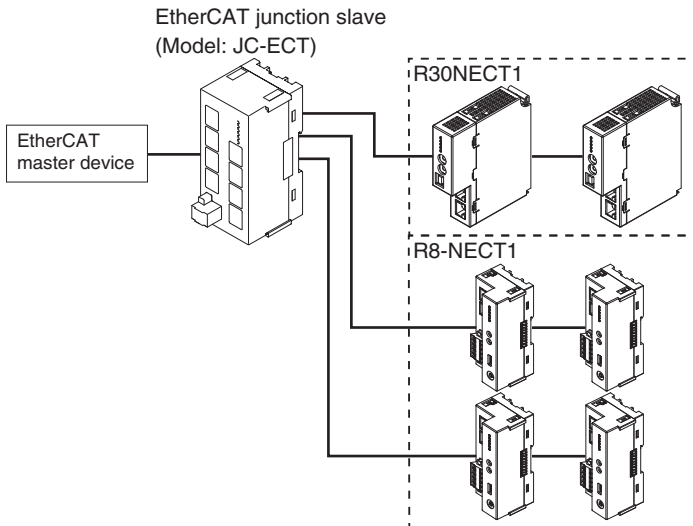
SCHEMATIC CIRCUITRY & CONNECTION DIAGRAM

Caution: FE terminal is NOT a protective conductor terminal.



*1. Available with JC-ECT-8 only.

SYSTEM DESCRIPTIONS



Note) Be sure to connect the EtherCAT master device to the EtherCAT (IN) port.



Specifications are subject to change without notice.