

Plug-in Signal Conditioners K-UNIT

J: 240 V AC

CURRENT LOOP SUPPLY

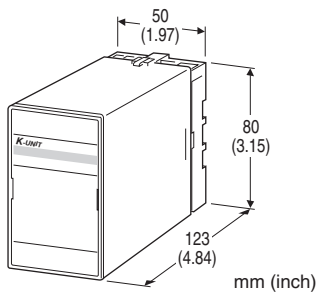
(CE, non-isolated)

Functions & Features

- Powering a 4 – 20 mA DC current loop
- Output voltage 24 V or 42 V
- Electrically isolating output signal from power input
- Shortcircuit protection
- Applicable to smart transmitters
- High-density mounting

Typical Applications

- Various 2-wire transmitters
- 42 V output provides increased loop drive

**MODEL: KD-[1]-[2]/CE****ORDERING INFORMATION**

- Code number: KD-[1]-[2]/CE
- Specify a code from below for each of [1] and [2].
(e.g. KD-24-H/CE)

[1] SUPPLY OUTPUT**24:** 24 V DC**42:** 42 V DC**INPUT**

Current

4 – 20 mA DC

OUTPUT

Current

4 – 20 mA DC

[2] POWER INPUT

AC Power

G: 200 V AC**H:** 220 V AC**OPTIONS**

Standards & Approvals (must be specified)

/CE: CE marking

RELATED PRODUCTS

- Resistor module (model: REM-250)

GENERAL SPECIFICATIONS**Construction:** Plug-in**Connection:** M3.5 screw terminals**Screw terminal:** Chromated steel**Housing material:** Flame-resistant resin (black)**Isolation:** Input or output to power**SUPPLY OUTPUT****Output voltage (with no load):**

24 V use: 24 – 28 V DC

42 V use: 39 – 43 V DC

Current rating: ≤ 22 mA DC

- **Shortcircuit Protection**

Current limited: 40 mA max.**Protected time duration:** No limit**INSTALLATION****Power input**

Operational voltage range: Rating ±10 %

50/60 ±2 Hz

Approx. 2 VA (KD-24)

Approx. 3.2 VA (KD-42)

Operating temperature: -5 to +55°C (23 to 131°F)**Operating humidity:** 30 to 90 %RH (non-condensing)**Mounting:** Surface or DIN rail**Weight:** 300 g (0.66 lb)**PERFORMANCE in percentage of span****Line voltage effect**

KD-24: ±0.5 % over voltage range

KD-42: ±1 % over voltage range

Insulation resistance: ≥ 100 MΩ with 500 V DC**Dielectric strength:** 2300 V AC @1 minute

(input or output to power to ground)

STANDARDS & APPROVALS**EU conformity:**

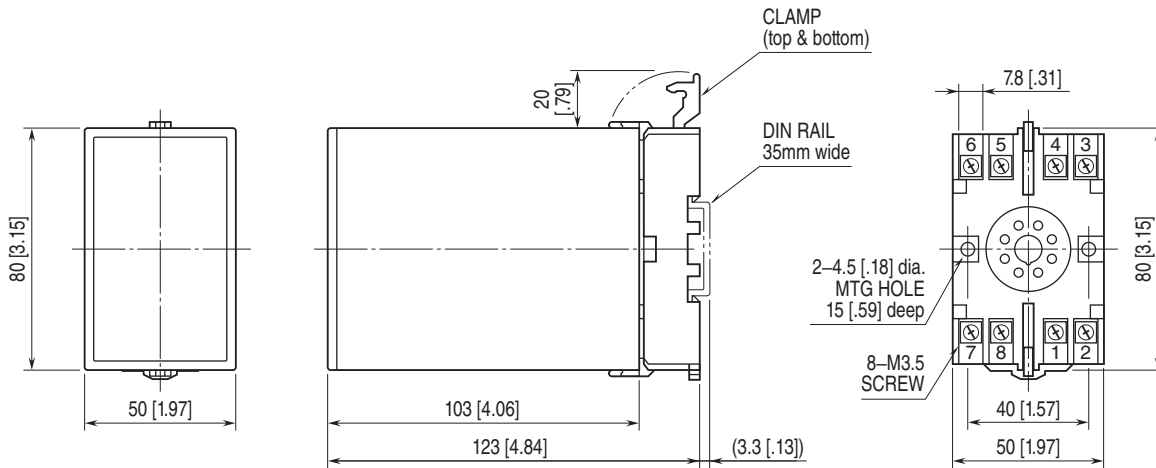
EMC Directive

EMI EN 61000-6-4

EMS EN 61000-6-2

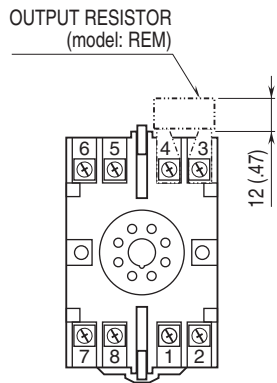
Low Voltage Directive
 EN 61010-1
 Installation Category II
 Pollution Degree 2
 Input or output to power: Reinforced insulation (300 V)
 RoHS Directive

EXTERNAL DIMENSIONS unit: mm [inch]



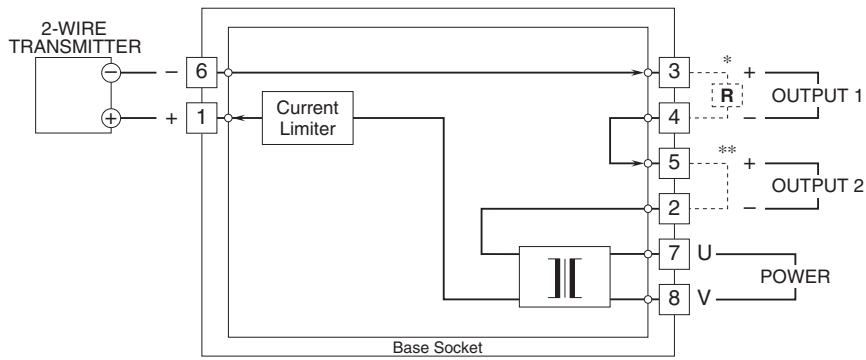
• When mounting, no extra space is needed between units.

TERMINAL ASSIGNMENTS unit: mm [inch]



Use output shunt resistor for voltage output.

SCHEMATIC CIRCUITRY & CONNECTION DIAGRAM



* Use output shunt resistor for voltage output.

**Be sure to short-circuit if not using output 2.

Note: Use 250Ω load resistance when combined with a smart transmitter.



Specifications are subject to change without notice.