

Plug-in Signal Conditioners K-UNIT

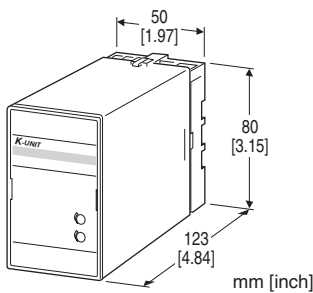
DIGITAL DIVIDER

Functions & Features

- Accepting two DC inputs and providing a standard process signal proportional to the division of the two signals
- Isolation up to 2000 V AC
- High-density mounting

Typical Applications

- Air-fuel ratio control
- Mixing ratio control of two materials



MODEL: KDIS-[1][2][3]-[4][5]

ORDERING INFORMATION

- Code number: KDIS-[1][2][3]-[4][5]
- Specify a code from below for each of [1] through [5]. (e.g. KDIS-6AA-B/Q)
- Special input and output ranges (For codes Z & O)
- Specify the specification for option code /Q (e.g. /C01/S01)
- Parameters (e.g. $K_1 = 0.50$, $K_2 = 0.90$)

[1] INPUT 1

Current

- A:** 4 - 20 mA DC (Input resistance 250 Ω)
- A1:** 4 - 20 mA DC (Input resistance 50 Ω)
- B:** 2 - 10 mA DC (Input resistance 500 Ω)
- C:** 1 - 5 mA DC (Input resistance 1000 Ω)
- D:** 0 - 20 mA DC (Input resistance 50 Ω)
- E:** 0 - 16 mA DC (Input resistance 62.5 Ω)
- F:** 0 - 10 mA DC (Input resistance 100 Ω)
- G:** 0 - 1 mA DC (Input resistance 1000 Ω)
- H:** 10 - 50 mA DC (Input resistance 100 Ω)
- K:** 0 - 100 μ A DC (Input resistance 1000 Ω)
- GW:** -1 - +1 mA DC (Input resistance 1000 Ω)
- FW:** -10 - +10 mA DC (Input resistance 100 Ω)
- Z:** Specify current (See INPUT SPECIFICATIONS)

Voltage

- 1:** 0 - 10 mV DC (Input resistance 10 k Ω min.)
- 2:** 0 - 100 mV DC (Input resistance 100 k Ω min.)
- 3:** 0 - 1 V DC (Input resistance 1 M Ω min.)
- 4:** 0 - 10 V DC (Input resistance 1 M Ω min.)
- 5:** 0 - 5 V DC (Input resistance 1 M Ω min.)
- 6:** 1 - 5 V DC (Input resistance 1 M Ω min.)
- 4W:** -10 - +10 V DC (Input resistance 1 M Ω min.)
- 5W:** -5 - +5 V DC (Input resistance 1 M Ω min.)
- 0:** Specify voltage (See INPUT SPECIFICATIONS)

[2] INPUT 2

Same range availability as Input 1

[3] OUTPUT

Current

- A:** 4 - 20 mA DC (Load resistance 750 Ω max.)
- B:** 2 - 10 mA DC (Load resistance 1500 Ω max.)
- C:** 1 - 5 mA DC (Load resistance 3000 Ω max.)
- D:** 0 - 20 mA DC (Load resistance 750 Ω max.)
- E:** 0 - 16 mA DC (Load resistance 900 Ω max.)
- F:** 0 - 10 mA DC (Load resistance 1500 Ω max.)
- G:** 0 - 1 mA DC (Load resistance 15 k Ω max.)
- Z:** Specify current (See OUTPUT SPECIFICATIONS)

Voltage

- 1:** 0 - 10 mV DC (Load resistance 10 k Ω min.)
- 2:** 0 - 100 mV DC (Load resistance 100 k Ω min.)
- 3:** 0 - 1 V DC (Load resistance 100 Ω min.)
- 4:** 0 - 10 V DC (Load resistance 1000 Ω min.)
- 5:** 0 - 5 V DC (Load resistance 500 Ω min.)
- 6:** 1 - 5 V DC (Load resistance 500 Ω min.)
- 4W:** -10 - +10 V DC (Load resistance 2000 Ω min.)
- 5W:** -5 - +5 V DC (Load resistance 1000 Ω min.)
- 0:** Specify voltage (See OUTPUT SPECIFICATIONS)

[4] POWER INPUT

AC Power

- B:** 100 V AC
- C:** 110 V AC
- D:** 115 V AC
- F:** 120 V AC
- G:** 200 V AC
- H:** 220 V AC
- J:** 240 V AC

DC Power

- S:** 12 V DC
- R:** 24 V DC

[5] OPTIONS

blank: none

/Q: With options (specify the specification)

SPECIFICATIONS OF OPTION: Q (multiple selections)

COATING (For the detail, refer to our web site.)

/C01: Silicone coating

/C02: Polyurethane coating

/C03: Rubber coating

TERMINAL SCREW MATERIAL

/S01: Stainless steel

GENERAL SPECIFICATIONS

Construction: Plug-in

Connection: M3.5 screw terminals

Screw terminal: Chromated steel (standard) or stainless steel

Housing material: Flame-resistant resin (black)

Isolation: Input 1 or input 2 to output to power (Negative sides of the input 1 and 2 must be of the same potential.)

Overrange output: 0 to 115 % at 1 - 5 V

Zero adjustment: -5 to +5 % (front)

Span adjustment: 95 to 105 % (front)

Equation: Output = $(K_1 \times \text{Input 1}) \div (K_2 \times \text{Input 2})$

$K_1, K_2:$ 0.10 - 1.15 (parameters)

$2 \geq (K_1 \div K_2) \geq 0.2$

Input 1: 0 - $(115 \div (K_1 \div K_2))$ % with $(K_1 \div K_2) \geq 1$

Forcibly limited to 0 % or $(115 \div (K_1 \div K_2))$ % with overrange.

0 - 115 % with $(K_1 \div K_2) < 1$

Forcibly limited to 0 % or 115 % with overrange.

Input 2: 5 - 115 %; forcibly limited to 5 % or 115 % with overrange.

Output: 0 - 120 % (approx.); forcibly limited to 0 % or 120 % with overrange.

K_1, K_2 are ex-factory specified.

Example:

K_1	K_2	INP1	INP2	OUT
0.50	1.00	100 %	50 %	100 %
0.50	1.00	50 %	50 %	50 %
0.50	1.00	-5 %	50 %	0 %

INPUT SPECIFICATIONS

■ **DC Current:**

Shunt resistor attached to the input terminals (0.5 W)

Specify input resistance value for code Z.

■ **DC Voltage:** -300 - +300 V DC

Minimum span: 10 mV

Offset: Max. 1.5 times span

Input resistance

Span 10 - 100 mV : $\geq 10 \text{ k}\Omega$

Span 0.1 - 1 V : $\geq 100 \text{ k}\Omega$

Span $\geq 1 \text{ V}$: $\geq 1 \text{ M}\Omega$

OUTPUT SPECIFICATIONS

■ **DC Current:** 0 - 20 mA DC

Minimum span: 1 mA

Offset: Max. 1.5 times span

Load resistance: Output drive 15 V max.

■ **DC Voltage:** -10 - +12 V DC

Minimum span: 5 mV

Offset: Max. 1.5 times span

Load resistance: Output drive 10 mA max.; 5 mA for negative voltage output; at $\geq 0.5 \text{ V}$

INSTALLATION

Power input

• **AC:** Operational voltage range: rating ± 10 %, 50/60 ± 2 Hz, approx. 3 VA

• **DC:** Operational voltage range: rating ± 10 %, ripple 10 %p-p max., approx. 2 W (80 mA at 24 V)

Operating temperature: -5 to +55°C (23 to 131°F)

Operating humidity: 30 to 90 %RH (non-condensing)

Mounting: Surface or DIN rail

Weight: 350 g (0.77 lb)

PERFORMANCE in percentage of span

Accuracy: ± 1.0 % (input 2 ≥ 20 %)

Temp. coefficient: ± 0.03 % /°C (± 0.02 % /°F) (input 2 ≥ 20 %)

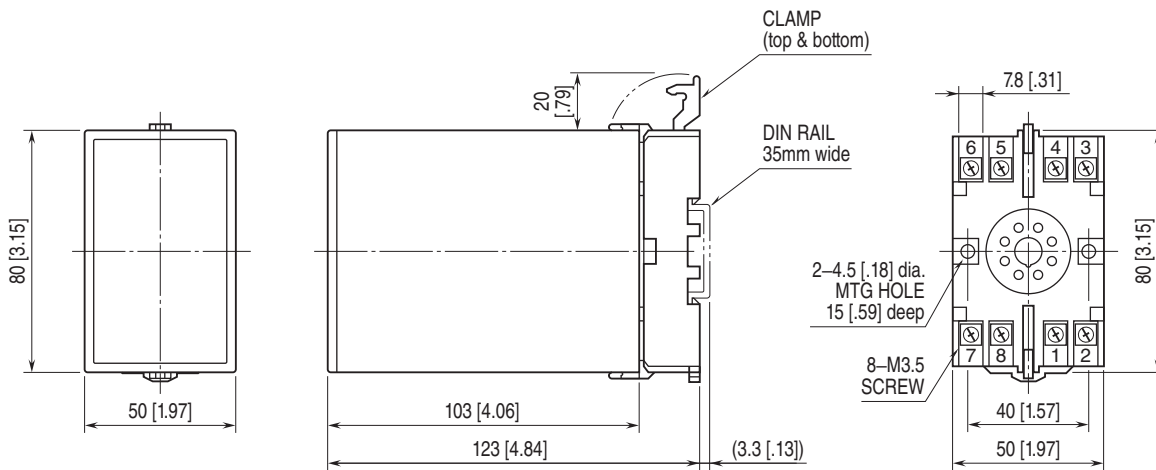
Response time: ≤ 0.5 sec. (0 - 90 %)

Line voltage effect: ± 0.1 % over voltage range

Insulation resistance: $\geq 100 \text{ M}\Omega$ with 500 V DC

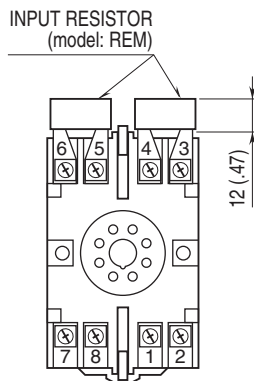
Dielectric strength: 2000 V AC @1 minute (input 1 or input 2 to output to power to ground)

EXTERNAL DIMENSIONS unit: mm [inch]



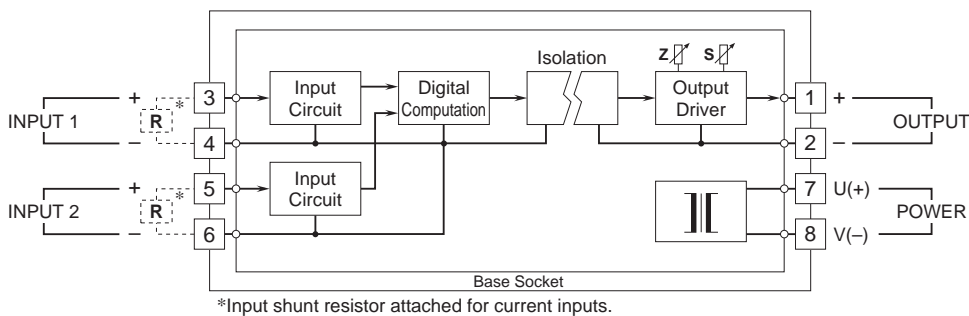
• When mounting, no extra space is needed between units.

TERMINAL ASSIGNMENTS unit: mm [inch]



Input shunt resistor attached for current input.

SCHEMATIC CIRCUITRY & CONNECTION DIAGRAM



Specifications are subject to change without notice.