

Plug-in Signal Conditioners K-UNIT

PHASE ANGLE TRANSDUCER

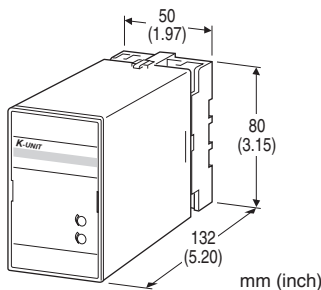
(self-powered)

Functions & Features

- Providing a DC output signal in proportion to phase angle
- DC output containing little ripple is ideal for computer input
- Isolation up to 2000 V AC
- High-density mounting
- No auxiliary power source required

Typical Applications

- Centralized monitoring and control of power management system in a manufacturing facility or building
- Measuring phase angle for a motor



MODEL: KEPAN-[1][2][3][4][5]

ORDERING INFORMATION

- Code number: KEPAN-[1][2][3][4][5]
- Specify a code from below for each of [1] through [5].
(e.g. KEPAN-11PA/Q)
- Special output range (For codes Z & 0)
- Specify the specification for option code /Q
(e.g. /C01/S01)

[1] CONFIGURATION

- 1: 3-phase / 3-wire
- 4: 3-phase / 4-wire

[2] INPUT (balanced load)

- 1: 110 V / 5 A AC
- 2: 110 V / 1 A AC
- 3: 220 V / 1 A AC
- 4: 220 V / 5 A AC
- 5: 220 V / 380 V / 1 A AC (3-phase / 4-wire)
- 6: 220 V / 380 V / 5 A AC (3-phase / 4-wire)
- 7: 110 V / 190 V / 1 A AC (3-phase / 4-wire)
- 8: 110 V / 190 V / 5 A AC (3-phase / 4-wire)

[3] OUTPUT SIGNAL POLARITY

- P: Negative in lag, positive in lead
- M: Negative in lead, positive in lag

[4] OUTPUT

Current

- A: 4 - 20 mA DC (Load resistance 600 Ω max.)
- B: 2 - 10 mA DC (Load resistance 1200 Ω max.)
- C: 1 - 5 mA DC (Load resistance 2400 Ω max.)
- D: 0 - 20 mA DC (Load resistance 600 Ω max.)
- E: 0 - 16 mA DC (Load resistance 750 Ω max.)
- F: 0 - 10 mA DC (Load resistance 1200 Ω max.)
- G: 0 - 1 mA DC (Load resistance 12 kΩ max.)
- GW: -1 - +1 mA DC (Load resistance 10 kΩ max.)
- Z: Specify current (See OUTPUT SPECIFICATIONS)

Voltage

- 1: 0 - 10 mV DC (Load resistance 10 kΩ min.)
- 2: 0 - 100 mV DC (Load resistance 100 kΩ min.)
- 3: 0 - 1 V DC (Load resistance 1000 Ω min.)
- 4: 0 - 10 V DC (Load resistance 10 kΩ min.)
- 5: 0 - 5 V DC (Load resistance 5000 Ω min.)
- 6: 1 - 5 V DC (Load resistance 5000 Ω min.)
- 1W: -10 - +10 mV DC (Load resistance 10 kΩ min.)
- 2W: -100 - +100 mV DC (Load resistance 100 kΩ min.)
- 3W: -1 - +1 V DC (Load resistance 1000 Ω min.)
- 4W: -10 - +10 V DC (Load resistance 10 kΩ min.)
- 5W: -5 - +5 V DC (Load resistance 5000 Ω min.)
- 0: Specify voltage (See OUTPUT SPECIFICATIONS)

[5] OPTIONS

- blank: none
- /Q: With options (specify the specification)

SPECIFICATIONS OF OPTION: Q (multiple selections)

- COATING (For the detail, refer to our web site.)
- /C01: Silicone coating
- /C02: Polyurethane coating
- /C03: Rubber coating
- TERMINAL SCREW MATERIAL
- /S01: Stainless steel

GENERAL SPECIFICATIONS

- Construction: Plug-in
- Connection: M3.5 screw terminals
- Screw terminal: Chromated steel (standard) or stainless steel
- Housing material: Flame-resistant resin (black)
- Isolation: Voltage input to current input to output
- Computation: Phase angle detection
- Overrange output: Approx. -10 to +120 % at 1 - 5 V

Zero adjustment: -5 to +5 % (front)
 Span adjustment: 95 to 105 % (front)

INPUT SPECIFICATIONS

■ INPUT

Frequency: 50 or 60 Hz

• Voltage Input

Input burden: 2.5 VA

Operational range: 85 - 110 % of rating

Overload capacity: 150% of rating for 10 sec., 110 % continuous

• Current Input

Input burden: 0.1 VA (input 1 A)

0.5 VA (input 5 A)

Operational range: 10 - 120 % of rating

Overload capacity: 1000% of rating for 3 sec., 200 % for 10 sec., 120 % continuous

■ Input range:

Lag 60° - 0 - lead 60°

Lead 60° - 0 - lag 60°

OUTPUT SPECIFICATIONS

■ DC Current: 0 - 20 mA DC and ± 1 mA

Minimum span: 1 mA

Offset: Max. 1.5 times span

Load resistance: Output drive 12 V max.

■ DC Voltage: -10 - +12 V DC

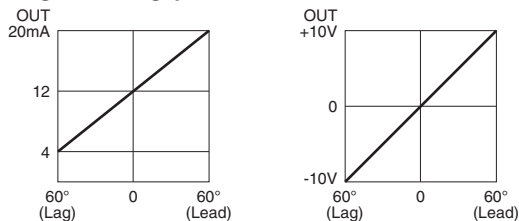
Minimum span: 5 mV

Offset: Max. 1.5 times span

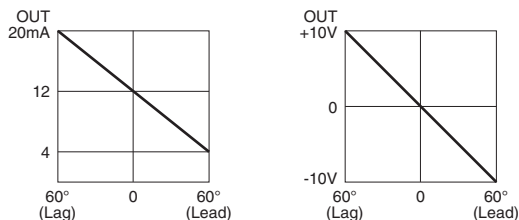
Load resistance: Output drive 1 mA max. at ≥ 0.5 V

■ OPERATION DIAGRAM (example)

• Negative in lag, positive in lead



• Negative in lead, positive in lag



Note: When there is 5% or less of rated input current, the output may become unstable (hunting).

INSTALLATION

Operating temperature: -10 to +55°C (14 to 131°F)

Operating humidity: 30 to 85 %RH (non-condensing)

Mounting: Surface or DIN rail

Weight: 400 g (0.88 lb)

PERFORMANCE in percentage of span

Accuracy: ± 2 % with balanced load

(at 23°C ± 10 °C or 73.4°F ± 18 °F, 45 - 65 Hz)

Response time: ≤ 2 sec. (0 - 100 % ± 1 %)

Ripple: 0.5 %p-p max.

Insulation resistance: ≥ 100 M Ω with 500 V DC

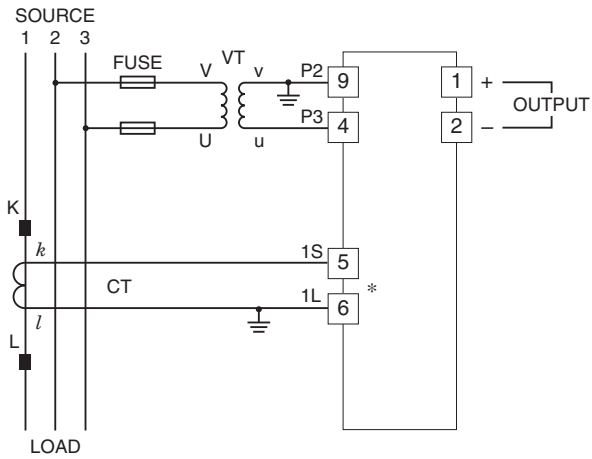
Dielectric strength: 2000 V AC @ 1 minute

(voltage input to current input to output to ground)

Impulse withstand voltage: 1.2 / 50 μ sec., ± 5 kV
 (input to output or ground)

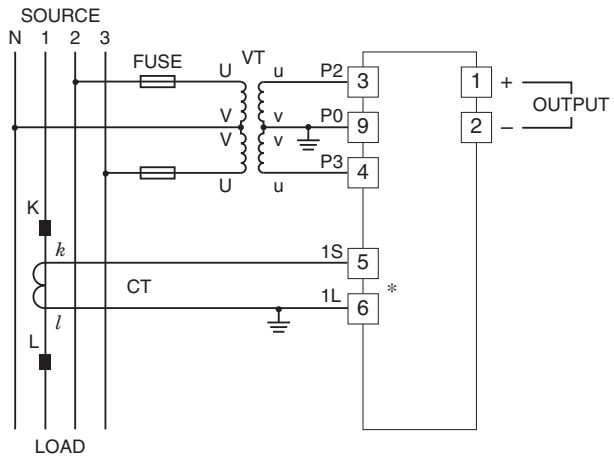
CONNECTION DIAGRAM

■ 3-PHASE/3-WIRE



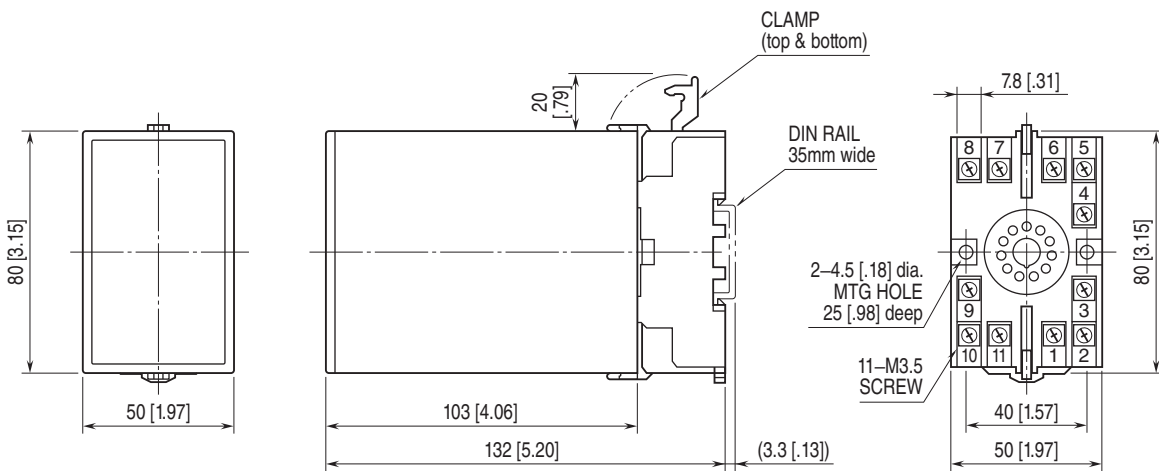
*CT Protector (model: CTM) attached to these terminals.

■ 3-PHASE/4-WIRE



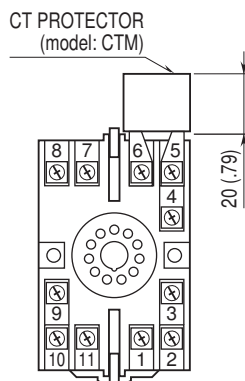
*CT Protector (model: CTM) attached to these terminals.

EXTERNAL DIMENSIONS unit: mm [inch]



• When mounting, no extra space is needed between units.

TERMINAL ASSIGNMENTS unit: mm [inch]





Specifications are subject to change without notice.