

Plug-in Signal Conditioners K-UNIT

PHASE ANGLE TRANSDUCER

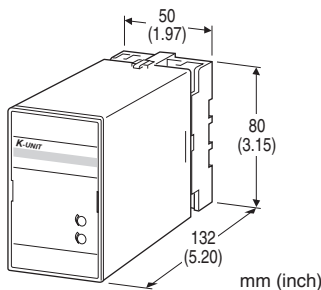
(for unbalanced load)

Functions & Features

- Provides a DC output signal in proportion to phase angle
- Usable with unbalanced load
- DC output containing little ripple is ideal for computer input
- Isolation up to 2000 V AC
- High-density mounting

Typical Applications

- Centralized monitoring and control of power management system in a manufacturing facility or building
- Measuring phase angle for a motor



MODEL: KEPAU-1[1][2][3][4]-[5][6]

ORDERING INFORMATION

- Code number: KEPAU-1[1][2][3][4]-[5][6]
- Specify a code from below for each of [1] through [6].
(e.g. KEPAU-111PA-C/Q)
- Special output range (For codes Z & 0)
- Specify the specification for option code /Q
(e.g. /C01/S01)

CONFIGURATION

1: 3-phase / 3-wire

[1] INPUT (unbalanced load)

- 1: 110 V / 5 A AC
- 2: 110 V / 1 A AC
- 3: 220 V / 1 A AC
- 4: 220 V / 5 A AC

[2] FREQUENCY

- 1: 50 Hz
- 2: 60 Hz

[3] OUTPUT SIGNAL POLARITY

- P: Negative in lag, positive in lead
- M: Negative in lead, positive in lag

[4] OUTPUT

Current

- A: 4 - 20 mA DC (Load resistance 600 Ω max.)
- B: 2 - 10 mA DC (Load resistance 1200 Ω max.)
- C: 1 - 5 mA DC (Load resistance 2400 Ω max.)
- D: 0 - 20 mA DC (Load resistance 600 Ω max.)
- E: 0 - 16 mA DC (Load resistance 750 Ω max.)
- F: 0 - 10 mA DC (Load resistance 1200 Ω max.)
- G: 0 - 1 mA DC (Load resistance 12 kΩ max.)
- GW: -1 - +1 mA DC (Load resistance 10 kΩ max.)
- Z: Specify current (See OUTPUT SPECIFICATIONS)

Voltage

- 1: 0 - 10 mV DC (Load resistance 10 kΩ min.)
- 2: 0 - 100 mV DC (Load resistance 100 kΩ min.)
- 3: 0 - 1 V DC (Load resistance 1000 Ω min.)
- 4: 0 - 10 V DC (Load resistance 10 kΩ min.)
- 5: 0 - 5 V DC (Load resistance 5000 Ω min.)
- 6: 1 - 5 V DC (Load resistance 5000 Ω min.)
- 1W: -10 - +10 mV DC (Load resistance 10 kΩ min.)
- 2W: -100 - +100 mV DC (Load resistance 100 kΩ min.)
- 3W: -1 - +1 V DC (Load resistance 1000 Ω min.)
- 4W: -10 - +10 V DC (Load resistance 10 kΩ min.)
- 5W: -5 - +5 V DC (Load resistance 5000 Ω min.)
- 0: Specify voltage (See OUTPUT SPECIFICATIONS)

[5] AUXILIARY POWER SUPPLY

AC Power

- B: 100 V AC
- C: 110 V AC
- D: 115 V AC
- F: 120 V AC
- G: 200 V AC
- H: 220 V AC
- J: 240 V AC

DC Power

- R: 24 V DC
- V: 48 V DC
- P: 110 V DC

[6] OPTIONS

- blank: none
- /Q: With options (specify the specification)

SPECIFICATIONS OF OPTION: Q (multiple selections)

COATING (For the detail, refer to our web site.)

/C01: Silicone coating

/C02: Polyurethane coating
 /C03: Rubber coating
 TERMINAL SCREW MATERIAL
 /S01: Stainless steel

GENERAL SPECIFICATIONS

Construction: Plug-in
Connection: M3.5 screw terminals
Screw terminal: Chromated steel (standard) or stainless steel
Housing material: Flame-resistant resin (black)
Isolation: Voltage input to current input to output to auxiliary power
Computation: Phase angle detection
Overrange output: Approx. -10 to +120 % at 1 - 5 V
Zero adjustment: -5 to +5 % (front)
Span adjustment: 95 to 105 % (front)

INPUT SPECIFICATIONS

INPUT

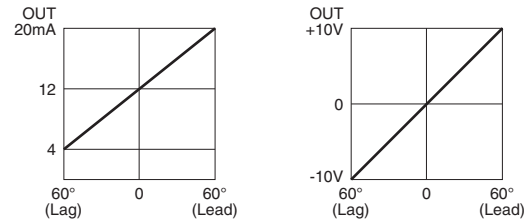
Frequency: 50 or 60 Hz
 • **Voltage Input**
Input burden: 0.5 VA
Operational range: 85 - 120 % of rating
Overload capacity: 150 % of rating for 10 sec., 120 % continuous
 • **Current Input**
Input burden: 0.1 VA (input 1 A)
 0.5 VA (input 5 A)
Operational range: 10 - 120 % of rating
Overload capacity: 1000 % of rating for 3 sec., 200 % for 10 sec., 120 % continuous
 ■ **Input range:**
 Lag 60° - 0 - lead 60°
 Lead 60° - 0 - lag 60°

OUTPUT SPECIFICATIONS

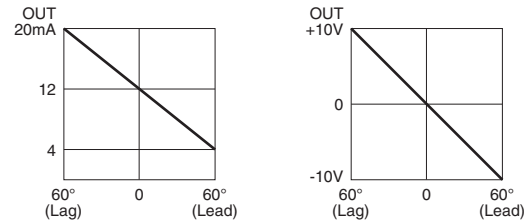
■ **DC Current:** 0 - 20 mA DC and ± 1 mA
Minimum span: 1 mA
Offset: Max. 1.5 times span
Load resistance: Output drive 12 V max.
 ■ **DC Voltage:** -10 - +12 V DC
Minimum span: 5 mV
Offset: Max. 1.5 times span
Load resistance: Output drive 1 mA max. at ≥ 0.5 V

OPERATION DIAGRAM (example)

• Negative in lag, positive in lead



• Negative in lead, positive in lag



Note: When there is no input voltage or 5% or less of the rated input current, the transducer output equals approximately to '0' (phase angle).

INSTALLATION

Auxiliary power supply

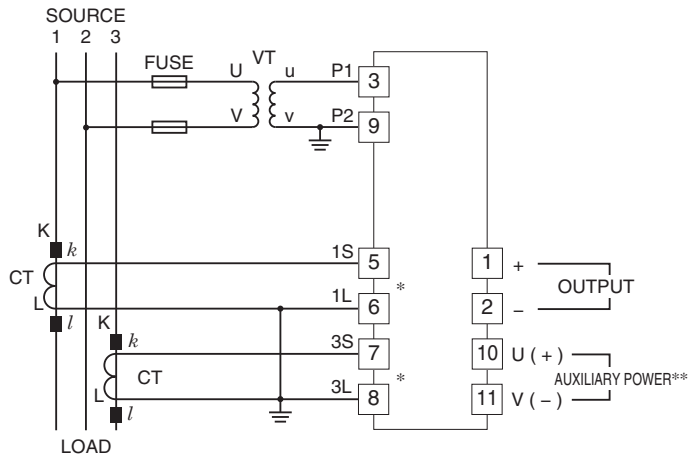
• **AC:** Operational voltage range: rating -15/+10 %, 50/60 Hz, approx. 2 VA
 • **DC:** Operational voltage range: rating ± 10 %, or 85 - 150 V for 110 V rating, ripple 10 %p-p max., approx. 2 W (18 mA at 110 V)
Operating temperature: -10 to +55°C (14 to 131°F)
Operating humidity: 30 to 85 %RH (non-condensing)
Mounting: Surface or DIN rail
Weight: 450 g (0.99 lb)

PERFORMANCE in percentage of span

Accuracy: ± 2 % (at 23°C $\pm 10^\circ$ C or 73.4°F $\pm 18^\circ$ F, at rated frequency ± 5 %)
Response time: ≤ 2 sec. (0 - 100 % ± 1 %)
Ripple: 0.5 %p-p max.
Line voltage effect: ± 0.1 % over voltage range
Insulation resistance: ≥ 100 M Ω with 500 V DC
Dielectric strength: 2000 V AC @ 1 minute (voltage input to current input to output to auxiliary power to ground)
Impulse withstand voltage: 1.2 / 50 μ sec., ± 5 kV (input to output or ground)

CONNECTION DIAGRAM

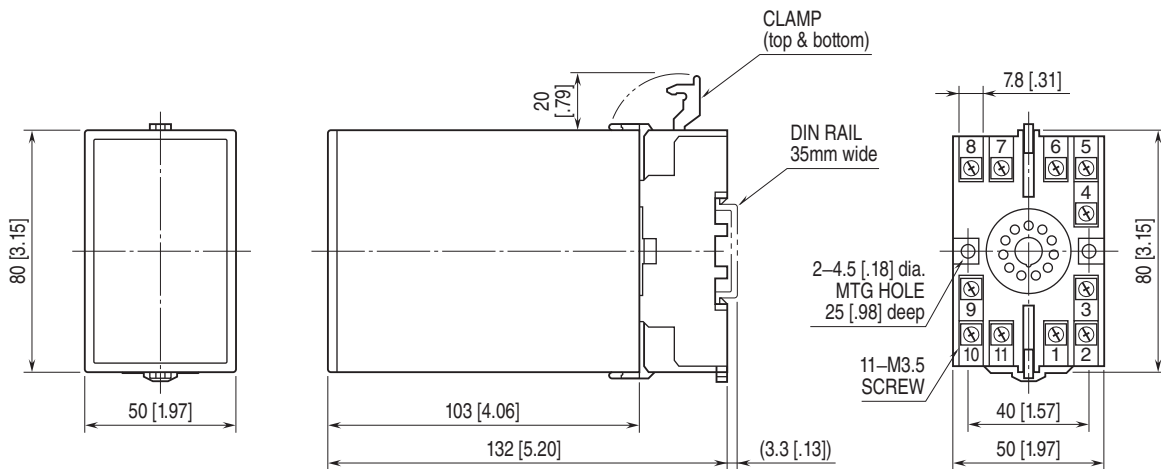
■ 3-PHASE/3-WIRE



*CT Protector (model: CTM) attached to these terminals.

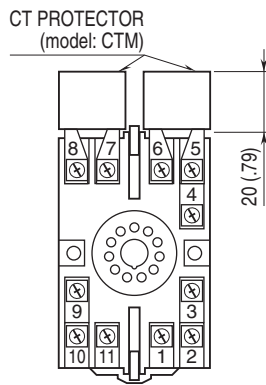
**The transducer can be powered from the input voltage when the voltage is sufficiently stable and meets within the range of auxiliary power supply of the unit specified in the data sheet/instruction manual.

EXTERNAL DIMENSIONS unit: mm [inch]



• When mounting, no extra space is needed between units.

TERMINAL ASSIGNMENTS unit: mm [inch]



Specifications are subject to change without notice.