

## Plug-in Signal Conditioners K-UNIT

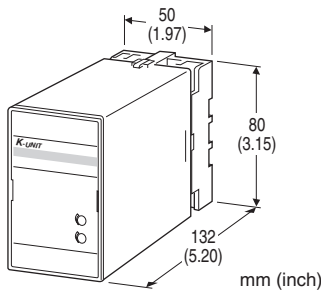
### WATT TRANSDUCER

#### Functions & Features

- Providing a DC output signal in proportion to AC active power
- Measuring bidirectional power flow
- DC output containing little ripple is ideal for computer input
- "Time division multiplication" method accepts distorted waveforms
- Isolation up to 2000 V AC
- High-density mounting

#### Typical Applications

- Centralized monitoring and control of power management system in a manufacturing facility or building
- SCR - Silicon Controlled Rectifier



### MODEL: KEWT-[1][2][3]-[4][5]

#### ORDERING INFORMATION

- Code number: KEWT-[1][2][3]-[4][5]
- Specify a code from below for each of [1] through [5].  
(e.g. KEWT-11A-C/Q)
- Calibration range (e.g. -750 - +750 W)
  - VT ratio, CT ratio (e.g. VT 3300 / 110 V, CT 250 / 5 A)
  - Special output range (For codes Z & 0)
  - Specify the specification for option code /Q  
(e.g. /C01/S01)

#### [1] CONFIGURATION

- 1: 3-phase / 3-wire
- 2: Single-phase / 2-wire
- 3: Single-phase / 3-wire

#### [2] INPUT (unbalanced load)

- 1: 110 V / 5 A AC
- 2: 110 V / 1 A AC
- 3: 220 V / 1 A AC

4: 220 V / 5 A AC

A: 100 V / 200 V / 1 A AC (single-phase / 3- wire)

B: 100 V / 200 V / 5 A AC (single-phase / 3- wire)

#### [3] OUTPUT

Current

A: 4 - 20 mA DC (Load resistance 600  $\Omega$  max.)

B: 2 - 10 mA DC (Load resistance 1200  $\Omega$  max.)

C: 1 - 5 mA DC (Load resistance 2400  $\Omega$  max.)

D: 0 - 20 mA DC (Load resistance 600  $\Omega$  max.)

E: 0 - 16 mA DC (Load resistance 750  $\Omega$  max.)

F: 0 - 10 mA DC (Load resistance 1200  $\Omega$  max.)

G: 0 - 1 mA DC (Load resistance 12 k $\Omega$  max.)

J: 0 - 5 mA DC (Load resistance 2400  $\Omega$  max.)

GW: -1 - +1 mA DC (Load resistance 10 k $\Omega$  max.)

Z: Specify current (See OUTPUT SPECIFICATIONS)

Voltage

1: 0 - 10 mV DC (Load resistance 10 k $\Omega$  min.)

2: 0 - 100 mV DC (Load resistance 100 k $\Omega$  min.)

3: 0 - 1 V DC (Load resistance 1000  $\Omega$  min.)

4: 0 - 10 V DC (Load resistance 10 k $\Omega$  min.)

5: 0 - 5 V DC (Load resistance 5000  $\Omega$  min.)

6: 1 - 5 V DC (Load resistance 5000  $\Omega$  min.)

1W: -10 - +10 mV DC (Load resistance 10 k $\Omega$  min.)

2W: -100 - +100 mV DC (Load resistance 100 k $\Omega$  min.)

3W: -1 - +1 V DC (Load resistance 1000  $\Omega$  min.)

4W: -10 - +10 V DC (Load resistance 10 k $\Omega$  min.)

5W: -5 - +5 V DC (Load resistance 5000  $\Omega$  min.)

0: Specify voltage (See OUTPUT SPECIFICATIONS)

#### [4] AUXILIARY POWER SUPPLY

AC Power

B: 100 V AC

C: 110 V AC

D: 115 V AC

F: 120 V AC

G: 200 V AC

H: 220 V AC

J: 240 V AC

DC Power

R: 24 V DC

V: 48 V DC

P: 110 V DC

#### [5] OPTIONS (multiple selections)

Custom specification

(Refer to the custom specification list for difference of specification and combination of code numbers.)

**blank:** none

**/X1:** Input range

Other Options

blank: none

/Q: Option other than the above (specify the specification)

## SPECIFICATIONS OF OPTION: Q (multiple selections)

COATING (For the detail, refer to our web site.)

/C01: Silicone coating

/C02: Polyurethane coating

/C03: Rubber coating

TERMINAL SCREW MATERIAL

/S01: Stainless steel

## GENERAL SPECIFICATIONS

Construction: Plug-in

Connection: M3.5 screw terminals

Screw terminal: Chromated steel (standard) or stainless steel

Housing material: Flame-resistant resin (black)

Isolation: Voltage input to current input to output to auxiliary power

Computation: Time division multiplication

Overrange output: Approx. -10 to +120 % at 1 - 5 V

Zero adjustment: -5 to +5 % (front)

Span adjustment: 95 to 105 % (front)

## INPUT SPECIFICATIONS

Frequency: 50 or 60 Hz

### • Voltage Input

Operational range: 0 - 120 % of rating

Overload capacity: 150 % of rating for 10 sec., 120 % continuous

### • Current Input

Operational range: 0 - 120 % of rating

Overload capacity: 1000 % of rating for 3 sec., 200 % for 10 sec., 120% continuous

### ■ How To Determine Wattage Range

Calibration Range [W] = (Measuring Wattage) ÷ ((VT Ratio) × (CT Ratio))

Check that the required calibration range is within the available range in the table.

[example]

3-phase / 3-wire, measuring wattage 750 kW,

VT 3300 / 110 V, CT 250 / 5 A

$(750 \times 10^3 [W]) \div ((3300 \div 110) \times (250 \div 5)) = 0 - 500 [W]$

## ■ INPUT RANGE

### • 3-phase / 3-wire

INPUT		AVAILABLE RANGE	BURDEN (VA)	
	STD.RANGE		VOLT.	CURR.
110V/1A	±200 W	±100 - ±240 W	0.2 /phase	0.1/ph
110V/5A	±1000 W	±500 - ±1200 W		0.5/ph
220V/1A	±400 W	±200 - ±480 W	0.4 /phase	0.1/ph
220V/5A	±2000 W	±1000 - ±2400 W		0.5/ph

### • Single-phase / 2-wire

INPUT		AVAILABLE RANGE	BURDEN (VA)	
	STD.RANGE		VOLT.	CURR.
110V/1A	±100 W	±50 - ±120 W	0.2	0.1
110V/5A	±500 W	±250 - ±600 W		0.5
220V/1A	±200 W	±100 - ±240 W	0.4	0.1
220V/5A	±1000 W	±500 - ±1200 W		0.5

### • Single-phase / 3-wire

INPUT		AVAILABLE RANGE	BURDEN (VA)	
	STD.RANGE		VOLT.	CURR.
200V/1A	±200 W	±100 - ±240 W	0.2 /phase	0.1/ph
200V/5A	±1000 W	±500 - ±1200 W		0.5/ph

## OUTPUT SPECIFICATIONS

■ DC Current: 0 - 20 mA DC and ± 1 mA

Minimum span: 1 mA

Offset: Max. 1.5 times span

Load resistance: Output drive 12 V max.

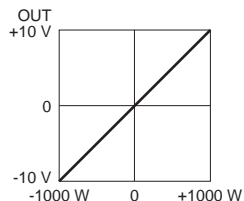
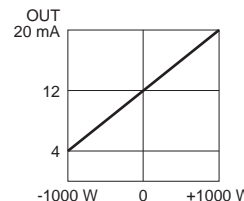
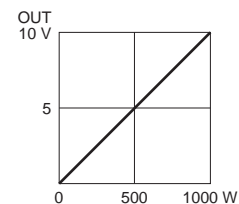
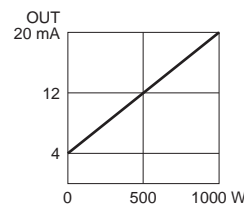
■ DC Voltage: -10 - +12 V DC

Minimum span: 5 mV

Offset: Max. 1.5 times span

Load resistance: Output drive 1 mA max. at ≥ 0.5 V

### ■ OPERATION DIAGRAM (example)



## INSTALLATION

### Auxiliary power supply

• AC: Operational voltage range: rating -15/+10 %, 50/60 Hz, approx. 2 VA

• DC: Operational voltage range: rating ±10 %, or 85 - 150 V for 110 V rating, ripple 10 %p-p max.,

approx. 2 W (18 mA at 110 V)

**Operating temperature:** -10 to +55°C (14 to 131°F)

**Operating humidity:** 30 to 85 %RH (non-condensing)

**Mounting:** Surface or DIN rail

**Weight:** 450 g (0.99 lb)

## PERFORMANCE in percentage of span

**Accuracy:**  $\pm 0.5\%$  (at 23°C  $\pm 10^\circ\text{C}$  or 73.4°F  $\pm 18^\circ\text{F}$ , 45 - 65 Hz)

**Response time:**  $\leq 2$  sec. (0 - 100 %  $\pm 1\%$ )

**Ripple:** 0.5 %p-p max. (The output ripple may increase when there is great difference between the frequencies of input signal and power supply)

**Line voltage effect:**  $\pm 0.1\%$  over voltage range

**Insulation resistance:**  $\geq 100\ \text{M}\Omega$  with 500 V DC

**Dielectric strength:** 2000 V AC @ 1 minute

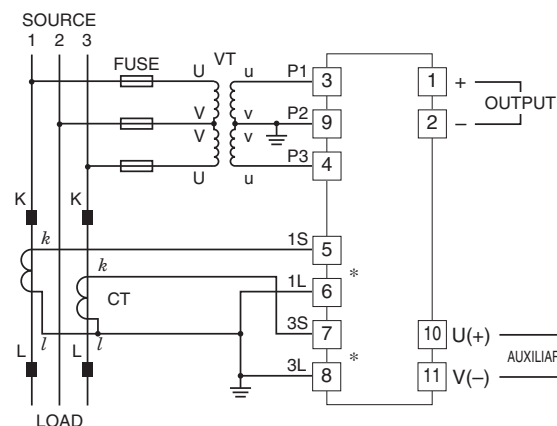
(voltage input to current input to output to auxiliary power to ground)

**Impulse withstand voltage:** 1.2 / 50  $\mu\text{sec.}$ ,  $\pm 5\ \text{kV}$

(input to output or ground)

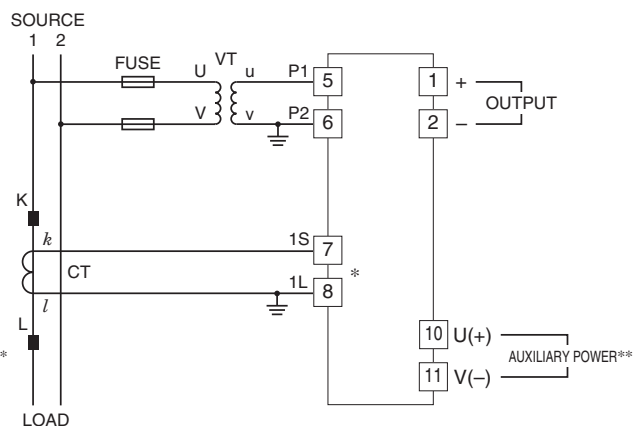
## CONNECTION DIAGRAM

### 3-PHASE/3-WIRE



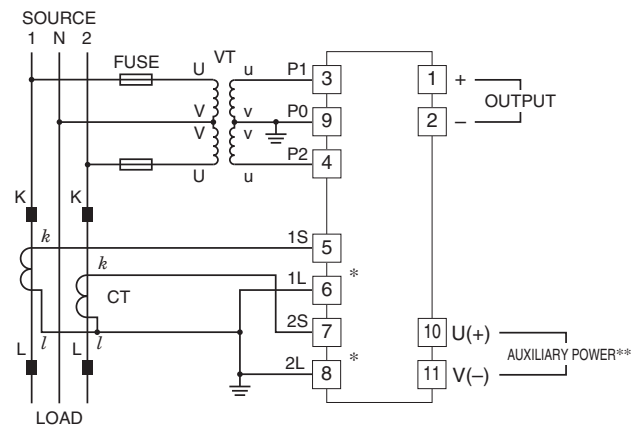
\*CT Protector (model: CTM) attached to these terminals.

### SINGLE-PHASE/2-WIRE



\*CT Protector (model: CTM) attached to these terminals.

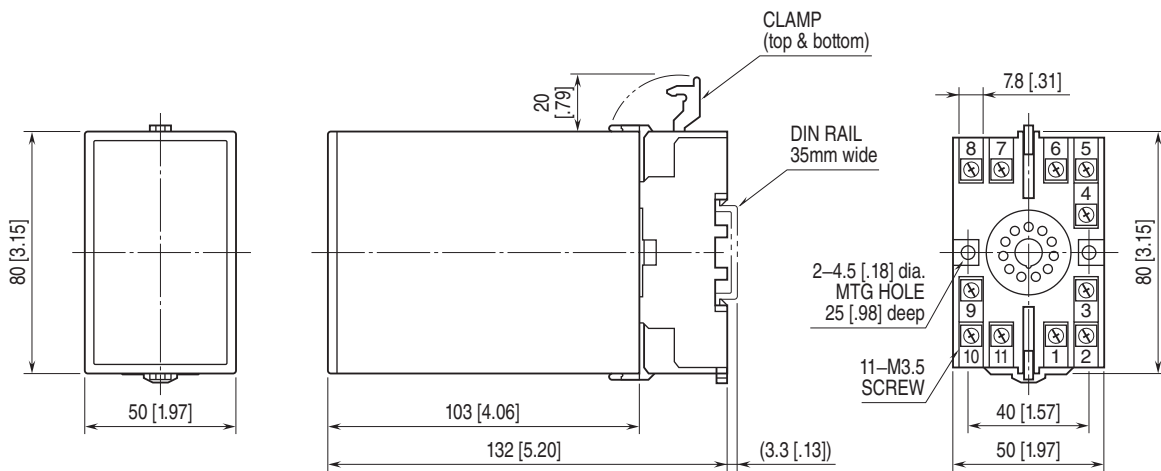
### SINGLE-PHASE/3-WIRE



\*CT Protector (model: CTM) attached to these terminals.

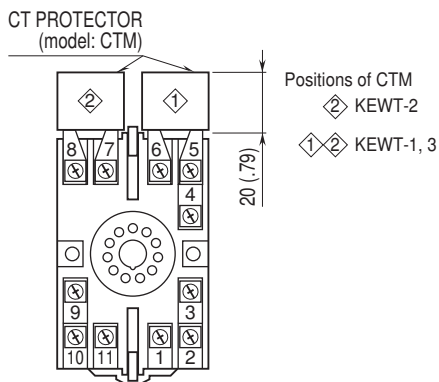
\*\*The transducer can be powered from the input voltage when the voltage is sufficiently stable and meets within the range of auxiliary power supply of the unit specified in the data sheet/instruction manual.

## EXTERNAL DIMENSIONS unit: mm [inch]



• When mounting, no extra space is needed between units.

## TERMINAL ASSIGNMENTS unit: mm [inch]



Specifications are subject to change without notice.

---

**CUSTOM SPECIFICATION LIST**

Refer to the following pages for each detailed custom specification.

**Custom specification:** Option /X1

■ Major specification changes

Input 0%: -65 - 0 % of input 100% (W)

## CUSTOM SPECIFICATION : OPTION /X1

### Major specification changes

Input 0%: -65 - 0 % of input 100% (W)

## MODEL: KEWT-[1][2][3]-[4][5]

Same as standard specification (without customization) except followings.

Refer to standard specification pages.

## ORDERING INFORMATION

- Code number: KEWT-[1][2][3]-[4][5]

For each of [1] through [5] same code as standard specification is available.

Be sure to specify /X1 of option [5].

(e.g. KEWT-11A-C/X1/Q)

Refer to standard specification pages.

## SPECIFICATION CHANGES

### ■ Input specifications

- Available input range

The value for 0% is within -65 - 0 % of input 100%.

e.g. Input range: -75 to 1000 [W]

$-75 [W] \div 1000 [W] \times 100 = -7.5 [\%]$

### ■ OPERATION DIAGRAM (example)

