

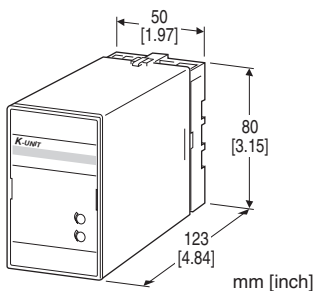
Plug-in Signal Conditioners K-UNIT

RATIO TRANSMITTER

(input bias, isolated)

Functions & Features

- Providing precise matching of DC control signals to final control elements in open-or closed-loop systems
- Positive and negative ratio range
- Ratio adjustable from 0.1 to 4.0
- Bias adjustable within $\pm 100\%$
- Isolation up to 2000 V AC
- High-density mounting



MODEL: KRTBS-[1][2][3]-[4][5]

ORDERING INFORMATION

- Code number: KRTBS-[1][2][3]-[4][5]
- Specify a code from below for each of [1] through [5].
(e.g. KRTBS-16A-B/Q)
- Special input and output ranges (For codes Z & O)
 - Specify the specification for option code /Q
(e.g. /C01/S01)

[1] RATIO RANGE

- 1: Positive 0.1 - 1.1
- 2: Positive 0.5 - 1.5
- 3: Positive 0.2 - 2.2
- 4: Positive 0.5 - 4.0
- 6: Negative -0.1 - -1.1
- 7: Negative -0.5 - -1.5
- 8: Negative -0.2 - -2.2
- 9: Negative -0.5 - -4.0

[2] INPUT

Current

- A: 4 - 20 mA DC (Input resistance 250 Ω)
- A1: 4 - 20 mA DC (Input resistance 50 Ω)
- B: 2 - 10 mA DC (Input resistance 500 Ω)
- C: 1 - 5 mA DC (Input resistance 1000 Ω)

- D: 0 - 20 mA DC (Input resistance 50 Ω)
 - E: 0 - 16 mA DC (Input resistance 62.5 Ω)
 - F: 0 - 10 mA DC (Input resistance 100 Ω)
 - G: 0 - 1 mA DC (Input resistance 1000 Ω)
 - H: 10 - 50 mA DC (Input resistance 100 Ω)
 - J: 0 - 10 μ A DC (Input resistance 1000 Ω)
 - K: 0 - 100 μ A DC (Input resistance 1000 Ω)
 - GW: -1 - +1 mA DC (Input resistance 1000 Ω)
 - FW: -10 - +10 mA DC (Input resistance 100 Ω)
 - Z: Specify current (See INPUT SPECIFICATIONS)
- Voltage
- 1: 0 - 10 mV DC (Input resistance 10 k Ω min.)
 - 15: 0 - 50 mV DC (Input resistance 10 k Ω min.)
 - 16: 0 - 60 mV DC (Input resistance 10 k Ω min.)
 - 2: 0 - 100 mV DC (Input resistance 100 k Ω min.)
 - 3: 0 - 1 V DC (Input resistance 1 M Ω min.)
 - 4: 0 - 10 V DC (Input resistance 1 M Ω min.)
 - 5: 0 - 5 V DC (Input resistance 1 M Ω min.)
 - 6: 1 - 5 V DC (Input resistance 1 M Ω min.)
 - 4W: -10 - +10 V DC (Input resistance 1 M Ω min.)
 - 5W: -5 - +5 V DC (Input resistance 1 M Ω min.)
 - O: Specify voltage (See INPUT SPECIFICATIONS)

[3] OUTPUT

Current

- A: 4 - 20 mA DC (Load resistance 750 Ω max.)
- B: 2 - 10 mA DC (Load resistance 1500 Ω max.)
- C: 1 - 5 mA DC (Load resistance 3000 Ω max.)
- D: 0 - 20 mA DC (Load resistance 750 Ω max.)
- E: 0 - 16 mA DC (Load resistance 900 Ω max.)
- F: 0 - 10 mA DC (Load resistance 1500 Ω max.)
- G: 0 - 1 mA DC (Load resistance 15 k Ω max.)
- Z: Specify current (See OUTPUT SPECIFICATIONS)

Voltage

- 1: 0 - 10 mV DC (Load resistance 10 k Ω min.)
- 2: 0 - 100 mV DC (Load resistance 100 k Ω min.)
- 3: 0 - 1 V DC (Load resistance 100 Ω min.)
- 4: 0 - 10 V DC (Load resistance 1000 Ω min.)
- 5: 0 - 5 V DC (Load resistance 500 Ω min.)
- 6: 1 - 5 V DC (Load resistance 500 Ω min.)
- 4W: -10 - +10 V DC (Load resistance 2000 Ω min.)
- 5W: -5 - +5 V DC (Load resistance 1000 Ω min.)
- O: Specify voltage (See OUTPUT SPECIFICATIONS)

[4] POWER INPUT

AC Power

- B: 100 V AC
- C: 110 V AC
- D: 115 V AC
- F: 120 V AC
- G: 200 V AC

H: 220 V AC
 J: 240 V AC
 DC Power
 S: 12 V DC
 R: 24 V DC

[5] OPTIONS

blank: none

/Q: With options (specify the specification)

SPECIFICATIONS OF OPTION: Q (multiple selections)

COATING (For the detail, refer to our web site.)

/C01: Silicone coating

/C02: Polyurethane coating

/C03: Rubber coating

TERMINAL SCREW MATERIAL

/S01: Stainless steel

GENERAL SPECIFICATIONS

Construction: Plug-in

Connection: M3.5 screw terminals

Screw terminal: Chromated steel (standard) or stainless steel

Housing material: Flame-resistant resin (black)

Isolation: Input to output to power

Overrange output: Approx. -10 to +120 % at 1 - 5 V

Bias adjustment: -100 - +100 % (front)

Equation: $X_o = K(X_i + B)$ for positive ratio (factory setting: $K = 1, B = 0$ %);

$X_o = K(X_i + B) + 100$ % for negative ratio (factory setting:

$K = -1, B = 0$ %)

where

X_o : output (%)

X_i : input (%)

K : ratio

B : bias

(-100 - +100 %; added to the input)

INPUT SPECIFICATIONS

■ **DC Current:**

Shunt resistor attached to the input terminals (0.5 W)

Specify input resistance value for code Z.

■ **DC Voltage:** -300 - +300 V DC

Minimum span: 3 mV

Offset: Max. 1.5 times span

Input resistance

Span 3 - 10 mV : ≥ 10 k Ω

Span 10 - 100 mV : ≥ 10 k Ω

Span 0.1 - 1 V : ≥ 100 k Ω

Span ≥ 1 V : ≥ 1 M Ω

OUTPUT SPECIFICATIONS

■ **DC Current:** 0 - 20 mA DC

Minimum span: 1 mA

Offset: Max. 1.5 times span

Load resistance: Output drive 15 V max.

■ **DC Voltage:** -10 - +12 V DC

Minimum span: 5 mV

Offset: Max. 1.5 times span

Load resistance: Output drive 10 mA max.; 5 mA for negative voltage output; at ≥ 0.5 V

INSTALLATION

Power input

• **AC:** Operational voltage range: rating ± 10 %, 50/60 ± 2 Hz, approx. 2 VA

• **DC:** Operational voltage range: rating ± 10 % ripple 10 %p-p max., approx. 2.6 W (110 mA at 24 V)

Operating temperature: -5 to +55°C (23 to 131°F)

Operating humidity: 30 to 90 %RH (non-condensing)

Mounting: Surface or DIN rail

Weight: 400 g (0.88 lb)

PERFORMANCE in percentage of span

Accuracy: ± 0.2 % (with ratio = 1, bias = 0 %)

Temp. coefficient: ± 0.02 %/°C (± 0.01 %/°F)

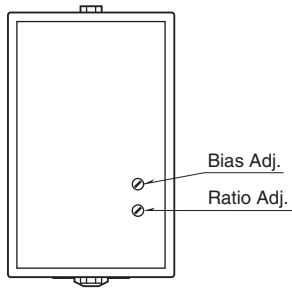
Response time: ≤ 0.5 sec. (0 - 90 %)

Line voltage effect: ± 0.1 % over voltage range

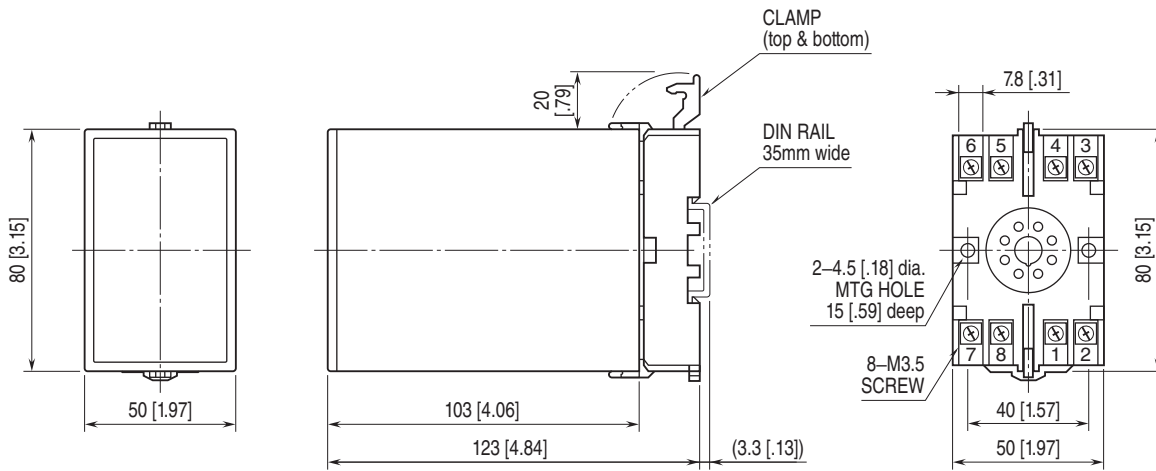
Insulation resistance: ≥ 100 M Ω with 500 V DC

Dielectric strength: 2000 V AC @1 minute (input to output to power to ground)

EXTERNAL VIEW

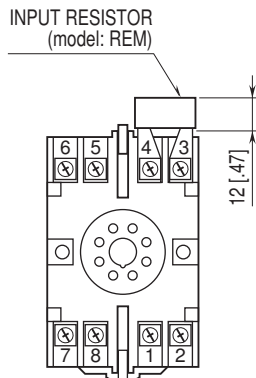


EXTERNAL DIMENSIONS unit: mm [inch]



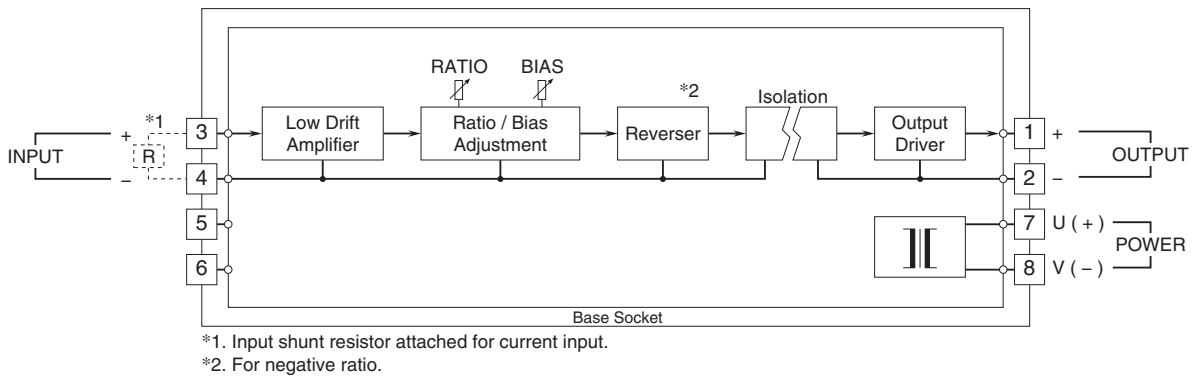
• When mounting, no extra space is needed between units.

TERMINAL ASSIGNMENTS unit: mm [inch]



Input shunt resistor attached for current input.

SCHEMATIC CIRCUITRY & CONNECTION DIAGRAM



Specifications are subject to change without notice.