

Plug-in Signal Conditioners K-UNIT

DC ALARM

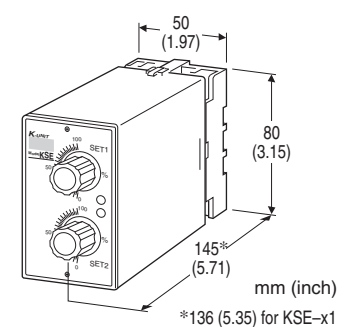
(dial adjustment)

Functions & Features

- Providing SPDT relay outputs at preset DC input levels
- Single or Dual (Hi/Lo) trip
- Large dial setpoint adjustments

Typical Applications

- Various alarm applications



MODEL: KSE-[1][2]-[3][4]

ORDERING INFORMATION

- Code number: KSE-[1][2]-[3][4]
- Specify a code from below for each of [1] through [4].
(e.g. KSE-A2-K3/Q)
- Specify the specification for option code /Q
(e.g. /C01/S01)

[1] INPUT

Current

A: 4 - 20 mA DC (Input resistance 250 Ω)

Voltage

6: 1 - 5 V DC (Input resistance 500 kΩ min.)

[2] OUTPUT

1: Single trip (Hi)

2: Dual trip (Hi/Lo)

[3] POWER INPUT

AC Power

K3: 100 - 120 V AC

(Operational voltage range 90 - 132 V, 47 - 66 Hz)

L3: 200 - 240 V AC

(Operational voltage range 180 - 264 V, 47 - 66 Hz)

[4] OPTIONS

blank: none

/Q: With options (specify the specification)

SPECIFICATIONS OF OPTION: Q (multiple selections)

COATING (For the detail, refer to our web site.)

/C01: Silicone coating

/C02: Polyurethane coating

/C03: Rubber coating

TERMINAL SCREW MATERIAL

/S01: Stainless steel

GENERAL SPECIFICATIONS

Construction: Plug-in

Connection: M3.5 screw terminals

Screw terminal: Chromated steel (standard) or stainless steel

Housing material: Flame-resistant resin (black)

Isolation: Input to output to power

Setpoint adjustments: Dials (front), -15 - +120 % independently; Scales at the front are for approximate aim only. Simulate input signals, confirm relay operation and set.

Hysteresis (deadband): Approx. 1 %

Front LEDs: Red LED turns on when the coil is energized.

INPUT SPECIFICATIONS

■ DC Current:

Shunt resistor attached to the input terminals (0.5 W)

OUTPUT SPECIFICATIONS

■ Relay Contact: 120 V AC @1 A (cos φ = 1)

(Limited within 0.5 A to conform with EU Directive)

240 V AC @0.5 A (cos φ = 1)

(Limited within 0.5 A to conform with EU Directive)

30 V DC @1 A (resistive load)

(Limited within 0.5 A to conform with EU Directive)

Maximum switching voltage: 380 V AC or 125 V DC

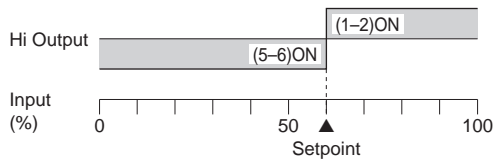
Maximum switching power: 120 VA or 30 W

Minimum load: 5 V DC @10 mA

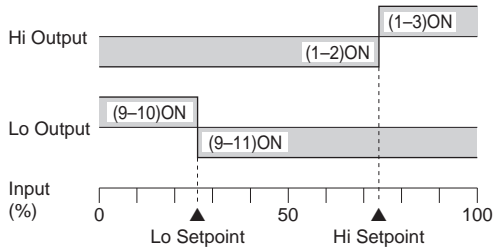
Mechanical life: 5 × 10⁷ cycles

Alarm Trip Operation Terminal No. in parentheses

•Output Code : 1



•Output Code : 2



Trip Operation in Power Failure

- Output Code 1 : Terminals 5 – 6 turn ON
- Output Code 2 : Terminals 1 – 2, 9 – 11 turn ON

INSTALLATION

Power consumption

- AC: Approx. 3 VA

Operating temperature: -5 to +55°C (23 to 131°F)

Operating humidity: 30 to 90 %RH (non-condensing)

Mounting: Surface or DIN rail

Weight: 310 g (0.68 lb)

PERFORMANCE in percentage of span

Trip point repeatability: ± 0.3 %

Temp. coefficient: ± 0.05 %/°C (± 0.03 %/°F)

Response time: ≤ 0.5 sec. (0 - 100 % at 90 % setpoint)

Line voltage effect: ± 0.1 % over voltage range

Insulation resistance: ≥ 100 M Ω with 500 V DC

Dielectric strength: 2000 V AC @1 minute

(input to output to power)

2000 V AC @1 minute

(input or output or power to ground)

STANDARDS & APPROVALS

EU conformity:

EMC Directive

EMI EN 61000-6-4

EMS EN 61000-6-2

Low Voltage Directive

EN 61010-1

Measurement Category II (output)

Installation Category II (power)

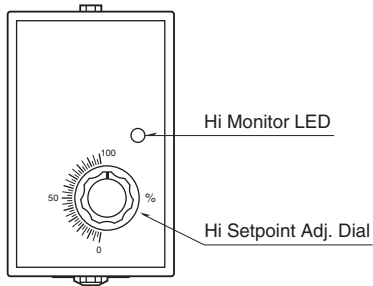
Pollution Degree 2

Input to output to power: Basic insulation (300 V)

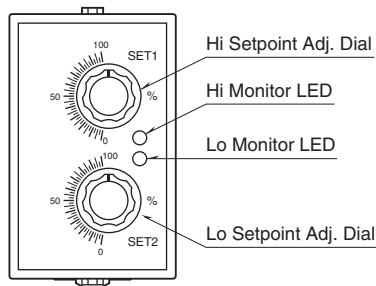
RoHS Directive

EXTERNAL VIEW

■ KSE-x1

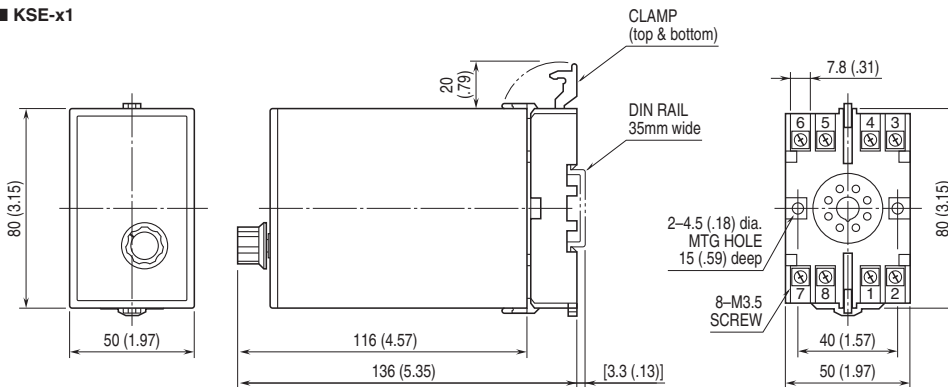


■ KSE-x2



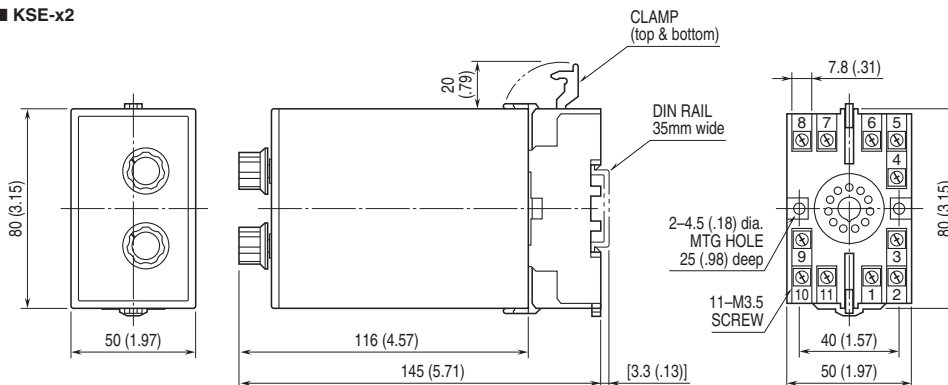
EXTERNAL DIMENSIONS unit: mm [inch]

■ KSE-x1



•When mounting, no extra space is needed between units.

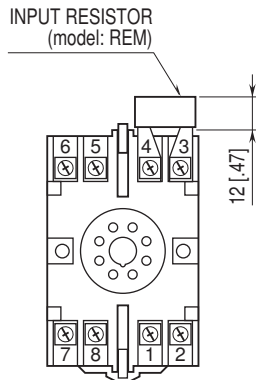
■ KSE-x2



•When mounting, no extra space is needed between units.

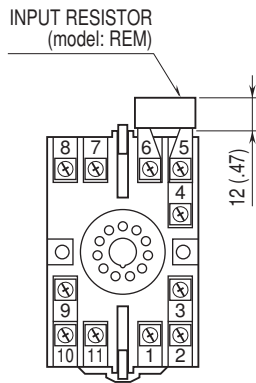
TERMINAL ASSIGNMENTS unit: mm [inch]

■KSE-x1



Input shunt resistor attached for current input.

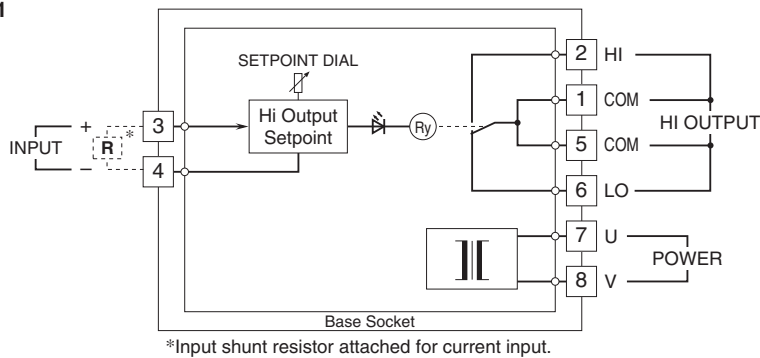
■KSE-x2



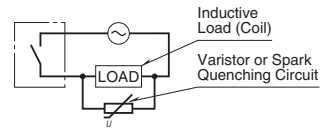
Input shunt resistor attached for current input.

SCHEMATIC CIRCUITRY & CONNECTION DIAGRAM

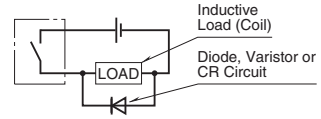
■KSE-x1



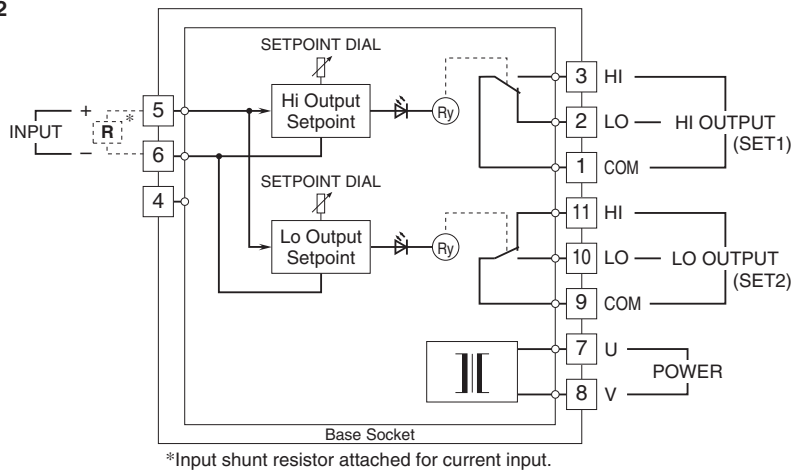
■Relay Protection •AC Powered



•DC Powered



■KSE-x2



Specifications are subject to change without notice.