

**Plug-in Signal Conditioners K-UNIT**

**ISOLATOR**

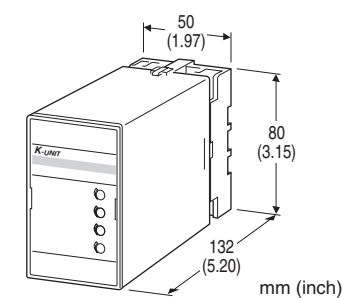
(two isolated outputs)

**Functions & Features**

- Standard instrumentation signal isolator with two outputs
- Isolation up to 2000 V AC
- High-density mounting

**Typical Applications**

- Isolation between control room and field instrumentation



**MODEL: KWYV-[1][2][3]-B[4]**

**ORDERING INFORMATION**

- Code number: KWYV-[1][2][3]-B[4]
- Specify a code from below for each of [1] through [4].  
(e.g. KWYV-6AA-B/Q)
- Specify the specification for option code /Q  
(e.g. /C01/S01)
- Note: When the user requires a current and a voltage output, specify the current to be the Output 1 which allows a greater load.

**[1] INPUT**

Current  
**A:** 4 - 20 mA DC (Input resistance 250 Ω)  
 Voltage  
**6:** 1 - 5 V DC (Input resistance 1 MΩ min.)

**[2] OUTPUT 1**

Current  
**A:** 4 - 20 mA DC (Load resistance 600 Ω max.)  
 Voltage  
**6:** 1 - 5 V DC (Load resistance 5000 Ω min.)

**[3] OUTPUT 2**

Current  
**A:** 4 - 20 mA DC (Load resistance 350 Ω max.)  
 Voltage  
**6:** 1 - 5 V DC (Load resistance 5000 Ω min.)

**POWER INPUT**

AC Power  
**B:** 100 V AC

**[4] OPTIONS**

**blank:** none  
**/Q:** With options (specify the specification)

**SPECIFICATIONS OF OPTION: Q (multiple selections)**

- COATING (For the detail, refer to our web site.)
- /C01: Silicone coating
  - /C02: Polyurethane coating
  - /C03: Rubber coating
- TERMINAL SCREW MATERIAL
- /S01: Stainless steel

**GENERAL SPECIFICATIONS**

- Construction:** Plug-in  
**Connection:** M3.5 screw terminals  
**Screw terminal:** Chromated steel (standard) or stainless steel  
**Housing material:** Flame-resistant resin (black)  
**Isolation:** Input to output 1 to output 2 to power  
**Overrange output:** Approx. -10 to +120 % at 1 - 5 V  
**Zero adjustment:** -5 to +5 % (front)  
**Span adjustment:** 95 to 105 % (front)  
 Adjustable individually for each output 1 and output 2.

**INPUT SPECIFICATIONS**

- **DC Current:**  
 Shunt resistor attached to the input terminals (0.5 W)

**INSTALLATION**

- Power input**
- **AC:** Operational voltage range: rating ±10 %, 50/60 ±2 Hz, approx. 3 VA
  - Operating temperature:** -5 to +55°C (23 to 131°F)
  - Operating humidity:** 30 to 90 %RH (non-condensing)
  - Mounting:** Surface or DIN rail
  - Weight:** 400 g (0.88 lb)

## PERFORMANCE in percentage of span

Accuracy:  $\pm 0.1\%$

Temp. coefficient:  $\pm 0.02\%/^{\circ}\text{C}$  ( $\pm 0.01\%/^{\circ}\text{F}$ )

Response time:  $\leq 0.5$  sec. (0 - 90 %)

Line voltage effect:  $\pm 0.1\%$  over voltage range

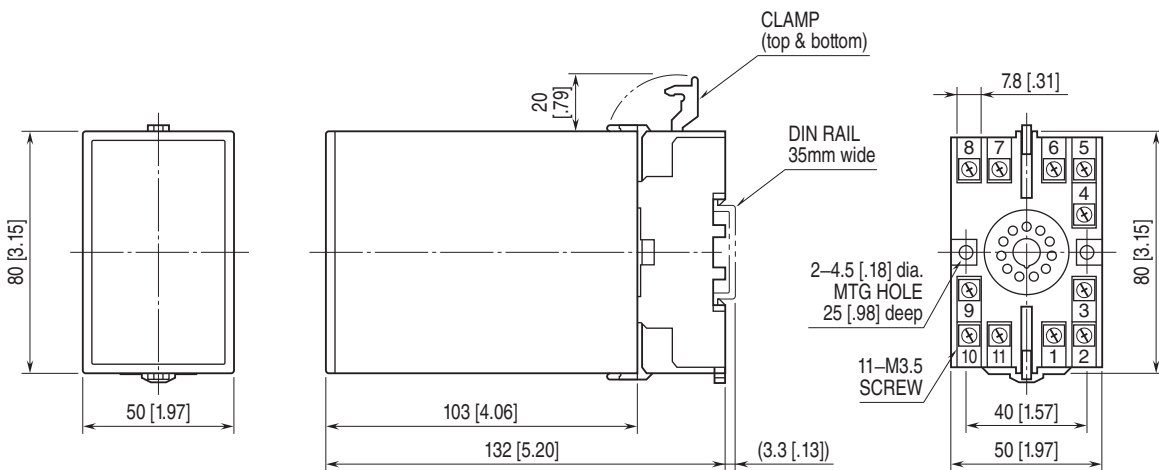
Insulation resistance:  $\geq 100\text{ M}\Omega$  with 500 V DC

Dielectric strength: 2000 V AC @1 minute

(input to output to power to ground)

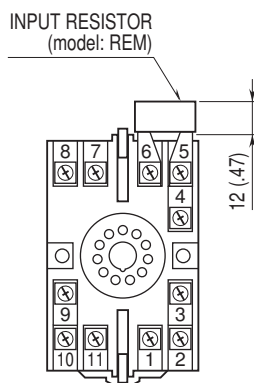
1000 V AC @ 1 minute (output 1 to output 2)

## EXTERNAL DIMENSIONS unit: mm [inch]



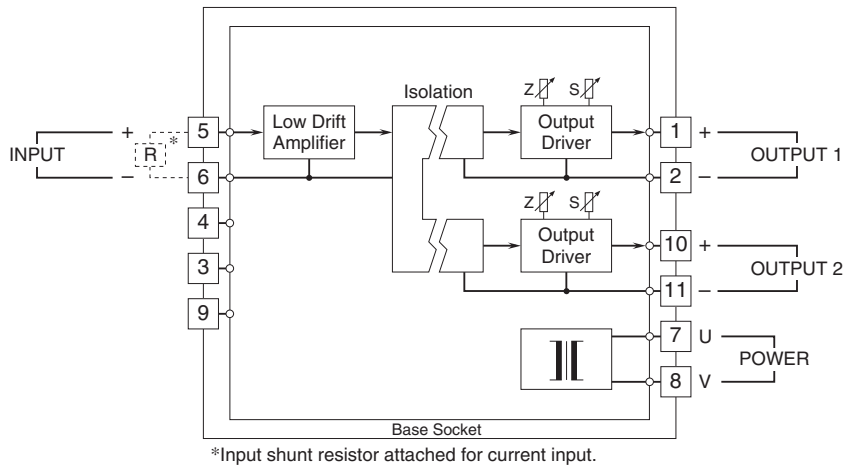
• When mounting, no extra space is needed between units.

## TERMINAL ASSIGNMENTS unit: mm [inch]



Input shunt resistor attached for current input.

**SCHEMATIC CIRCUITRY & CONNECTION DIAGRAM**



Specifications are subject to change without notice.