

## Power Transducer Series L-UNIT

### DUAL PT TRANSDUCER

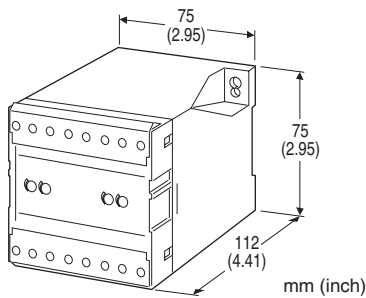
(Average sensing, RMS calibrated)

#### Functions & Features

- Converting an alternating voltage from a potential (voltage) transformer into a standard process signal
- 2 transducers housed in one enclosure
- Minimum ripple
- Isolation up to 2000 V AC
- High-density mounting

#### Typical Applications

- Centralized monitoring and control of power line and power supply voltages measured at switch boards
- Monitoring abnormal voltage drops for detecting overload



## MODEL: L2PA-[1][2]-[3][4]

### ORDERING INFORMATION

- Code number: L2PA-[1][2]-[3][4]
- Specify a code from below for each of [1] through [4].  
(e.g. L2PA-5A-C/Q)
- Special output range (For codes Z & 0)
  - Specify the specification for option code /Q  
(e.g. /C01/S01)

#### [1] INPUT

Voltage

- 5: 0 - 150 V AC
- 6: 0 - 300 V AC

#### [2] OUTPUT

Current

- A: 4 - 20 mA DC (Load resistance 500  $\Omega$  max.)
- D: 0 - 20 mA DC (Load resistance 500  $\Omega$  max.)
- E: 0 - 16 mA DC (Load resistance 625  $\Omega$  max.)
- F: 0 - 10 mA DC (Load resistance 1000  $\Omega$  max.)
- G: 0 - 1 mA DC (Load resistance 10 k $\Omega$  max.)

- J: 0 - 5 mA DC (Load resistance 2000  $\Omega$  max.)
  - Z: Specify current (See OUTPUT SPECIFICATIONS)
- Voltage
- 1: 0 - 10 mV DC (Load resistance 10 k $\Omega$  min.)
  - 2: 0 - 100 mV DC (Load resistance 100 k $\Omega$  min.)
  - 3: 0 - 1 V DC (Load resistance 1000  $\Omega$  min.)
  - 4: 0 - 10 V DC (Load resistance 10 k $\Omega$  min.)
  - 5: 0 - 5 V DC (Load resistance 5000  $\Omega$  min.)
  - 6: 1 - 5 V DC (Load resistance 5000  $\Omega$  min.)
  - 0: Specify voltage (See OUTPUT SPECIFICATIONS)

### [3] AUXILIARY POWER SUPPLY

AC Power

- B: 100 V AC
  - C: 110 V AC
  - D: 115 V AC
  - F: 120 V AC
  - G: 200 V AC
  - H: 220 V AC
  - J: 240 V AC
- DC Power
- R: 24 V DC
  - V: 48 V DC

### [4] OPTIONS

- blank: none
- /Q: With options (specify the specification)

### SPECIFICATIONS OF OPTION: Q (multiple selections)

- COATING (For the detail, refer to our web site.)
- /C01: Silicone coating
  - /C02: Polyurethane coating
  - /C03: Rubber coating
- TERMINAL SCREW MATERIAL
- /S01: Stainless steel

### GENERAL SPECIFICATIONS

- Construction:** Stand-alone; terminal access at the front
- Connection:** M3.5 screw terminals (torque 0.8 N·m)
- Screw terminal:** Nickel-plated steel (standard) or stainless steel
- Housing material:** Flame-resistant resin (black)
- Isolation:** Input to output to auxiliary power, between channels
- Input waveform:** Sine wave
- Overrange output:** 0 to 120 % at 1 - 5 V
- Zero adjustment:** -5 to +5 % (front)
- Span adjustment:** 95 to 105 % (front)

**INPUT SPECIFICATIONS**

**Frequency:** 50 or 60 Hz

**Input burden:** 0.3 VA per channel

**Overload capacity:** 150 % of rating for 10 sec., 120 % continuous

**Operational range:** 0 - 120 % of rating

**OUTPUT SPECIFICATIONS**

■ **DC Current:** 0 - 20 mA DC

**Minimum span:** 1 mA

**Offset:** Max. 1.5 times span

**Load resistance:** Output drive 10 V max.

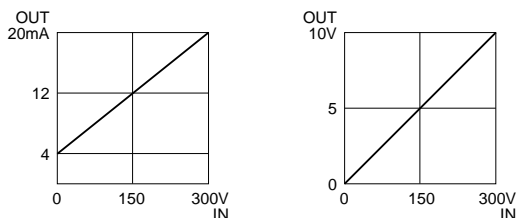
■ **DC Voltage:** 0 - 12 V DC

**Minimum span:** 5 mV

**Offset:** Max. 1.5 times span

**Load resistance:** Output drive 1 mA max.; at  $\geq 0.5$  V

■ **OPERATION DIAGRAM (example)**

**INSTALLATION****Auxiliary power supply**

• **AC:** Operational voltage range: rating  $-15/+10$  %, 50/60 Hz, approx. 3 VA

• **DC:** Operational voltage range: rating  $\pm 10$  % ripple 10 %p-p max., approx. 3 W (125 mA at 24 V)

**Operating temperature:**  $-10$  to  $+55^{\circ}\text{C}$  ( $14$  to  $131^{\circ}\text{F}$ )

**Operating humidity:** 30 to 85 %RH (non-condensing)

**Mounting:** Surface or DIN rail

**Weight:** 400 g (0.88 lb)

**PERFORMANCE in percentage of span**

**Accuracy:**  $\pm 0.5$  % (at  $23^{\circ}\text{C} \pm 10^{\circ}\text{C}$  or  $73.4^{\circ}\text{F} \pm 18^{\circ}\text{F}$ , 45 - 65 Hz)

**Response time:**  $\leq 1$  sec. (0 - 100 %  $\pm 1$  %)

**Ripple:** 0.5 %p-p max.

**Line voltage effect:**  $\pm 0.1$  % over voltage range

**Insulation resistance:**  $\geq 100$  M $\Omega$  with 500 V DC

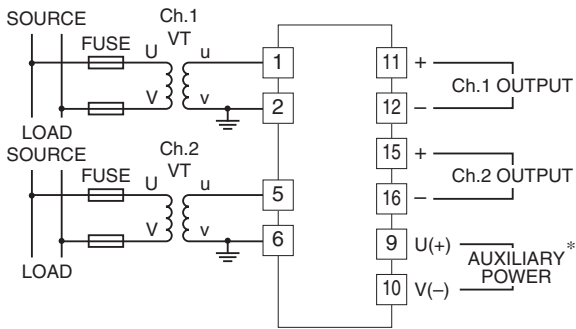
**Dielectric strength:** 2000 V AC @ 1 minute

(input to output to auxiliary power to ground, between channels)

**Impulse withstand voltage:** 1.2 / 50  $\mu\text{sec.}$ ,  $\pm 5$  kV

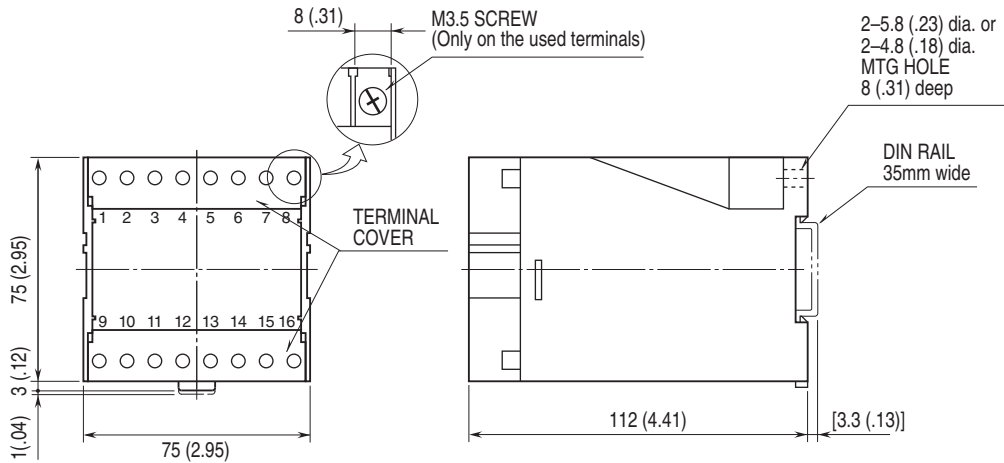
(input to output or ground)

**CONNECTION DIAGRAM**



\*The transducer can be powered from the input voltage when the voltage is sufficiently stable and meets within the range of auxiliary power supply of the unit specified in the data sheet/instruction manual.

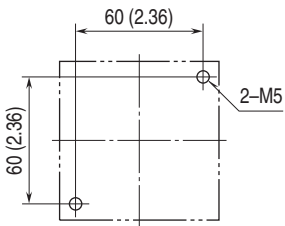
**EXTERNAL DIMENSIONS & TERMINAL ASSIGNMENTS unit: mm [inch]**



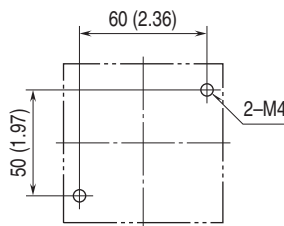
•When mounting, no extra space is needed between units.

**MOUNTING REQUIREMENTS unit: mm [inch]**

■ M5 SCREWS



■ M4 SCREWS



Specifications are subject to change without notice.