

Power Transducer Series L-UNIT

CT TRANSDUCER

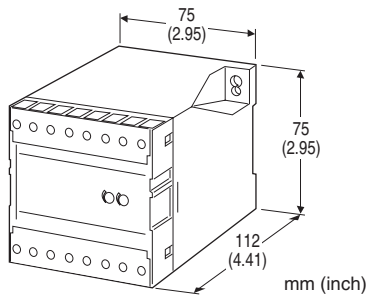
(self-powered, RMS sensing)

Functions & Features

- Converting an alternating current from a current transformer into a standard process signal
- Minimum ripple
- No auxiliary power source required
- Isolation up to 2000 V AC
- High-density mounting

Typical Applications

- Centralized monitoring and control of motors, pumps or heaters by DCS
- Monitoring power line and power supply current



MODEL: LCNE-[1][2][3]

ORDERING INFORMATION

- Code number: LCNE-[1][2][3]
- Specify a code from below for each of [1] through [3].
(e.g. LCNE-55/Q)
- Specify the specification for option code /Q
(e.g. /C01/S01)

[1] INPUT

Current

- 1:** 0 - 1 A AC (used within 0.1 - 1 A)
- 5:** 0 - 5 A AC (used within 0.5 - 5 A)

[2] OUTPUT

Current

- G:** 0 - 1 mA DC (Load resistance 5000 Ω max.)
- Voltage
- 3:** 0 - 1 V DC (Load resistance 2000 Ω min.)
- 4:** 0 - 10 V DC (Load resistance 20 kΩ min.)
- 5:** 0 - 5 V DC (Load resistance 10 kΩ min.)

[3] OPTIONS

- blank:** none
- /Q:** With options (specify the specification)

SPECIFICATIONS OF OPTION: Q (multiple selections)

COATING (For the detail, refer to our web site.)

- /C01:** Silicone coating
- /C02:** Polyurethane coating
- /C03:** Rubber coating
- TERMINAL SCREW MATERIAL
- /S01:** Stainless steel

GENERAL SPECIFICATIONS

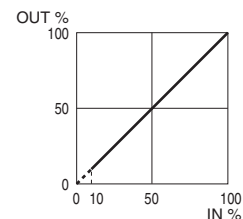
- Construction:** Stand-alone; terminal access at the front
- Connection:** M3.5 screw terminals (torque 0.8 N·m)
- Screw terminal:** Nickel-plated steel (standard) or stainless steel
- Housing material:** Flame-resistant resin (black)
- Isolation:** Input to output
- Input waveform:** Up to 15 % of 3rd harmonic content
- Overrange output:** 10 - 120 % at 0 - 5 V
- Span adjustment:** 95 to 105 % (front)

INPUT SPECIFICATIONS

- Frequency:** 50 or 60 Hz
- Input burden:** 2 VA
- Overload capacity:** 1000 % of rating for 3 sec., 200 % for 10 sec., 120 % continuous
- Operational range:** 10 - 120 % of rating

OUTPUT SPECIFICATIONS

■ OPERATION DIAGRAM



Note: The described accuracy is not assured within 0 - 10% of the rating, though output signal exists.

INSTALLATION

- Operating temperature:** -10 to +55°C (14 to 131°F)
- Operating humidity:** 30 to 85 %RH (non-condensing)
- Mounting:** Surface or DIN rail
- Weight:** 200 g (0.44 lb)

PERFORMANCE in percentage of span

Accuracy: $\pm 0.5\%$ (at $23^{\circ}\text{C} \pm 10^{\circ}\text{C}$ or $73.4^{\circ}\text{F} \pm 18^{\circ}\text{F}$,
45 - 65 Hz)

Response time: ≤ 2 sec. (0 - 100 % $\pm 1\%$)

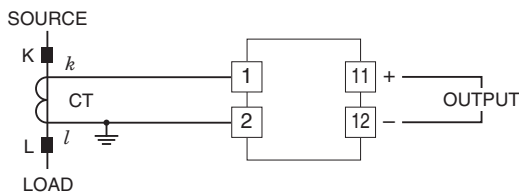
Ripple: 1 %p-p max.

Insulation resistance: $\geq 100\text{ M}\Omega$ with 500 V DC

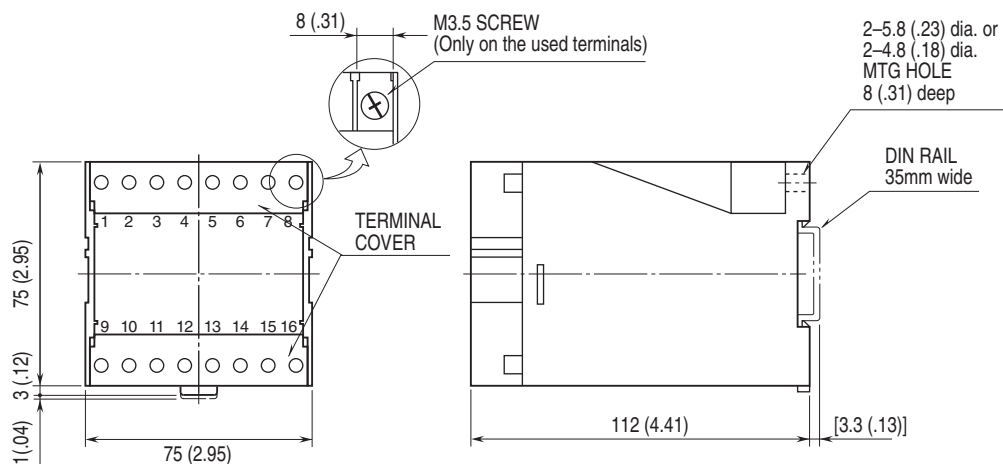
Dielectric strength: 2000 V AC @1 minute
(input to output to ground)

Impulse withstand voltage: 1.2 / 50 $\mu\text{sec.}$, $\pm 5\text{ kV}$
(input to output or ground)

CONNECTION DIAGRAM

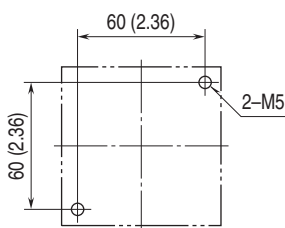


EXTERNAL DIMENSIONS & TERMINAL ASSIGNMENTS unit: mm [inch]

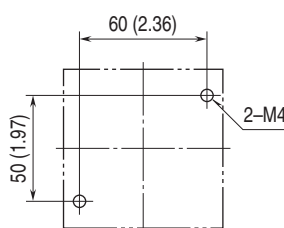


MOUNTING REQUIREMENTS unit: mm [inch]

■ M5 SCREWS



■ M4 SCREWS



Specifications are subject to change without notice.