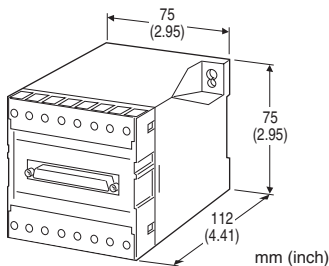


TRANSMISSION LEVEL CONVERTER

(NestBus/RS-232-C, RS-485/RS-232-C)

Functions & Features

- Bi-directional RS-232-C / RS-485 signal converter
- Suitable for applications that interface RS-232-C and RS-485
- Permits a computer to communicate with an MuNet or NestBus (RS-485)



MODEL: LK1-[1]-[2]

ORDERING INFORMATION

- Code number: LK1-[1]-[2]

Specify a code from below for each of [1] and [2].

(e.g. LK1-6-K)

[1] TRANSMISSION SPEED

- 1: 300 bps
- 2: 600 bps
- 3: 1200 bps
- 4: 2400 bps
- 5: 4800 bps
- 6: 9600 bps
- 7: 19200 bps
- 8: 38400 bps

[2] POWER INPUT

AC Power

K: 85 - 132 V AC

(Operational voltage range 85 - 132 V, 44 - 66 Hz)

DC Power

R: 24 V DC

(Operational voltage range 24 V \pm 10 %, ripple 10 %p-p max.)

RELATED PRODUCTS

- Communication Controller (model: 25CU)
- MsysNet series NestBus related products

GENERAL SPECIFICATIONS

Construction: Stand-alone; terminal access at the front

Connection

RS-232-C: 25-pin D-sub connector (female)

(M2.6 x 0.45 connector screw)

RS-485, power input: M3.5 screw terminals (torque 0.8 N·m)

Screw terminal: Nickel-plated steel

Housing material: Flame-resistant resin (black)

Isolation: Transmission to power

COMMUNICATION

Communication: Half-duplex, asynchronous, no procedure

■ RS-232-C

Standard: Conforms to RS-232-C, EIA

Transmission distance: 10 meters max.

Cable: straight cable

■ RS-485

Standard: Conforms to TIA/EIA-485-A

Transmission distance: 500 meters max.

Transmission media: Shielded twisted-pair cable (CPEV-S 0.9 dia.)

INSTALLATION

Power consumption

• AC: Approx. 5 VA

• DC: Approx. 30 mA

Operating temperature: -5 to +55°C (23 to 131°F)

Operating humidity: 30 to 90 %RH (non-condensing)

Mounting: Surface or DIN rail

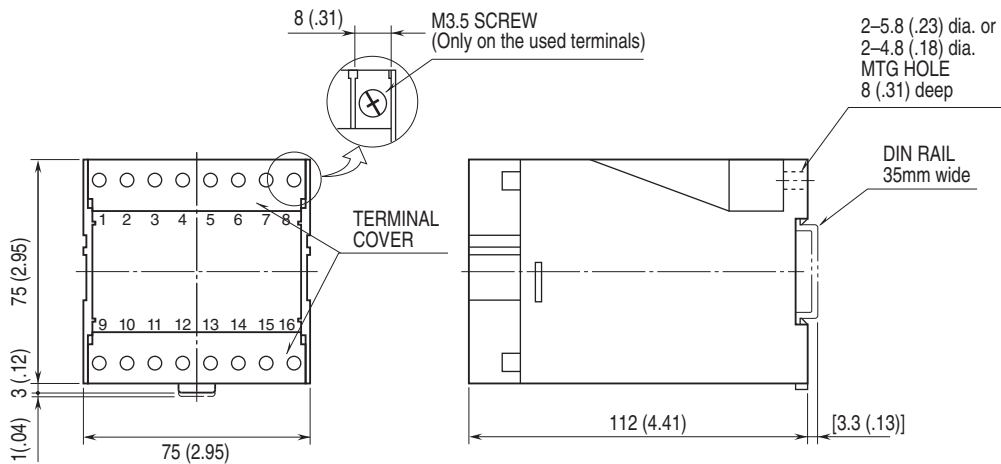
Weight: 300 g (0.66 lb)

PERFORMANCE

Insulation resistance: \geq 100 M Ω with 500 V DC

Dielectric strength: 500 V AC @ 1 minute (transmission to power to ground)

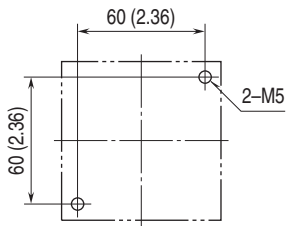
EXTERNAL DIMENSIONS & TERMINAL ASSIGNMENTS unit: mm [inch]



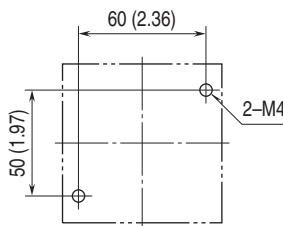
•When mounting, no extra space is needed between units.

MOUNTING REQUIREMENTS unit: mm [inch]

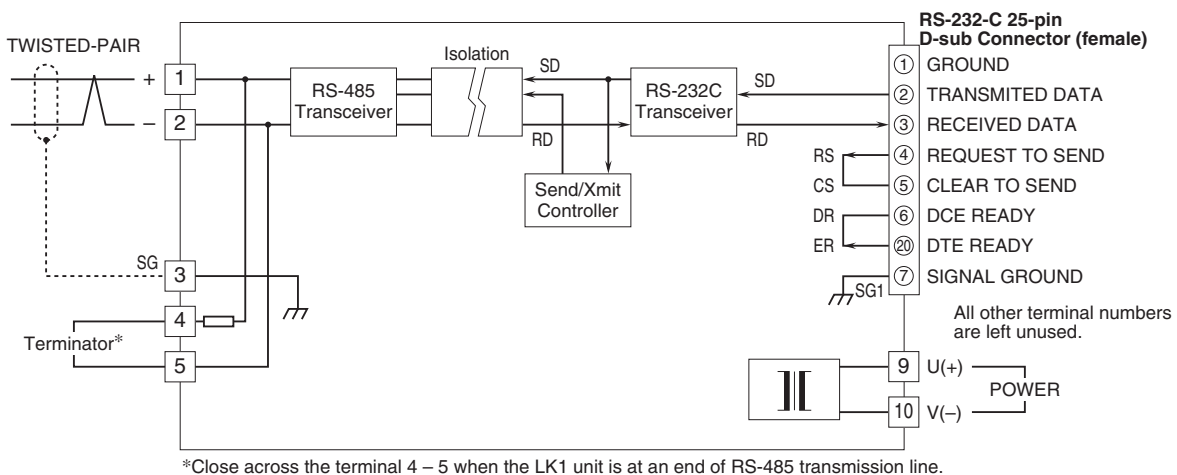
■ M5 SCREWS



■ M4 SCREWS



SCHEMATIC CIRCUITRY & CONNECTION DIAGRAM



Specifications are subject to change without notice.