

Power Transducer Series LT-UNIT

POWER FACTOR TRANSDUCER

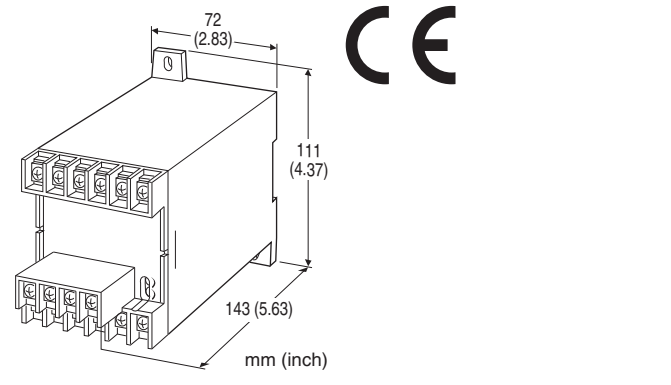
(for unbalanced load)

Functions & Features

- Provides a DC output signal in proportion to power factor
- Usable with unbalanced load
- DC output containing little ripple is ideal for computer input
- Isolation up to 2000 V AC
- High-density mounting
- Conforms to IEC 60688

Typical Applications

- Centralized monitoring and control of power management system in a manufacturing facility or building
- Measuring power factor for a motor



MODEL: LTPFU-[1][2][3][4][5][6]-[7][8]

ORDERING INFORMATION

- Code number: LTPFU-[1][2][3][4][5][6]-[7][8]
Specify a code from below for each of [1] through [8].
(e.g. LTPFU-1151PA-R/T/Q)
- Special output range (For codes Z & 0)
- Specify the specification for option code /Q
(e.g. /C01)

[1] CONFIGURATION

- 1: 3-phase / 3-wire
- 4: 3-phase / 4-wire

[2] VT INPUT (balanced load)

- For 3-phase / 4-wire, phase voltages (e.g. 110 V / $\sqrt{3}$) are used.
- 1: 100, 110, 115, 120 V AC
 - 2: 190, 200, 210, 220, 230, 240 V AC
 - 4: 380, 400, 415, 430, 440, 480 V AC

[3] CT INPUT (unbalanced load)

- Current
- 1: 1 A AC
 - 2: 2 A AC
 - 5: 5 A AC

[4] FREQUENCY

- 1: 50 Hz
- 2: 60 Hz

[5] OUTPUT SIGNAL POLARITY

- P: Negative in lag, positive in lead
M: Negative in lead, positive in lag

[6] OUTPUT

- Current
- A: 4 - 20 mA DC (Load resistance 500 Ω max.)
 - FW: -10 - +10 mA DC (Load resistance 1000 Ω max.)
 - GW: -1 - +1 mA DC (Load resistance 10 k Ω max.)
 - JW: -5 - +5 mA DC (Load resistance 2000 Ω max.)
 - Z: Specify current (See OUTPUT SPECIFICATIONS)
- Voltage
- 6: 1 - 5 V DC (Load resistance 5000 Ω min.)
 - 1W: -10 - +10 mV DC (Load resistance 10 k Ω min.)
 - 2W: -100 - +100 mV DC (Load resistance 100 k Ω min.)
 - 3W: -1 - +1 V DC (Load resistance 1000 Ω min.)
 - 4W: -10 - +10 V DC (Load resistance 10 k Ω min.)
 - 5W: -5 - +5 V DC (Load resistance 5000 Ω min.)
 - 0: Specify voltage (See OUTPUT SPECIFICATIONS)

[7] AUXILIARY POWER SUPPLY

- AC Power
- K3: 100 - 120V AC
(Operational voltage range 85 - 132 V, 47 - 66 Hz)
 - L3: 200 - 240V AC
(Operational voltage range 170 - 264 V, 47 - 66 Hz)
- DC Power
- R: 24 V DC
(Operational voltage range 24 V \pm 10 %, ripple 10 %p-p max.)
 - V: 48 V DC
(Operational voltage range 48 V \pm 10 % , ripple 10 % p-p max.)
 - P: 110 V DC
(Operational voltage range 85 - 150 V, ripple 10 %p-p max.)
(CE not available)

[8] OPTIONS (multiple selections)

- Terminal Cover
- blank: Without
 - /T: With
- Other Options

blank: none

/Q: Option other than the above (specify the specification)

SPECIFICATIONS OF OPTION: Q

COATING (For the detail, refer to our web site.)

/C01: Silicone coating

/C02: Polyurethane coating

/C03: Rubber coating

GENERAL SPECIFICATIONS

Connection: M4 screw terminals (torque 1.2 N·m)

Screw terminal: Chrome-plated steel

Housing material: Flame-resistant resin (black)

Isolation: Voltage input to current input to output to auxiliary power

Computation: Phase angle detection

Overrange output: Approx. -10 to +120 % at 1 - 5 V

Zero adjustment: -5 to +5 % (front)

Span adjustment: 95 to 105 % (front)

INPUT SPECIFICATIONS

Note: A device which employs different measuring methods may show different outputs from ours with distorted input waveforms.

Frequency: 50 or 60 Hz

VOLTAGE INPUT

Operational range: 85 - 120 % of rating

Overload capacity: 150 % of rating for 10 sec., 120 % continuous

Input burden: 0.5 VA

CURRENT INPUT

Operational range: 10 - 120 % of rating

Overload capacity: 4000 % of rating for 1 sec., 2000 % for 4 sec., 120 % continuous

Input burden: 0.1 VA (input 1 A)

0.2 VA (input 2 A)

0.5 VA (input 5 A)

Input range:

Lag 0.5 - 1 - lead 0.5

Lead 0.5 - 1 - lag 0.5

OUTPUT SPECIFICATIONS

DC Current: -10 - +20 mA DC

Span: Min. 1 mA, max. 20 mA

Offset: Max. 1.5 times span

Load resistance: Output drive 10 V max.

DC Voltage: -10 - +12 V DC

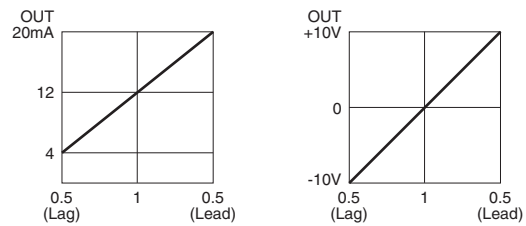
Minimum span: 5 mV

Offset: Max. 1.5 times span

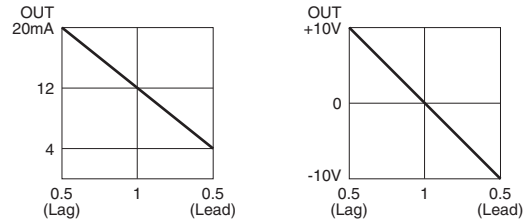
Load resistance: Output drive 1 mA max. at ≥ 0.5 V

OPERATION DIAGRAM (example)

Negative in lag, positive in lead



Negative in lead, positive in lag



Note: When there is no input voltage or 5% or less of the rated input current, the transducer output equals approximately to '1'.

INSTALLATION

Power Consumption

•AC: Approx. 2 VA

•DC: Approx. 2 W (18 mA at 110 V)

Operating temperature: -10 to +55°C (14 to 131°F)

Operating humidity: 30 to 85 %RH (non-condensing)

Mounting: Surface or DIN rail

Weight: 450 g (0.99 lb)

PERFORMANCE in percentage of span

Accuracy: ± 2 % with input 1 - 0.866, balanced load
 ± 4 % with input 0.866 - 0.5, balanced load (at 23°C ± 10 °C or 73.4°F ± 18 °F, at rated frequency ± 10 % [± 5 % for 3-phase/4-wire])

Magnetic field (ext. origin) effect: ± 2 % (400 A/m)

Response time: ≤ 2 sec. (0 - 100 % ± 1 %)

Ripple: 0.5 %p-p max.

Line voltage effect: ± 1 % over voltage range

Insulation resistance: ≥ 100 M Ω with 500 V DC

Dielectric strength: 2000 V AC @ 1 minute

(voltage input to current input to output to auxiliary power to ground)

Impulse withstand voltage: 1.2 / 50 μ sec., ± 5 kV

(input to output or ground)

STANDARDS & APPROVALS

EU conformity:

EMC Directive

EMI EN 61000-6-4

EMS EN 61000-6-2

Low Voltage Directive

EN 61010-1

Measurement Category II (input)

Installation Category II (auxiliary power)

Pollution Degree 2

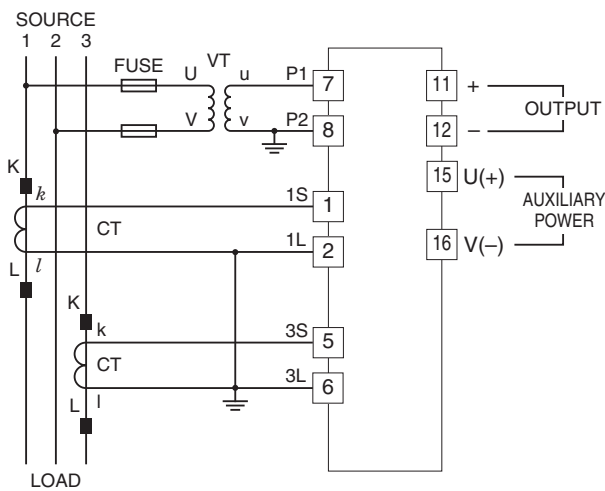
Input to output or auxiliary power: Reinforced insulation (550 V)

Output to auxiliary power: Reinforced insulation (300 V)

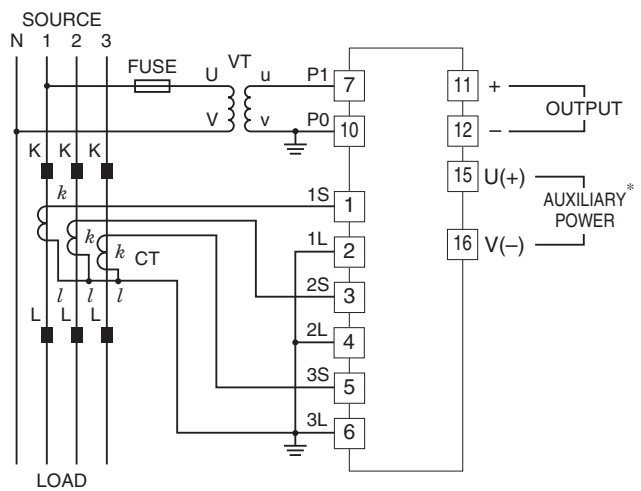
RoHS Directive

CONNECTION DIAGRAM

3-PHASE/3-WIRE

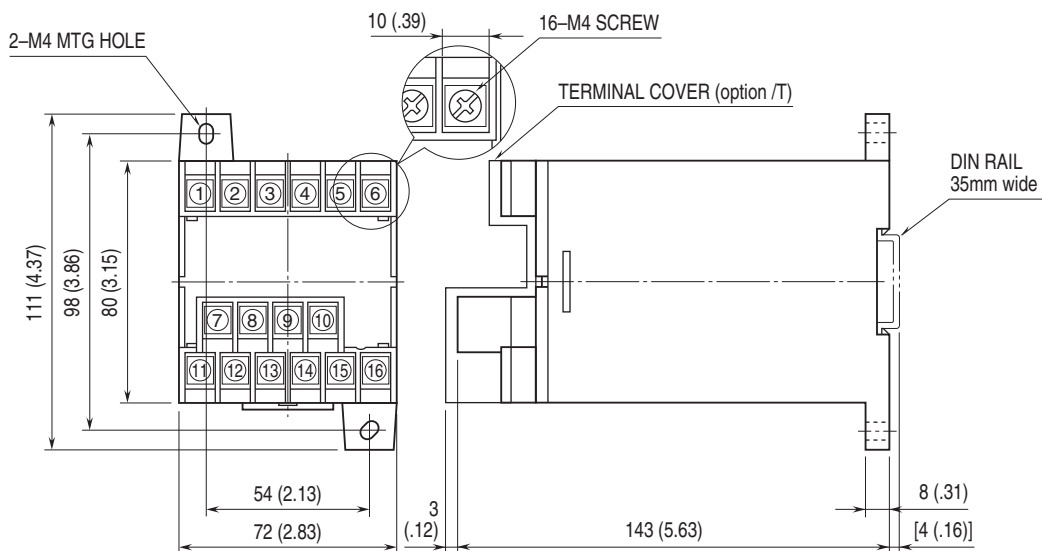


3-PHASE/4-WIRE



*The transducer can be powered from the input voltage when the voltage is sufficiently stable and meets within the range of auxiliary power supply of the unit specified in the data sheet/instruction manual.

EXTERNAL DIMENSIONS & TERMINAL ASSIGNMENTS unit: mm [inch]



• When mounting, no extra space is needed between units.



Specifications are subject to change without notice.