

## MOUNTING BLOCK

### Functions & Features

- Air header for pneumatic supply used with I/P Transducers models HVP, HVPN and P-UNIT series transducers
- Connected to the base sockets of each transducer
- Single unit use and multiple units use

## MODEL: MB-[1][2]

## ORDERING INFORMATION

- Code number: MB-[1][2]

Specify a code from below for each of [1] and [2].

(e.g. MB-16/P83)

### [1] CAPACITY

**01:** 1 unit (HVP or HVPN)

**P1:** 1 unit (P-UNIT)

**08:** 8 units (4 units with P-UNIT)

**16:** 16 units (8 units with P-UNIT)

### [2] OPTIONS

Pneumatic Connection

**blank:** Rc 1/4 for MB-01/-P1 or Rc 3/8 for MB-08/-16 standard

**/P7:** 1/4" NPT fitting for MB-01/-P1

**/P83:** 3/8" NPT fitting for MB-08/-16

## GENERAL SPECIFICATIONS

### Material

**Manifold:** Extruded aluminum

**Coating:** Alumite

**Gascket:** NBR

## INSTALLATION

### Weight (excluding fittings)

MB-01: 150 g (0.33 lb)

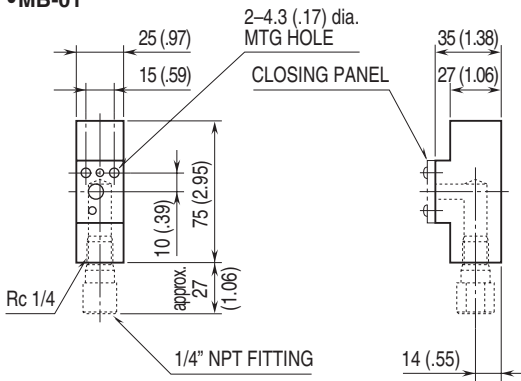
MB-P1: 250 g (0.55 lb)

MB-08: 1.4 kg (3.1 lb)

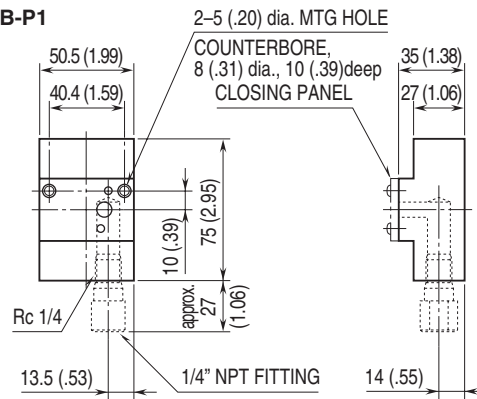
MB-16: 2.7 kg (6.0 lb)

**EXTERNAL DIMENSIONS unit: mm [inch]**

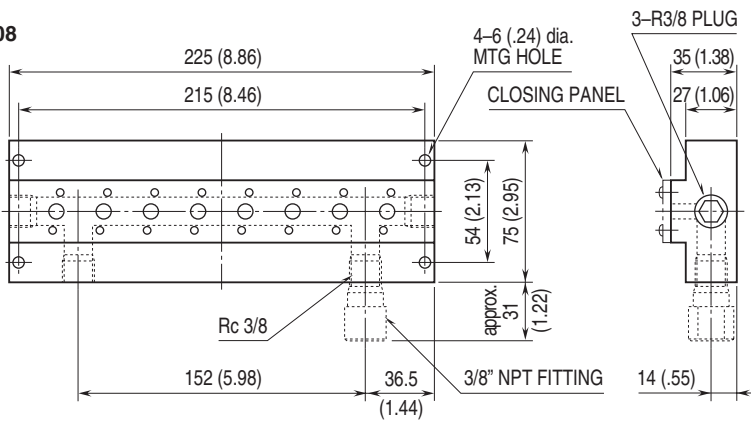
•MB-01



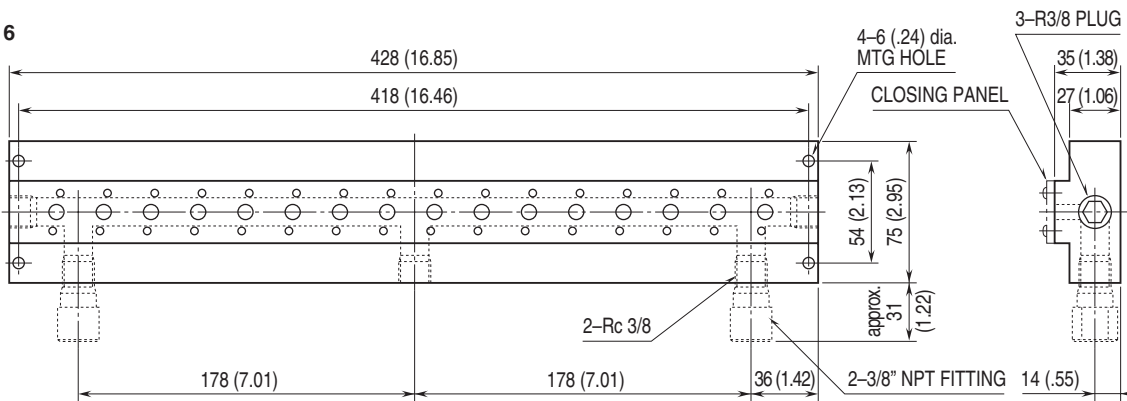
•MB-P1



•MB-08

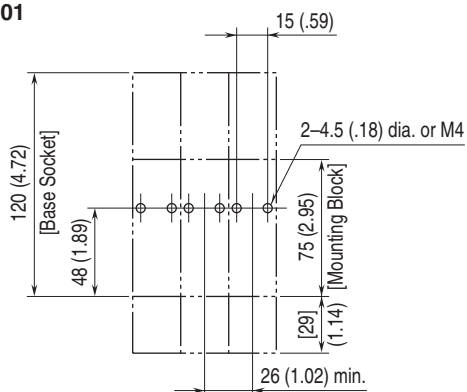


•MB-16

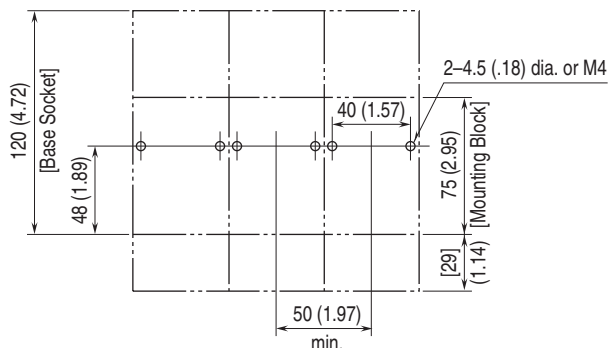


## MOUNTING REQUIREMENTS unit: mm [inch]

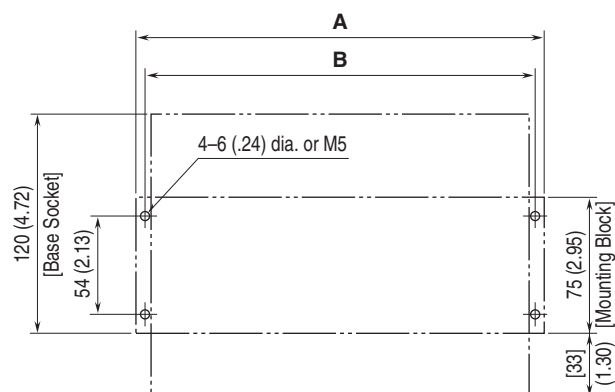
### ■ MB-01



### ■ MB-P1



### ■ MB-08, MB-16



	MB-08	MB-16
A	225 (8.86)	428 (16.85)
B	215 (8.46)	418 (16.46)

[ ] indicates a space required for NPT fitting.



Specifications are subject to change without notice.