

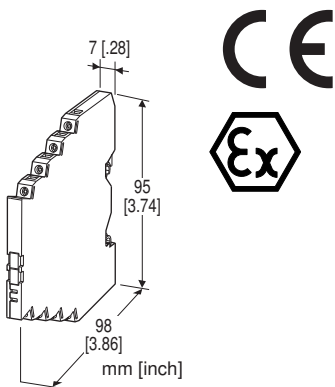
Lightning Surge Protectors for Electronics Equipment M-RESTER

LIGHTNING SURGE PROTECTOR FOR POTENTIOMETER USE

(ultra-slim)

Functions & Features

- High discharge current capacity 20 kA (8 / 20 μ s), 1 kA (10 / 350 μ s)
- Ultra-thin 7-mm-wide module can be mounted in high density
- Excellent protection employing multi-stage SPD circuits
- DIN rail mounting and grounding
- Shield terminal provided



MODEL: MD7PM-[1][2][3]

ORDERING INFORMATION

- Code number: MD7PM-[1][2][3]

Specify a code from below for each of [1] through [3].

(e.g. MD7PM-FF0/Q)

For the safety approval code 2, specify the product's destination country using Ordering Information Sheet (No. ESU-8057).

- Specify the specification for option code /Q (e.g. /C01)

[1] SHIELD TERMINAL (line / earth)

FF: Floating / Floating

FG: Floating / Grounding

GF: Grounding / Floating

GG: Grounding / Grounding

[2] SAFETY APPROVAL

0: None

2: ATEX intrinsic safety

[3] OPTIONS

blank: none

/Q: With options (specify the specification)

(ATEX intrinsic safety not available)

SPECIFICATIONS OF OPTION: Q

COATING (For the detail, refer to our web site.)

/C01: Silicone coating

/C02: Polyurethane coating

GENERAL SPECIFICATIONS

Construction: Slim-sized front terminal structure

Degree of protection: IP20

Connection: Euro terminal block (torque 0.3 N·m)

Applicable wire size: 0.2 - 2.5 mm², stripped length 8 mm

Grounding: DIN Rail

Housing material: Flame-resistant resin (black)

INSTALLATION

Operating temperature: -25 to +85°C (-13 to +185°F)

(See Safety Parameters for use in a hazardous location.)

Operating humidity: 30 to 90 %RH (non-condensing)

Mounting: DIN Rail (TH35-7.5, 1-mm-thick)

Oxide film on the surface of an aluminium DIN rail may lower the electric conductivity between this module and the ground. Use a steel or copper rail.

Weight: 70 g (2.5 oz)

PERFORMANCE

| MODEL NO. | | MD7PM-FF | MD7PM-FG | MD7PM-GF | MD7PM-GG |
|---|---------------------------------------|------------|----------|----------|----------|
| Max. continuous operating voltage (Uc) | Line to Line | 7.5V | | | |
| | Line to Earth | ±160V | | | ±7.5V |
| | Line to SHLD | ±160V | | ±7.5V | |
| | SHLD to Earth | ±160V | short | ±160V | short |
| Voltage protection level (Up) @4kV (1.2 / 50 μs) | Line to Line | 25V | | | |
| | Line to Earth | ±800V | | | ±25V |
| | Line to SHLD | ±1200V | ±800V | ±25V | |
| | SHLD to Earth | ±800V | short | ±800V | short |
| Leakage current @Uc | Line to Line | ≤ 5μA | | | |
| | Other sections | ≤ 5μA | | | |
| Response time | Line to Line | ≤ 4 nsec. | | | |
| | Other sections | ≤ 20 nsec. | | | |
| Max. discharge current (Imax) | 20kA (8 / 20 μs), 1.0kA (10 / 350 μs) | | | | |
| Nominal current (In) | 100mA | | | | |
| Internal series resistance | 4.7Ω ±10% per line | | | | |
| Surge protection | IEC 61643-21 Categories C1, C2, D1 | | | | |

STANDARDS & APPROVALS

EU conformity:

ATEX Directive

Ex ia EN 60079-11

EMC Directive

EMI EN 61000-6-4

EMS EN 61000-6-2

RoHS Directive

Safety approval:

ATEX: Intrinsic safety

⊕ II 1G, Ex ia IIC; T4 and T5 Ga

EN 60079-0

EN 60079-11

SAFETY PARAMETERS

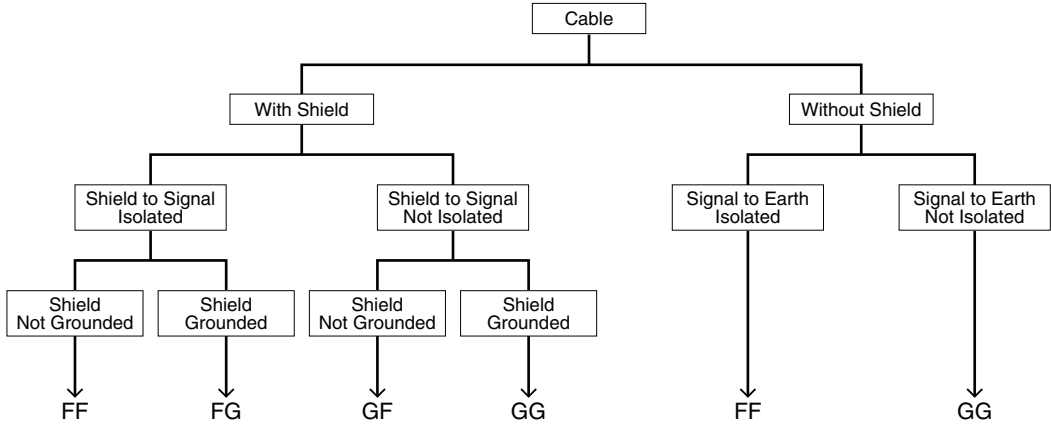
■ ATEX IS DATA

| | | | |
|-----------|--------------|--------------|-----------|
| Ui (Vmax) | 16V | | |
| Ii (Imax) | any | | |
| Ci | 35 nF | | |
| Li | 0 μH | | |
| Pi | Temp. Class | Range | Parameter |
| | T4 | -25 to +40°C | 1.3W |
| | | -25 to +60°C | 1.2W |
| | | -25 to +80°C | 1.0W |
| T5 | -25 to +40°C | 1.0W | |

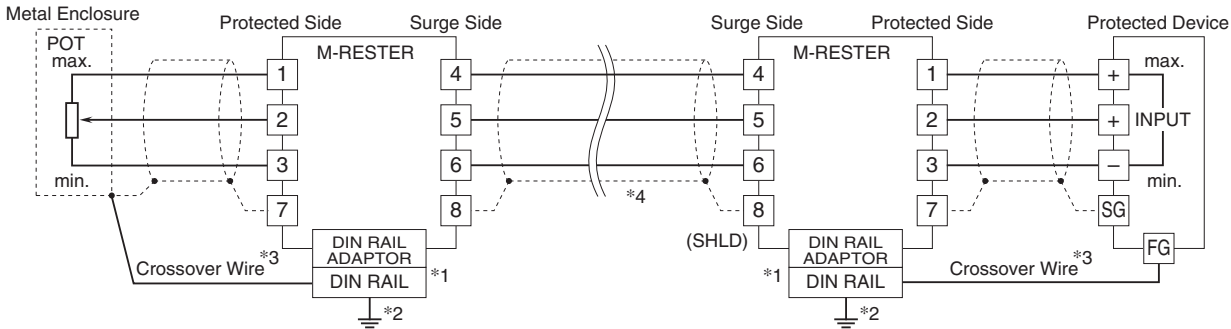
DESCRIPTIONS

■ SELECTING SHIELD TERMINAL TYPE

- The surge protector has a dedicated shield terminal effective for easy shield wiring and surge protection.
- Review the shield method (grounding, non-grounding, connecting to SG, etc.) required by the protected device or system.
- There is no electrical effect to the shield by installing the surge protector, but an appropriate shield terminal type must be selected to suit user applications.
- Refer to the flow chart below to choose.

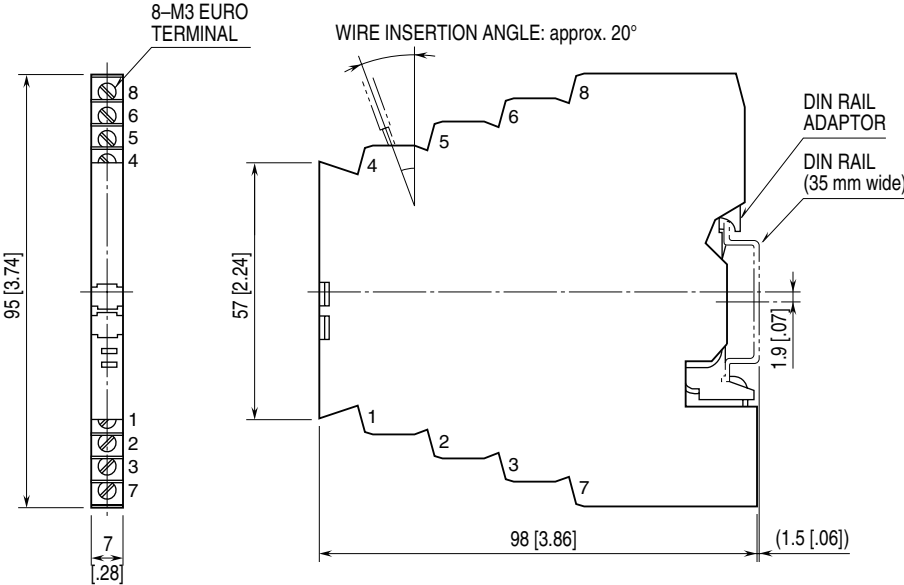


CONNECTION EXAMPLES



- *1. Oxide film on the surface of an aluminium rail may lower the electric conductivity between this module and the ground. Use a steel or copper rail.
- *2. Be sure to ground the DIN rail. Recommended grounding resistance $\leq 100\Omega$
- *3. Cross-wire between the DIN rail and the metal housing of the protected device to equalize the earth potential. Ground only the surge protector when the protected device has no ground terminal.
- *4. Shield wiring method is an example. Proceed according to the system requirements.

EXTERNAL DIMENSIONS & TERMINAL ASSIGNMENTS unit: mm [inch]



SCHEMATIC CIRCUITRY

| SHIELD TERMINAL | MODEL NO. | SCHEMATIC CIRCUITRY | APPLICATIONS |
|---|---|---------------------|---|
| <ul style="list-style-type: none"> Line to SHLD: Floating Earth to SHLD: Floating | <ul style="list-style-type: none"> MD7PM-FFx | | <ul style="list-style-type: none"> Standard type To protect a device having isolation between Signal and Earth. When SHLD should be floating against the earth. (single-end grounding) |
| <ul style="list-style-type: none"> Line to SHLD: Floating Earth to SHLD: Grounding | <ul style="list-style-type: none"> MD7PM-FGx | | <ul style="list-style-type: none"> To protect a device having isolation between Signal and Earth. When SHLD should be grounded. (single- or both-end grounding) |
| <ul style="list-style-type: none"> Line to SHLD: Grounding Earth to SHLD: Floating | <ul style="list-style-type: none"> MD7PM-GFx | | <ul style="list-style-type: none"> To protect a device having isolation between Signal and Earth. When SHLD wire should be connected to SG terminal of the protected device. (SHLD is not grounded to the earth.) |
| <ul style="list-style-type: none"> Line to SHLD: Grounding Earth to SHLD: Grounding | <ul style="list-style-type: none"> MD7PM-GGx | | <ul style="list-style-type: none"> To protect a device which does not have a good dielectric strength between Signal and Earth. |

Sections enclosed with broken line may differ depending upon the models.



Specifications are subject to change without notice.