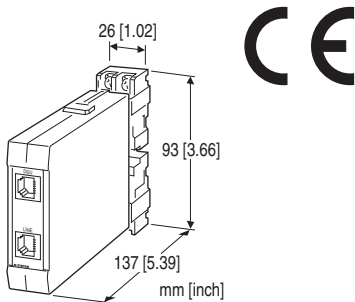


Lightning Surge Protectors for Electronics Equipment M-RESTER

LIGHTNING SURGE PROTECTOR FOR ISDN CIRCUIT USE

Functions & Features

- Designed specifically to protect devices connected to ISDN circuit from lightning surges



Line to ground: ± 650 V max.

(The maximum voltage that could pass through M-RESTER. Protected equipment must be able to withstand this voltage for very short time period.)

Response time: ≤ 0.1 μsec .

Leakage current

Line to line: ≤ 50 μA at ± 65 V DC

Line to ground: ≤ 50 μA at ± 140 V DC

Discharge current capacity

Modular jack connection: 500 A (8 / 20 μsec .)

Screw terminal connection: 10000 A (8 / 20 μsec .)

Max. load current: 100 mA

Internal series resistance: Approx. 4 Ω including return

Maximum line voltage: ± 65 V

STANDARDS & APPROVALS

EU conformity:

RoHS Directive

MODEL: MD-INS

ORDERING INFORMATION

- Code number: MD-INS

GENERAL SPECIFICATIONS

Construction: Plug-in

Connection

ISDN circuit: Modular jack or M3.5 screw terminals
(torque 0.8 N·m)

Grounding: M3.5 screw terminals
(torque 0.8 N·m)

Modular jack cord: 6-pole, 2-core

Screw terminal: Nickel-plated steel

Housing material: Flame-resistant resin (black)

INSTALLATION

Operating temperature: -5 to +55°C (23 to 131°F)

Operating humidity: 30 to 90 %RH (non-condensing)

Mounting: Surface or DIN rail; Standard Rack Mounting

Frame BX-16H available

Weight: 150 g (0.33 lb)

PERFORMANCE

Discharge voltage (peak voltage)

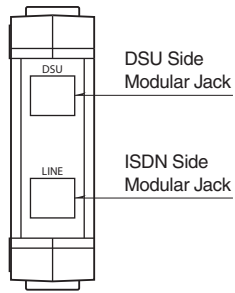
Line to line: ± 65 V min.

Line to ground: ± 290 V min.

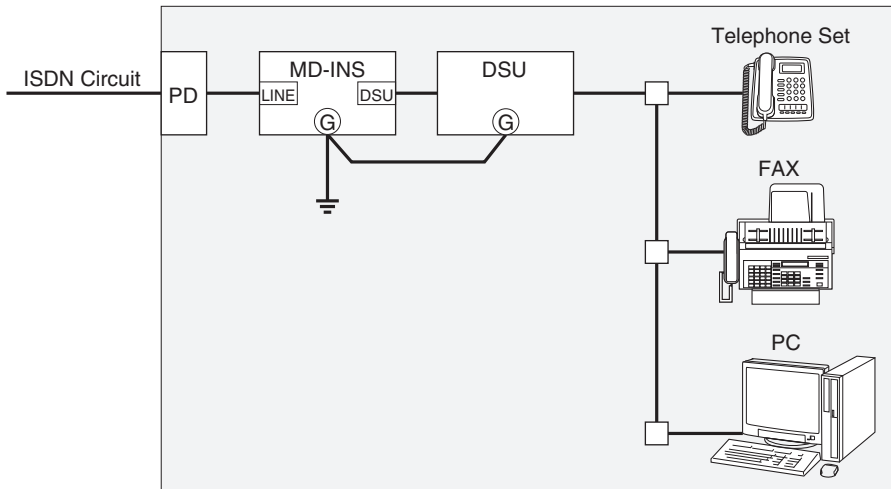
Maximum surge voltage

Line to line: ± 100 V max.

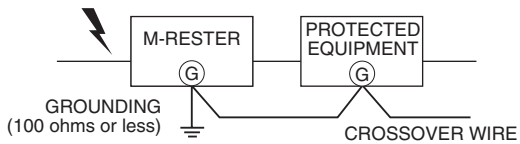
EXTERNAL VIEW



CONNECTION EXAMPLES

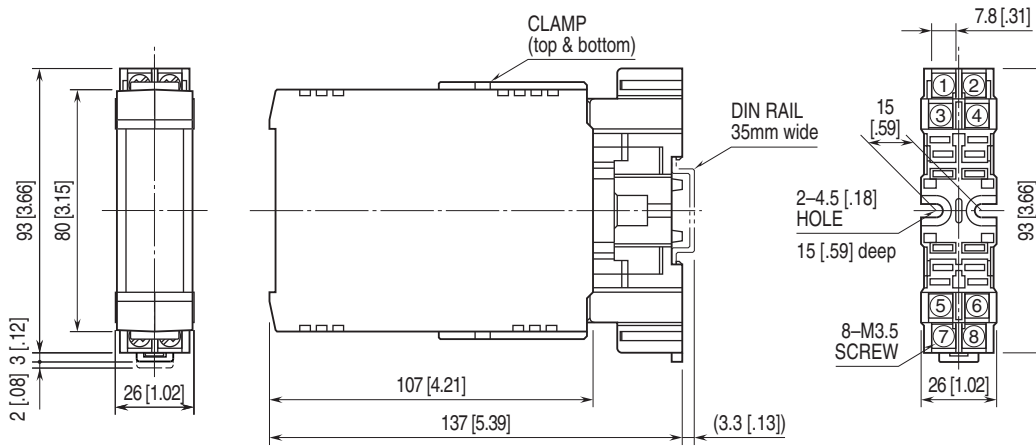


GROUNDING



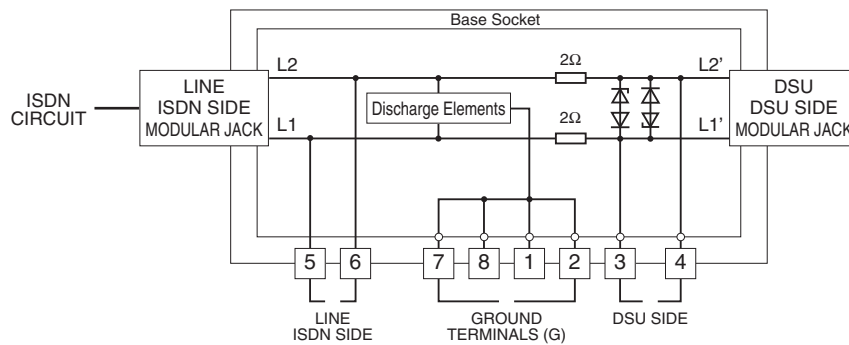
A crossover wire between M-RESTER ground and ground or metallic housing of equipment is required for protection.
If the protected equipment has no ground terminal, ground the M-RESTER only.

EXTERNAL DIMENSIONS & TERMINAL ASSIGNMENTS unit: mm [inch]



•When mounting, no extra space is needed between units.

SCHEMATIC CIRCUITRY



Be sure to cross-wire between the G terminal of telephone set and one of the terminals 7, 8, 1, or 2 of the MD-INS.



Specifications are subject to change without notice.