

## Lightning Surge Protectors for Electronics Equipment M-RESTER

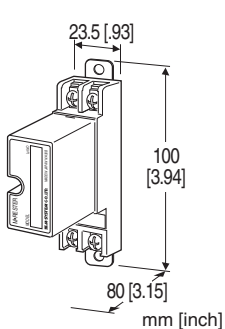
### LIGHTNING SURGE PROTECTOR FOR STANDARD SIGNAL LINE & PULSE USE

#### Functions & Features

- Designed specifically for 4 - 20mA DC and pulse signal line including both 4-wire and 2-wire transmitters
- Absorbs surges only without affecting instrumentation signal
- No interruption of signal by unplugging surge protector element

#### Application Examples

- Protects two-wire transmission lines
- Protects electronic instruments' I/O



## MODEL: MDP-65-1[1]

### ORDERING INFORMATION

- Code number: MDP-65-1[1]
- Specify a code from below for [1].  
(e.g. MDP-65-1/A33/CE/Q)
- Specify the specification for option code /Q  
(e.g. /C01)

### [1] OPTIONS (multiple selections)

DIN Rail Mounting Adapter

**blank:** Without

**/A33:** With adapter (model A-33)

Standards & Approvals (must be specified)

**/N:** Without CE

**/CE:** CE marking

Other Options

**blank:** none

**/Q:** Option other than the above (specify the specification)

### SPECIFICATIONS OF OPTION: Q

COATING (For the detail, refer to our web site.)

/C01: Silicone coating

/C02: Polyurethane coating

/C03: Rubber coating

### GENERAL SPECIFICATIONS

**Construction:** Plug-in

**Connection:** M4 screw terminals (torque 0.8 N·m)

**Screw terminal:** Nickel-plated steel

**Housing material:** Flame-resistant resin (black)

### INSTALLATION

**Operating temperature:** -5 to +55°C (23 to 131°F)

**Operating humidity:** 30 to 90 %RH (non-condensing)

**Mounting:** Surface or DIN rail

**Weight:**

120 g (0.26 lb), standard

145 g (0.32 lb), with DIN rail mounting adapter

**Capacitance (reference value) @ 1 MHz:**

Line to line: 2000 pF

Line to earth: 100 pF

### PERFORMANCE

**Max. continuous operating voltage (Uc):**

Line to line: 70 V

Line to earth: ±140 V

**Voltage protection level (Up):**

• @ 1 kV (100 A)

Line to line: 80 V

Line to earth: ±650 V

• @ 2 kV (1 kA)

Line to line: 110 V

Line to earth: ±800 V

**Response time:**

Line to line: ≤ 4 nsec.

Line to earth: ≤ 20 nsec.

**Leakage current:**

Line to line: ≤ 5 μA @ 70 V DC

Line to earth: ≤ 5 μA @ ±140 V DC

**Max. discharge current (Imax):** 5000 A (8 / 20 μs)

**Nominal current (In):** 100 mA

**Internal series resistance:** 20 Ω ±10 % (including return)

**Surge protection:** IEC 61643-21 Categories C1, C2, D1

## STANDARDS & APPROVALS

EU conformity:

EMC Directive

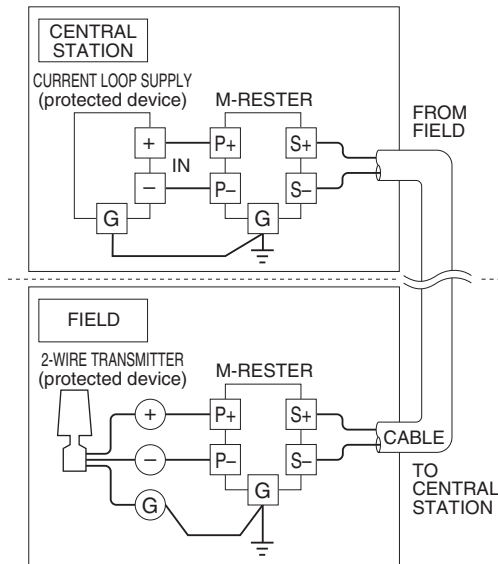
EMI EN 61000-6-4

EMS EN 61000-6-2

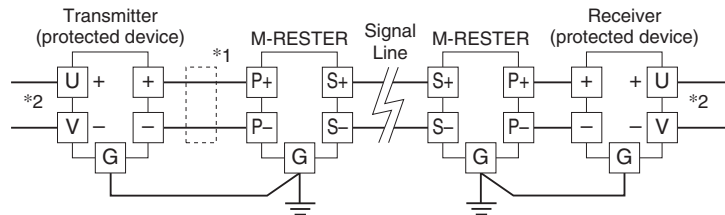
RoHS Directive

## CONNECTION EXAMPLES

### ■ PROTECTING TWO-WIRE SIGNAL LINES



### ■ PROTECTING ELECTRONIC INSTRUMENTS' I/O

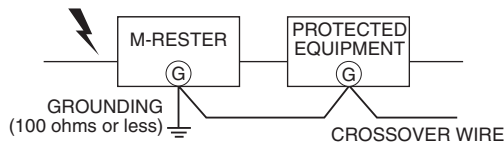


\*1. Install a circuit protector when the transmitter output current exceeds 100mA.

\*2. The M-RESTER is designed in particular to protect signal lines.

To protect power supply lines, install other types of surge protectors.

## GROUNDING



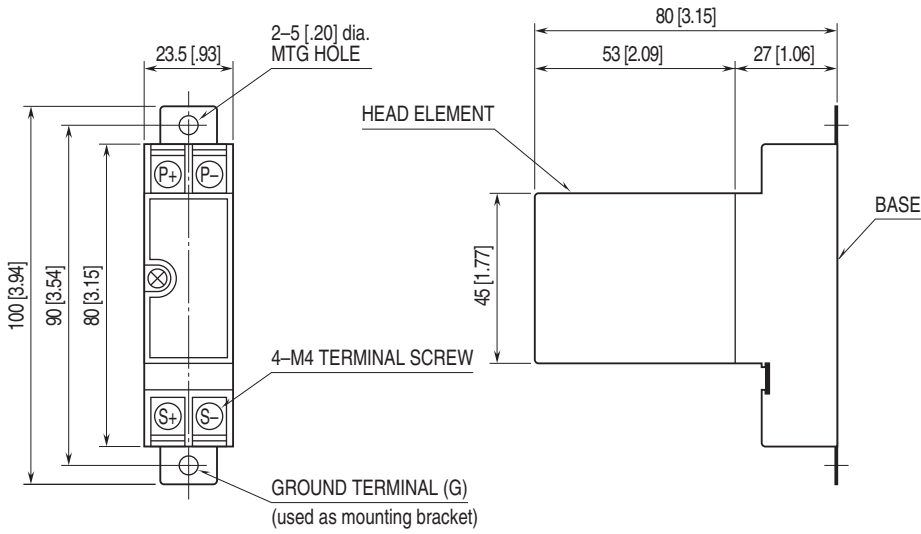
A crossover wire between M-RESTER ground and the ground or metallic housing of the equipment is required for protection.

If the protected equipment has no ground terminal, ground the M-RESTER only.

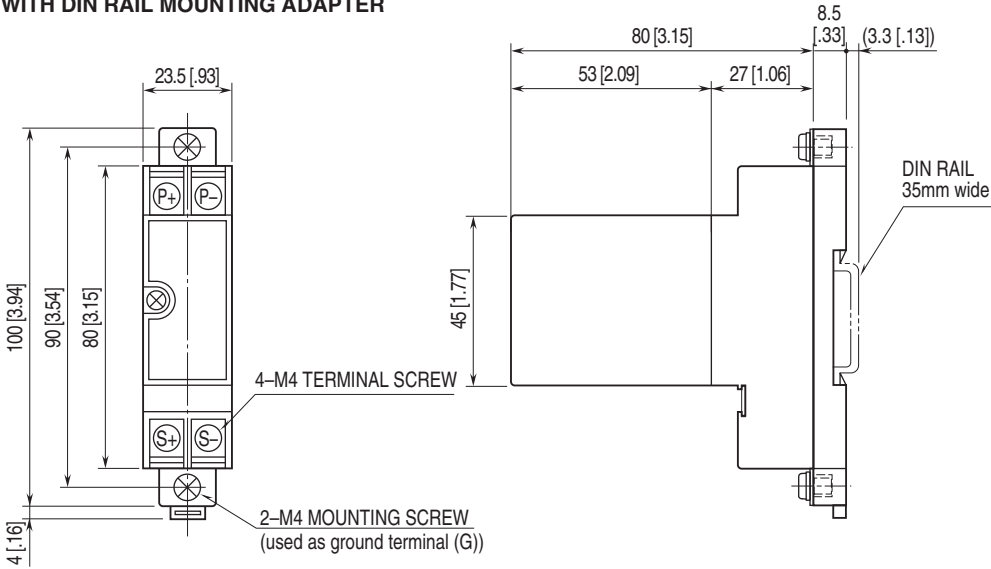
When the M-RESTER is mounted with DIN Rail Mounting Adapter, connect the grounding wire to the mounting screw of the M-RESTER.

**EXTERNAL DIMENSIONS & TERMINAL ASSIGNMENTS unit: mm [inch]**

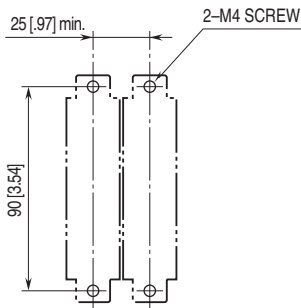
■ STANDARD



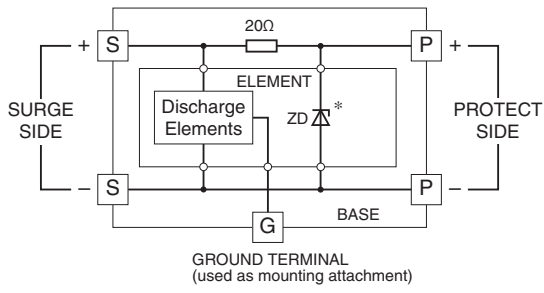
■ WITH DIN RAIL MOUNTING ADAPTER



**MOUNTING REQUIREMENTS unit: mm [inch]**



**SCHEMATIC CIRCUITRY**



\*The zenor diode has polarity.  
Zero-cross signal cannot be connected.



Specifications are subject to change without notice.