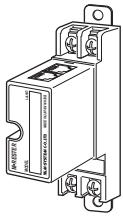


## Lightning Surge Protectors for Electronics Equipment M-RESTER

### LIGHTNING SURGE PROTECTOR FOR TELECOMMUNICATION LINE USE

#### Functions & Features

- Designed specifically to protect telecommunication equipment from lightning surges entering through telecommunication line network
- Easy connection to the protected equipment with modular jacks
- Connection with a telephone and a modem in parallel
- No interruption of transmission signal by unplugging the protector element



#### MODEL: MDP-TL[1]

#### ORDERING INFORMATION

- Code number: MDP-TL[1]

Specify a code from below for [1].

- (e.g. MDP-TL/A33/Q)
- Specify the specification for option code /Q (e.g. /C01)

#### [1] OPTIONS (multiple selections)

DIN Rail Mounting Adapter

**blank:** Without

**/A33:** With adapter (model A-33)

Other Options

**blank:** none

**/Q:** Option other than the above (specify the specification)

#### SPECIFICATIONS OF OPTION: Q

COATING (For the detail, refer to our web site.)

**/C01:** Silicone coating

**/C02:** Polyurethane coating

**/C03:** Rubber coating

#### GENERAL SPECIFICATIONS

**Construction:** Plug-in

**Connection:** Modular jack or M4 screw terminals (torque 0.8 N·m)

**Modular jack cord:** 6-pole, 2-core

**Screw terminal:** Nickel-plated steel

**Housing material:** Flame-resistant resin (black)

#### INSTALLATION

**Operating temperature:** -5 to +55°C (23 to 131°F)

**Operating humidity:** 30 to 90 %RH (non-condensing)

**Mounting:** Surface or DIN rail

**Weight:**

120 g (0.26 lb), standard

145 g (0.32 lb), with DIN rail mounting adapter

#### PERFORMANCE

**Max. continuous operating voltage (Uc):**

Line to line: ±160 V

Line to earth: ±160 V

**Voltage protection level (Up):**

- @ 1 kV (100 A)

Line to line: ±650 V

Line to earth: ±900 V

- @ 2 kV (1 kA)

Line to line: ±550 V

Line to earth: ±900 V

**Response time:** ≤ 0.1 μsec.

**Leakage current:**

Line to line: ≤ 100 μA @ ±160 V DC

Line to earth: ≤ 100 μA @ ±160 V DC

**Max. discharge current (Imax):**

Modular jack: 500 A (8 / 20 μs)

Screw terminal: 1000 A (8 / 20 μs)

**Nominal current (In):** 500 mA

**Internal series resistance:** ≤ 0.1 Ω (including return)

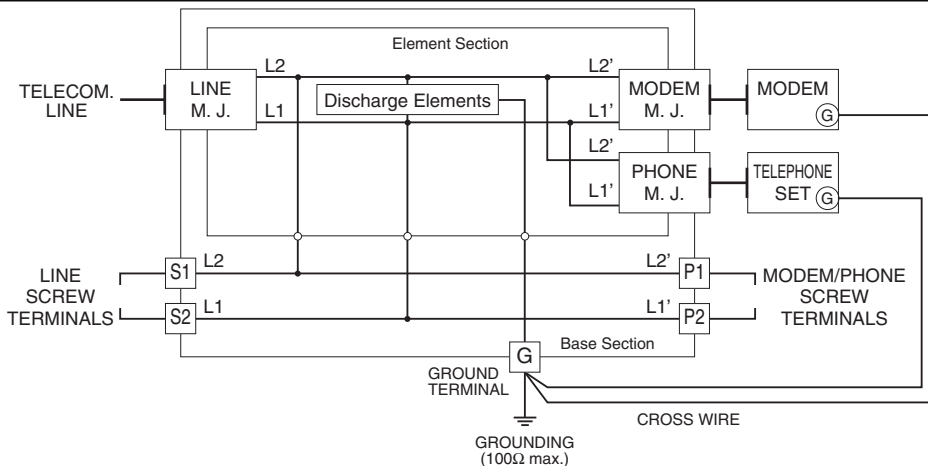
**Capacitance @ 1 MHz:**

Line to line: ≤ 1000 pF

Line to earth: ≤ 100 pF

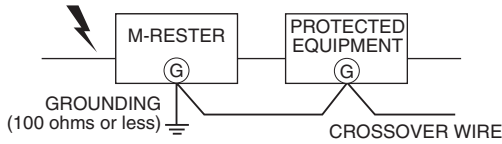
**Surge protection:** IEC 61643-21 Categories C1, C2

## CONNECTION EXAMPLES



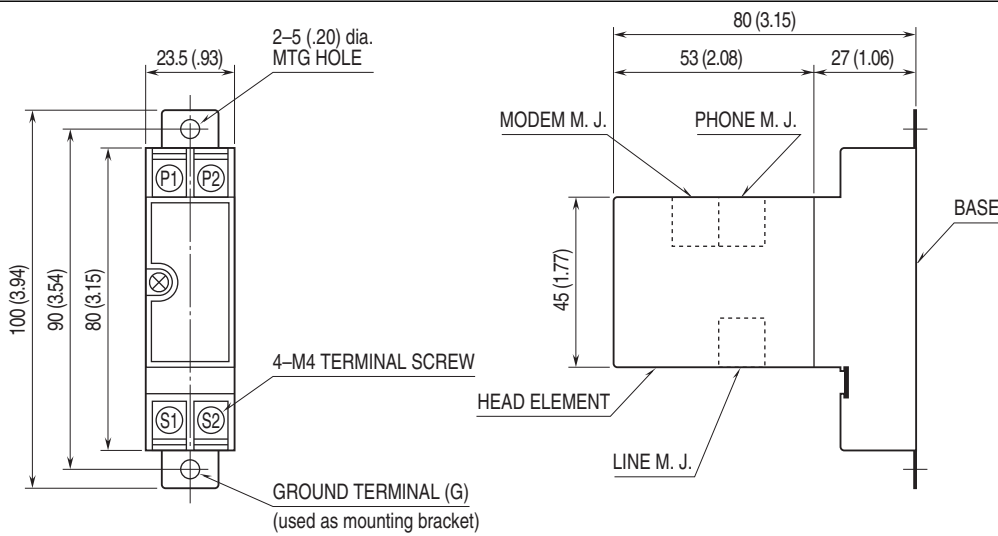
Be sure to cross-wire between G terminals of modem / telephone set and the G terminal of the MDP-TL.

## GROUNDING

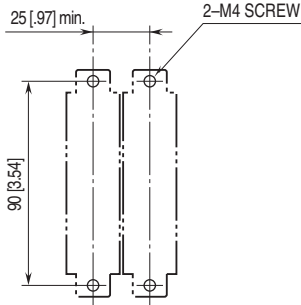


A crossover wire between M-RESTER ground and the ground or metallic housing of the equipment is required for protection. If the protected equipment has no ground terminal, ground the M-RESTER only. When the M-RESTER is mounted with DIN Rail Mounting Adapter, connect the grounding wire to the mounting screw of the M-RESTER.

## EXTERNAL DIMENSIONS & TERMINAL ASSIGNMENTS unit: mm [inch]



**MOUNTING REQUIREMENTS** unit: mm [inch]



Specifications are subject to change without notice.