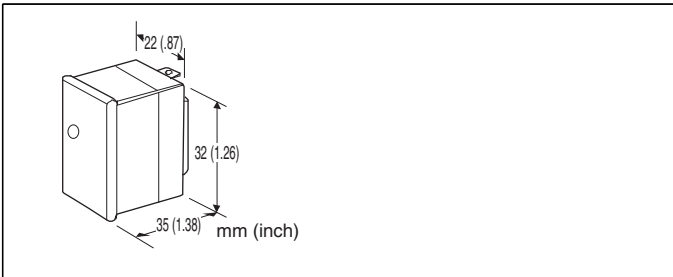


## Lightning Surge Protectors for Electronics Equipment M-RESTER

### SURGE ABSORBER ELEMENT

(For MAX use)



### MODEL: MEL-[1]

#### ORDERING INFORMATION

- Code number: MEL-[1]

Specify a code from below for [1].

(e.g. MEL-100)

#### [1] OPERATIONAL VOLTAGE

**100:** 100 V / 110 V / 120 V AC

**200:** 200 V / 220 V / 240 V AC

#### GENERAL SPECIFICATIONS

**Alarm indicator:** Surge absorber failure indicator turns white when the fuse is blown.

**Alarm Contact:** Contact output when a fuse blows out to prevent fires (ON when abnormality occurs)

#### INSTALLATION

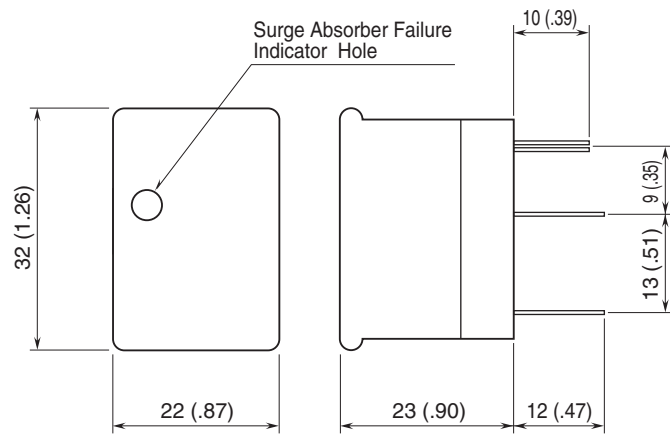
**Operating temperature:** -10 to +55°C (14 to 131°F)

**Storage temperature:** -10 to +65°C (14 to +149°F)

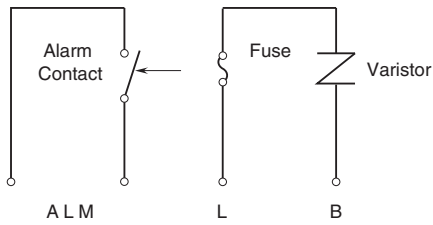
**Operating humidity:** 30 to 90 %RH (non-condensing)

**Weight:** 25 g (0.88 oz)

**DIMENSIONS unit: mm (inch)**



**SCHEMATIC CIRCUITRY**



Specifications are subject to change without notice.