

Plug-in Signal Conditioners M-UNIT

DC ALARM

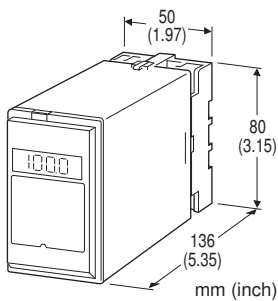
(front control button adjustment)

Functions & Features

- Providing SPDT relay outputs at preset DC input levels
- Dual trip
- Latching or non-latching output
- Deadband, ON-delay, Hi/Lo trip, failsafe action can be programmed with front UP/DOWN control buttons
- Enclosed relays
- High-density mounting

Typical Applications

- Annunciator
- Various alarm applications



MODEL: MSEF-[1]5-[2][3]

ORDERING INFORMATION

- Code number: MSEF-[1]5-[2][3]
- Specify a code from below for each of [1] through [3].
(e.g. MSEF-65-F/Q)
- Specify the specification for option code /Q
(e.g. /C01)

[1] INPUT

Current

A: 4 - 20 mA DC (Input resistance 250 Ω)

B: 2 - 10 mA DC (Input resistance 500 Ω)

C: 1 - 5 mA DC (Input resistance 1000 Ω)

Voltage

4: 0 - 10 V DC (Input resistance 1 MΩ min.)

5: 0 - 5 V DC (Input resistance 1 MΩ min.)

6: 1 - 5 V DC (Input resistance 1 MΩ min.)

OUTPUT

5: Dual trip; SPDT or transfer contact

[2] POWER INPUT

AC Power

B: 100 V AC

C: 110 V AC

D: 115 V AC

F: 120 V AC

G: 200 V AC

H: 220 V AC

J: 240 V AC

DC Power

S: 12 V DC

R: 24 V DC

[3] OPTIONS

blank: none

/Q: Options other than the above (specify the specification)

SPECIFICATIONS OF OPTION: Q (multiple selections)

COATING (For the detail, refer to our web site.)

/C01: Silicone coating

/C02: Polyurethane coating

/C03: Rubber coating

TERMINAL SCREW MATERIAL

/S01: Stainless steel

GENERAL SPECIFICATIONS

Construction: Plug-in

Connection: M3.5 screw terminals

Screw terminal: Chromated steel (standard) or stainless steel

Housing material: Flame-resistant resin (black)

Isolation: Input to output to power

Latching output: Alternatively selectable to deadband option; reset with the power turned OFF.

Front LEDs: Red/green dual-color LED

Run mode: Red turns ON in tripped condition.

L1 for Output 1, L2 for Output 2

Check mode: Green turns ON.

Set mode: Red/green turns ON.

Display: LED, 4-digit digital meter

Display range: -14.0 to +113.5 %

Programming: Front key pad

- Trip point
 - Hysteresis (deadband)
 - Latching
 - Trip operation (Hi/Lo, coil energized/de-energized)
 - ON-delay time
 - Power ON-delay time
- (Refer to the instruction manual)

INPUT SPECIFICATIONS

■ DC Current:

Shunt resistor attached to the input terminals (0.5 W)

OUTPUT SPECIFICATIONS

■ Relay Contact: 100 V AC @ 5 A ($\cos \phi = 1$)

120 V AC @ 5 A ($\cos \phi = 1$)

240 V AC @ 2.5 A ($\cos \phi = 1$)

30 V DC @ 5 A (resistive load)

Maximum switching voltage: 300 V AC or 125 V DC

Maximum switching power: 600 VA or 150 W

Minimum load: 5 V DC @ 10 mA

Mechanical life: 5×10^7 cycles

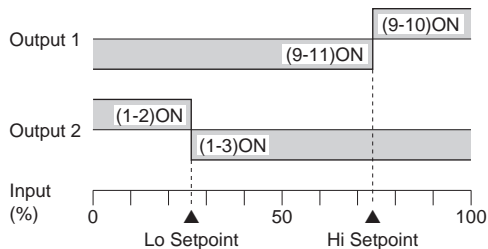
Alarm Trip Operation

Terminal No. in parentheses

[Example]

Output 1: High trip, coil energized at alarm

Output 2: Low trip, coil energized at alarm



Trip Operation in Power Failure: Terminals 1 – 3, 9 – 11 turn on.

INSTALLATION

Power input

•**AC:** Operational voltage range: rating $\pm 10\%$,
50/60 ± 2 Hz, approx. 3 VA

•**DC:** Operational voltage range: rating $\pm 10\%$,
ripple 10 %p-p max., approx. 3 W (120 mA at 24 V)

Operating temperature: -5 to +60°C (23 to 140°F)

Operating humidity: 30 to 90 %RH (non-condensing)

Mounting: Surface or DIN rail

Weight: 400 g (0.88 lb)

PERFORMANCE in percentage of span

Setpoint accuracy: $\pm 0.5\%$

Display accuracy: $\pm 0.1\%$

Deadband setpoint accuracy: $\pm 0.3\%$

Trip point repeatability: $\pm 0.1\%$

Temp. coefficient: $\pm 0.015\%/^{\circ}\text{C}$ ($\pm 0.008\%/^{\circ}\text{F}$)

Response time: ≤ 0.5 sec. (0 - 100 % at 90 % setpoint)

Line voltage effect: $\pm 0.1\%$ over voltage range

Insulation resistance: ≥ 100 M Ω with 500 V DC

Dielectric strength: 2000 V AC @1 minute (input to output to power to ground)

STANDARDS & APPROVALS

EU conformity:

EMC Directive

EMI EN 61000-6-4

EMS EN 61000-6-2

Low Voltage Directive

EN 61010-1

Measurement Category II (output)

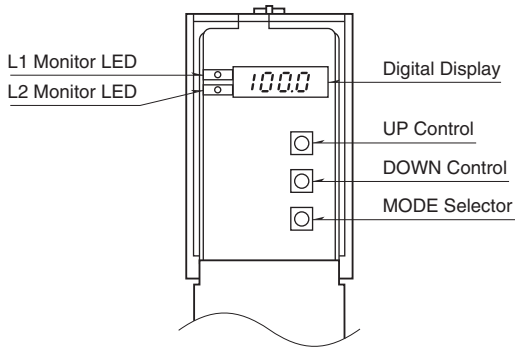
Installation Category II (power)

Pollution Degree 2

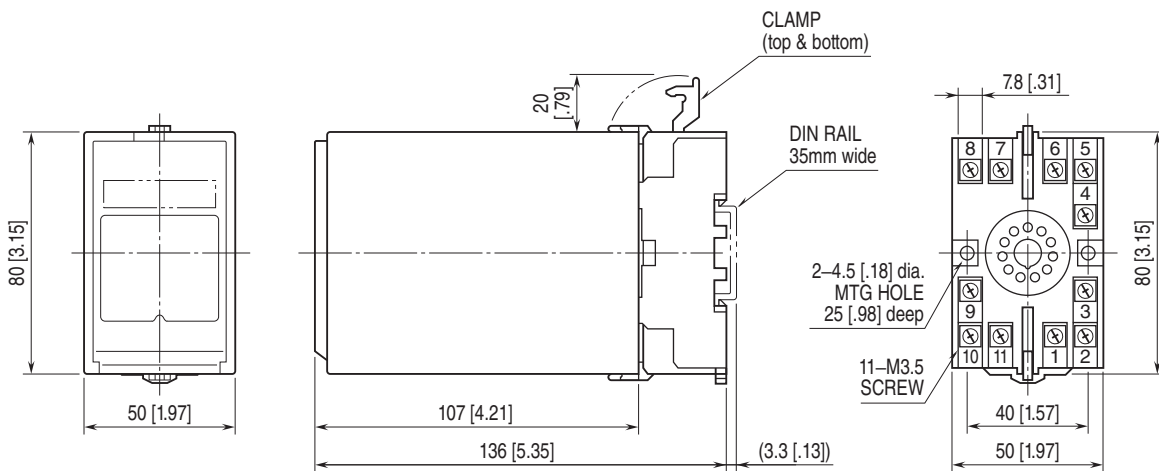
Input to output to power: Basic insulation (300 V)

RoHS Directive

EXTERNAL VIEW

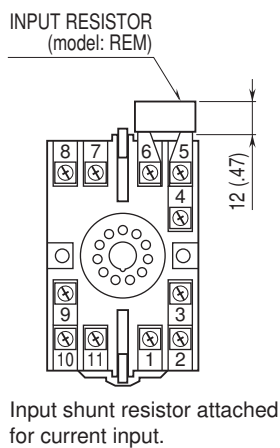


EXTERNAL DIMENSIONS unit: mm [inch]

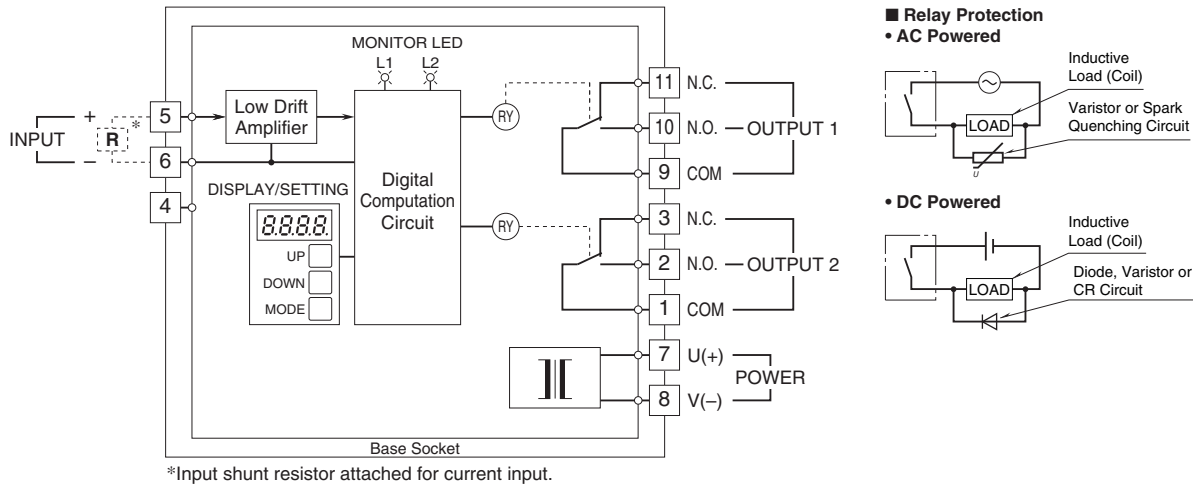


• When mounting, no extra space is needed between units.

TERMINAL ASSIGNMENTS unit: mm [inch]



SCHEMATIC CIRCUITRY & CONNECTION DIAGRAM



Specifications are subject to change without notice.