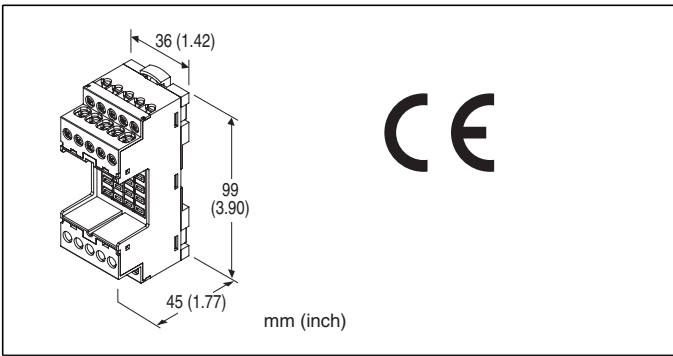


INSTALLATION BASE



MODEL: M1E-BS2[1]

ORDERING INFORMATION

- Code number: M1E-BS2[1]
- Specify a code from below for [1].
(e.g. M1E-BS2/Q)
- Specify the specification for option code /Q
(e.g. /C01)

TYPE

2: For M1E-1 series / M1E-2 series / M1E-4 series

[1] OPTIONS

- blank:** none
/Q: With options (specify the specification)

SPECIFICATIONS OF OPTION: Q

- COATING (For the detail, refer to our web site.)
/C01: Silicone coating
/C02: Polyurethane coating
/C03: Rubber coating

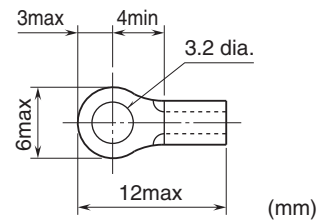
RELATED PRODUCTS

- Multi-output super-mini signal conditioners with display M1E-1 series
- 2 channel super-mini signal conditioners with display M1E-2 series
- Multi-channel super-mini signal conditioners with display M1E-4 series

GENERAL SPECIFICATIONS

- Construction:** Plug-in
Connection: M2.6 screw terminals (torque 0.5 N·m)
 • Connected to transmitter body with connector
Screw terminal: Nickel-plated steel
Housing material: Flame-resistant resin (black)

■ Recommended solderless terminal size - M3 (unit: mm)



INSTALLATION

- Operating temperature:** -5 to +55°C (23 to 131°F)
Storage temperature: -5 to +55°C (23 to 131°F)
Operating humidity: 10 to 85 %RH (non-condensing)
Atmosphere: No corrosive gas or heavy dust
Mounting: Surface or DIN rail (35 mm rail)
Weight: Approx. 105 g (0.23 lb) without a transmitter body

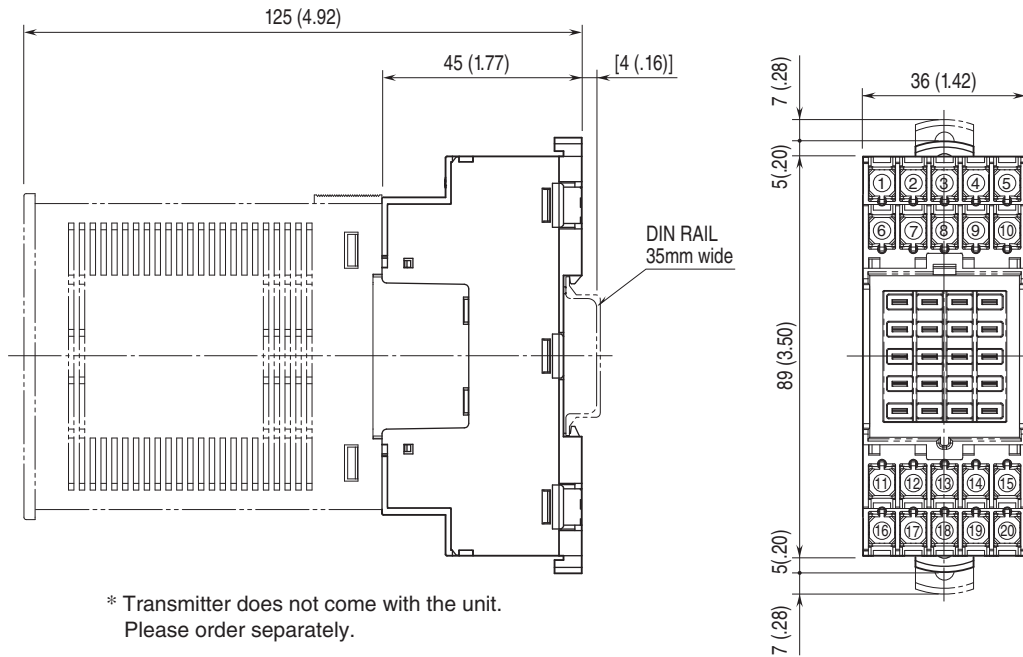
PERFORMANCE

- Insulation resistance:** ≥ 100 MΩ with 500 V DC (between terminals)
Dielectric strength: 1500 V AC @ 1 minute (between terminals)

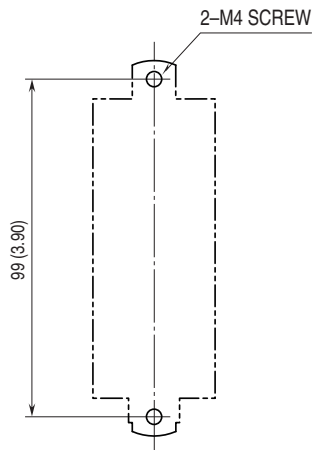
STANDARDS & APPROVALS

- Conforming to related products
 RoHS Directive

EXTERNAL DIMENSIONS & TERMINAL ASSIGNMENTS unit: mm [inch]



MOUNTING REQUIREMENTS unit: mm [inch]



Specifications are subject to change without notice.