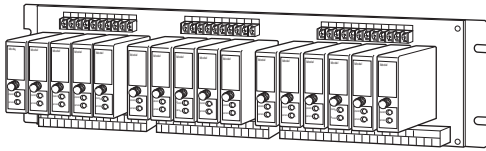


Super-mini Signal Conditioners Mini-M Series

INSTALLATION BASE (16 positions)

Functions & Features

- Receiving at the maximum of 16 modules of Mini-M series signal conditioners
- Screw terminal or connector output
- Power supplied through printed wiring on the base



MODEL: M2BS-16[1][2]

ORDERING INFORMATION

- Code number: M2BS-16[1][2]

Specify a code from below for each of [1] and [2].
(e.g. M2BS-16U2/D/UL)

[1] FUNCTION

- U0:** Screw terminal block
- U1:** Fujitsu FCN type I/O connector (UL not available)
- U2:** Omron I/O connector

[2] OPTIONS (multiple selections)

Mounting

blank: Surface

/D: DIN rail mounting adaptor (Not selectable for M2BS-16U0)

Standards & Approvals

blank: CE marking

/UK: CE, UKCA marking

/UL: UL approval, CE marking

RELATED PRODUCTS

- Connector terminal block (model: CNT)
- Special cable with 40-pin connector (model: FCN)

GENERAL SPECIFICATIONS

Capacity: 16 positions

Connection

Power input: M3 screw terminals (torque 0.8 N·m)

Input and output: M3 screw terminals (torque 0.8 N·m)

Screw terminal: Nickel-plated steel

INSTALLATION

Power input: Refer to signal conditioner data sheet. Choose the same power input specification for all units.

Operating temperature: -5 to +55°C (23 to 131°F)

Operating humidity: 30 to 90 %RH (non-condensing)

Mounting: Surface; optional DIN rail mounting available for M2BS-16U1, U2 (in horizontal direction only)

Weight: 1.8 kg (4.0 lb)

PERFORMANCE

Insulation resistance: $\geq 100 \text{ M}\Omega$ with 500 V DC

(input to output to power to FG)

Dielectric strength: 2000 V AC @1 minute (input to output to power to FG)

STANDARDS & APPROVALS

EU conformity:

EMC Directive

EMI EN 61000-6-4

EMS EN 61000-6-2

Low Voltage Directive

EN 61010-1

Installation Category II

Pollution Degree 2

Input or output to power: Reinforced insulation (300 V)

Input to output: Basic insulation (300 V)

RoHS Directive

UK conformity (UKCA):

The UK legislations and designated standards are equivalent to the applicable EU directives.

(Refer to our website for more information about the legislations and designated standards.)

Approval:

UL/C-UL nonincendive Class I, Division 2,

Groups A, B, C, and D

(ANSI/ISA-12.12.01, CAN/CSA-C22.2 No.213)

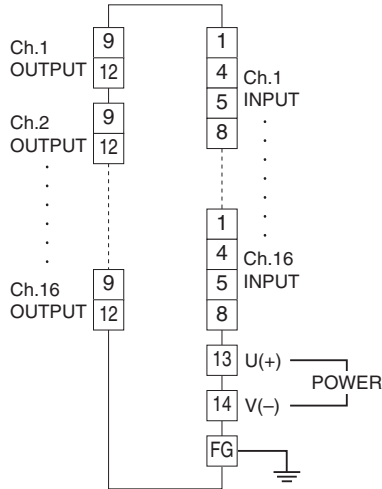
UL/C-UL general safety requirements

(UL 3111-1, CAN/CSA-C22.2 No.1010-1)

Voltage at the field I/O terminals (except power input terminals) limited within 30 V DC for UL.

CONNECTION DIAGRAM

- MODEL: M2BS-16U0 (screw terminal block)
- CONNECTION DIAGRAM



- MODEL: M2BS-16U1 (Fujitsu FCN type I/O connector)

- Connector Pin Assignment

I/O Connector: OTAX N364P040AU

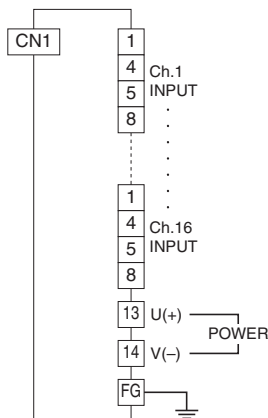
(Fujitsu FCN-364P040-AU...discontinued)

CN1: output

PIN NO.	ASSIGNMENT	PIN NO.	ASSIGNMENT
A1	ch.1 +	B1	ch.1 -
A2	ch.2 +	B2	ch.2 -
A3	ch.3 +	B3	ch.3 -
A4	ch.4 +	B4	ch.4 -
A5	ch.5 +	B5	ch.5 -
A6	ch.6 +	B6	ch.6 -
A7	ch.7 +	B7	ch.7 -
A8	ch.8 +	B8	ch.8 -
A9	ch.9 +	B9	ch.9 -
A10	ch.10 +	B10	ch.10 -
A11	ch.11 +	B11	ch.11 -
A12	ch.12 +	B12	ch.12 -
A13	ch.13 +	B13	ch.13 -
A14	ch.14 +	B14	ch.14 -
A15	ch.15 +	B15	ch.15 -
A16	ch.16 +	B16	ch.16 -

A17 - A20, B17 - B20: Unused

- CONNECTION DIAGRAM



■ MODEL: M2BS-16U2 (Omron I/O connector)

• Connector Pin Assignment

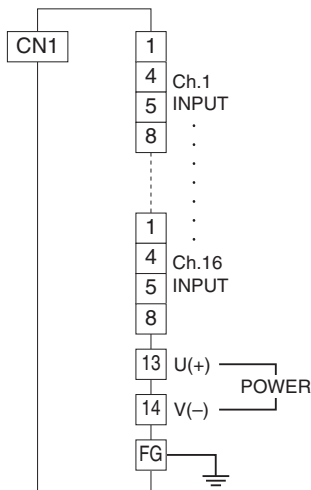
I/O Connector: Omron XG4A-3431

CN1: output

PIN NO.	ASSIGNMENT	PIN NO.	ASSIGNMENT
1	ch.1 +	2	ch.1 -
3	ch.2 +	4	ch.2 -
5	ch.3 +	6	ch.3 -
7	ch.4 +	8	ch.4 -
9	ch.5 +	10	ch.5 -
11	ch.6 +	12	ch.6 -
13	ch.7 +	14	ch.7 -
15	ch.8 +	16	ch.8 -
17	ch.9 +	18	ch.9 -
19	ch.10 +	20	ch.10 -
21	ch.11 +	22	ch.11 -
23	ch.12 +	24	ch.12 -
25	ch.13 +	26	ch.13 -
27	ch.14 +	28	ch.14 -
29	ch.15 +	30	ch.15 -
31	ch.16 +	32	ch.16 -

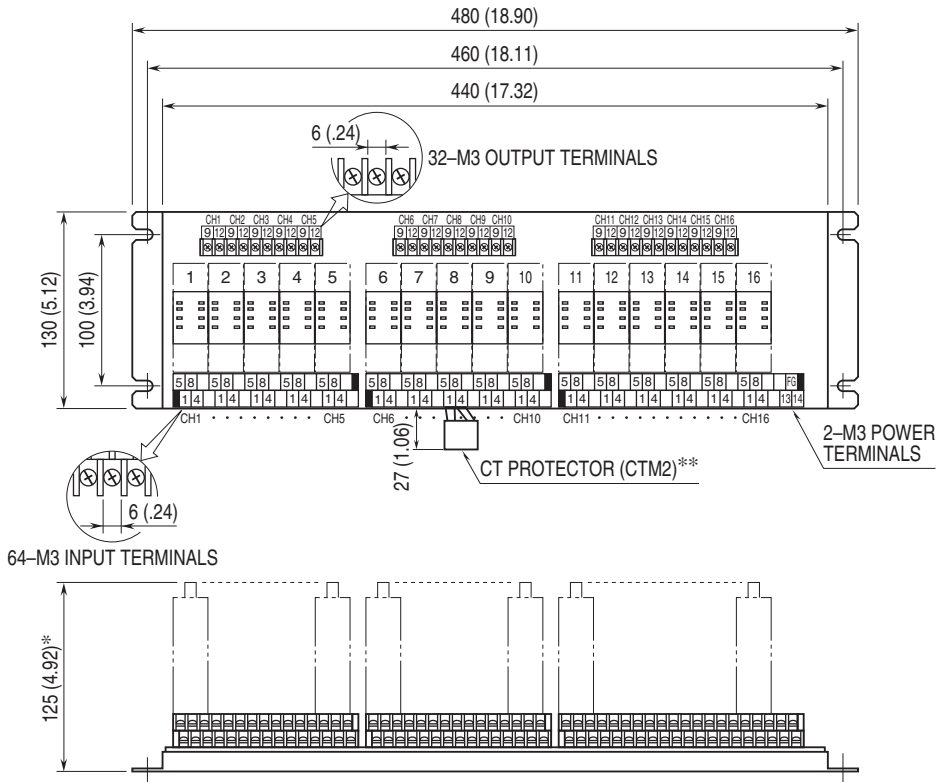
33, 34: Unused

■ CONNECTION DIAGRAM



EXTERNAL DIMENSIONS & TERMINAL ASSIGNMENTS unit: mm [inch]

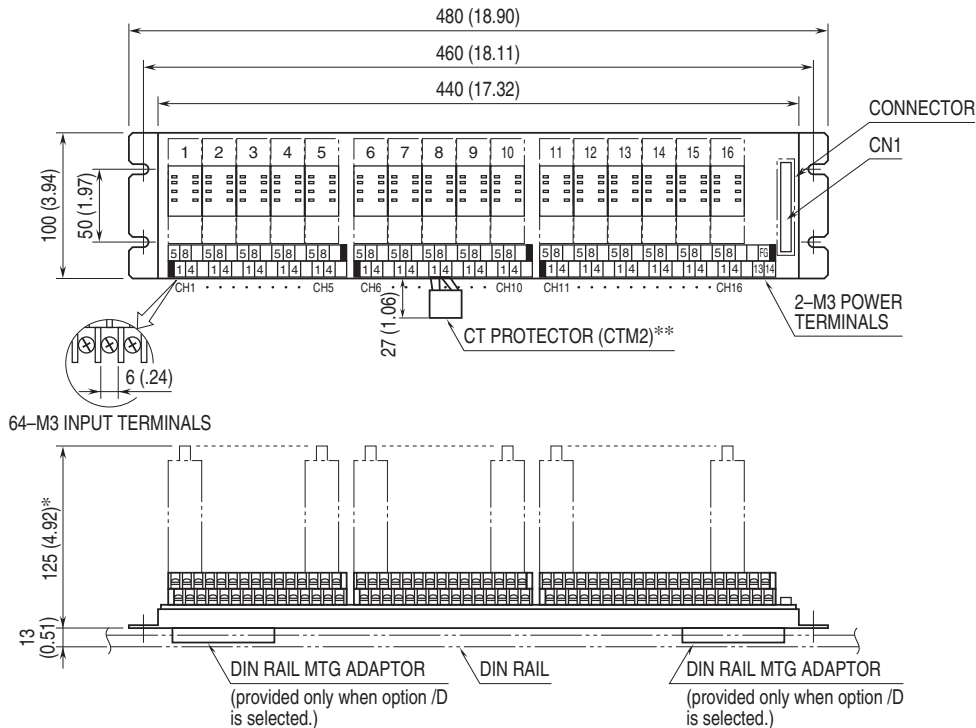
■ M2BS-16U0



*165 (6.50) required for pneumatic tubing for M2PV.

**Attached to M2CA and M2CE.

■ M2BS-16U1, U2

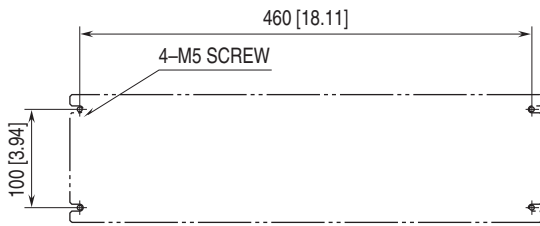


*165 (6.50) required for pneumatic tubing for M2PV.

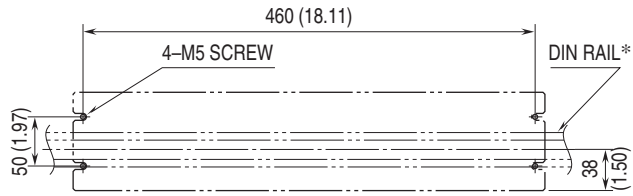
**Attached to M2CA and M2CE.

MOUNTING REQUIREMENTS unit: mm [inch]

■ M2BS-16U0



■ M2BS-16U1, U2



*Installed in horizontal direction only.



Specifications are subject to change without notice.