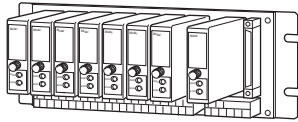


## Super-mini Signal Conditioners Mini-M Series

### INSTALLATION BASE (8 positions)

#### Functions & Features

- Receiving at the maximum of 8 modules of Mini-M series signal conditioners
- Connector output
- Power supplied through printed wiring on the base



### MODEL: M2BS-8[1][2]

#### ORDERING INFORMATION

- Code number: M2BS-8[1][2]
- Specify a code from below for each of [1] and [2].  
(e.g. M2BS-8U2/D/UL)

#### [1] FUNCTION

- U1:** Fujitsu FCN type I/O connector (UL not available)
- U2:** Omron I/O connector

#### [2] OPTIONS (multiple selections)

Mounting

**blank:** Surface

**/D:** DIN rail mounting adaptor

Standards & Approvals

**blank:** Without UL

**/UL:** UL approval

#### RELATED PRODUCTS

- Connector terminal block (model: CNT)
- Special cable with 40-pin connector (model: FCN)

#### GENERAL SPECIFICATIONS

**Capacity:** 8 positions

**Connection**

**Power input:** M3 screw terminals (torque 0.8 N·m)

**Input and output:** M3 screw terminals (torque 0.8 N·m)

**Screw terminal:** Nickel-plated steel

#### INSTALLATION

**Power input:** Refer to signal conditioner data sheet. Choose the same power input specification for all units.

**Operating temperature:** -5 to +55°C (23 to 131°F)

**Operating humidity:** 30 to 90 %RH (non-condensing)

**Mounting:** wall; optional DIN rail mounting available (in horizontal direction only)

**Weight:** 780 g (1.72 lb)

#### PERFORMANCE

**Insulation resistance:**  $\geq 100 \text{ M}\Omega$  with 500 V DC

(input to output to power to FG)

**Dielectric strength:** 2000 V AC @1 minute (input to output to power to FG)

#### STANDARDS & APPROVALS

**EU conformity:**

EMC Directive

EMI EN 61000-6-4

EMS EN 61000-6-2

Low Voltage Directive

EN 61010-1

Installation Category II

Pollution Degree 2

Input or output to power: Reinforced insulation (300 V)

Input to output: Basic insulation (300 V)

RoHS Directive

**Approval:**

UL/C-UL nonincendive Class I, Division 2,

Groups A, B, C, and D

(ANSI/ISA-12.12.01, CAN/CSA-C22.2 No.213)

UL/C-UL general safety requirements

(UL 3111-1, CAN/CSA-C22.2 No.1010-1)

Voltage at the field I/O terminals (except power input terminals) limited within 30 V DC for UL.

## CONNECTION DIAGRAM

### ■ MODEL: M2BS-8U1 (Fujitsu FCN type I/O connector)

#### • Connector Pin Assignment

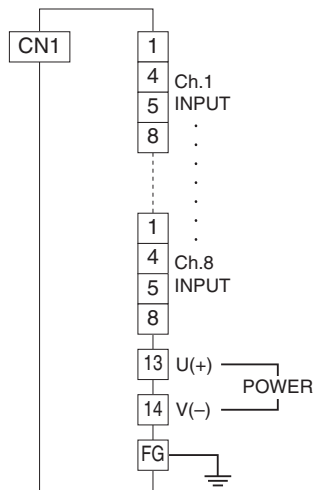
I/O Connector: OTAX N364P040AU

(Fujitsu FCN-364P040-AU...discontinued)

CN1: output

PIN NO.	ASSIGNMENT	PIN NO.	ASSIGNMENT
A1	ch.1 +	B1	ch.1 -
A2	ch.2 +	B2	ch.2 -
A3	ch.3 +	B3	ch.3 -
A4	ch.4 +	B4	ch.4 -
A5	ch.5 +	B5	ch.5 -
A6	ch.6 +	B6	ch.6 -
A7	ch.7 +	B7	ch.7 -
A8	ch.8 +	B8	ch.8 -
A9 - A20, B9 - B20: Unused			

### ■ CONNECTION DIAGRAM



### ■ MODEL: M2BS-8U2 (Omron I/O connector)

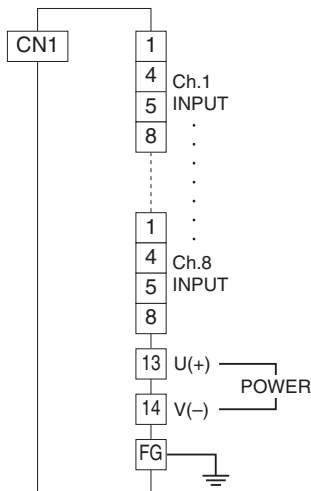
#### • Connector Pin Assignment

I/O Connector: Omron XG4A-3431

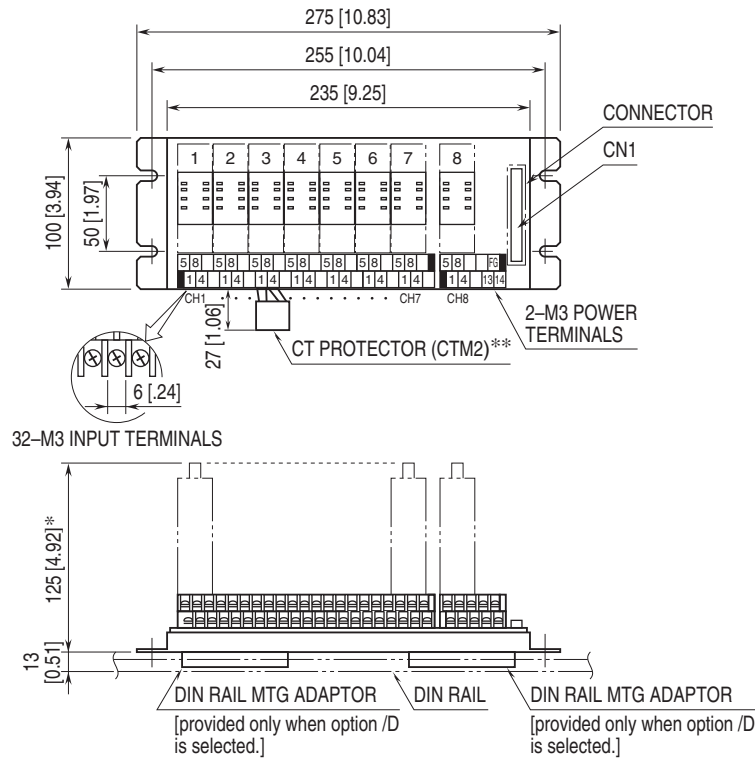
CN1: output

PIN NO.	ASSIGNMENT	PIN NO.	ASSIGNMENT
1	ch.1 +	2	ch.1 -
3	ch.2 +	4	ch.2 -
5	ch.3 +	6	ch.3 -
7	ch.4 +	8	ch.4 -
9	ch.5 +	10	ch.5 -
11	ch.6 +	12	ch.6 -
13	ch.7 +	14	ch.7 -
15	ch.8 +	16	ch.8 -
17 - 34: Unused			

## ■ CONNECTION DIAGRAM



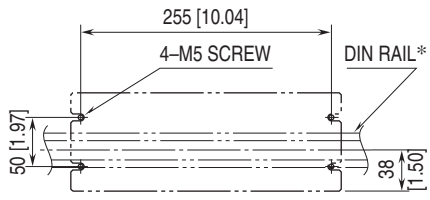
## EXTERNAL DIMENSIONS & TERMINAL ASSIGNMENTS unit: mm [inch]



\*165 [6.50] required for pneumatic tubing for M2PV.

\*\*Attached to M2CA and M2CE.

**MOUNTING REQUIREMENTS** unit: mm [inch]



\*Installed in horizontal direction only.



Specifications are subject to change without notice.