

Super-mini Signal Conditioners Mini-M Series

CURRENT LOOP SUPPLY

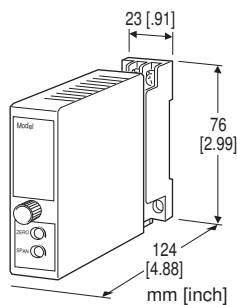
(applicable to HART signal, opencircuit detection selectable)

Functions & Features

- Powers a 4 - 20 mA DC current loop
- Isolates and relays HART signals
- Shortcircuit protection
- Opencircuit detection selectable
- Applicable to smart transmitters

Typical Applications

- 2-wire HART transmitters



MODEL: M2DYH2-24A-[1][2]

ORDERING INFORMATION

- Code number: M2DYH2-24A-[1][2]
Specify a code from below for each of [1] and [2].
(e.g. M2DYH2-24A-M2/B/CE/Q)
- Specify the specification for option code /Q
(e.g. /C01/S01)

SUPPLY OUTPUT

24: 24 V DC

INPUT

Current
4 - 20 mA DC (Input resistance approx. 250 Ω)

OUTPUT

Current
A: 4 - 20 mA DC (Load resistance 600 Ω max.)

[1] POWER INPUT

AC Power
M2: 100 - 240 V AC (Operational voltage range 85 - 264 V,
47 - 66 Hz)

DC Power
R: 24 V DC
(Operational voltage range 24 V ±10 %, ripple 10 %p-p max.)
R2: 11 - 27 V DC
(Operational voltage range 11 - 27 V, ripple 10 %p-p max.)
(Select '/N' for 'Standards & Approvals' code.)
P: 110 V DC
(Operational voltage range 85 - 150 V, ripple 10 %p-p max.)

[2] OPTIONS (multiple selections)

Opencircuit detection
blank: none
/B: Opencircuit detector
Standards & Approvals (must be specified)
/N: Without CE
/CE: CE marking
Other Options
blank: none
/Q: Option other than the above (specify the specification)

SPECIFICATIONS OF OPTION: Q (multiple selections)

COATING (For the detail, refer to our web site.)
/C01: Silicone coating
/C02: Polyurethane coating
/C03: Rubber coating
/C04: Polyolefin coating
TERMINAL SCREW MATERIAL
/S01: Stainless steel

GENERAL SPECIFICATIONS

Construction: Plug-in
Connection: M3 screw terminals (torque 0.8 N·m)
Screw terminal: Chromated steel (standard) or stainless steel
Housing material: Flame-resistant resin (black)
Isolation: Input to output to power
Overrange output: Approx. -10 to +110 %
Zero adjustment: -5 to +5 % (front)
Span adjustment: 95 to 105 % (front)
Opencircuit detection: Input current 0 mA when the output loop is open.
Photo MOSFET Relay ON Resistance; 3 Ω max.

SUPPLY OUTPUT

(across the terminals 1 - 5)
Output voltage: 24 - 28 V DC with no load
18 V DC min. at 20 mA
Current rating: ≤ 22 mA DC
• **Shortcircuit Protection**
Current limited: 30 mA max.

Protected time duration: No limit

INPUT SPECIFICATIONS

■ **DC Current:** Input resistor incorporated

Input current: ≥ 0 mA

HART COMMUNICATION

Transmission gain: Approx. -3 dB (within 1 - 3 kHz)

measured with 250 Ω at output

Output load (loop impedance) 250 $\Omega \pm 10\%$ is required for HART communication.

Communication directions: Bidirectional

INSTALLATION

Power Consumption

• **AC:**

Approx. 4 VA at 100 V

Approx. 6 VA at 200 V

Approx. 7 VA at 264 V

• **DC:** Approx. 3 W

Operating temperature: -5 to +55°C (23 to 131°F)

Operating humidity: 30 to 90 %RH (non-condensing)

Mounting: Surface or DIN rail

Weight: 150 g (0.33 lb)

PERFORMANCE in percentage of span

Accuracy: ± 0.1 %

Temp. coefficient: ± 0.015 %/°C (± 0.008 %/°F)

Response time: ≤ 0.5 sec. (0 - 90 %)

Line voltage effect

Supply output: ± 3 % over voltage range

Output signal: ± 0.1 % over voltage range

Insulation resistance: ≥ 100 M Ω with 500 V DC

Dielectric strength: 2000 V AC @1 minute (input to output to power to ground)

STANDARDS & APPROVALS

EU conformity:

EMC Directive

EMI EN 61000-6-4

EMS EN 61000-6-2

Low Voltage Directive

EN 61010-1

Installation Category II

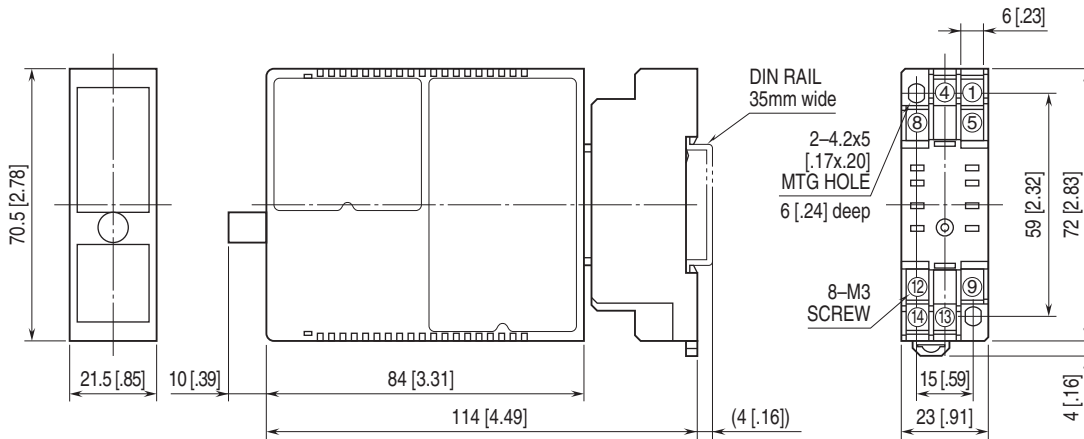
Pollution Degree 2

Input or output to power: Reinforced insulation (300 V)

Input to output: Basic insulation (300 V)

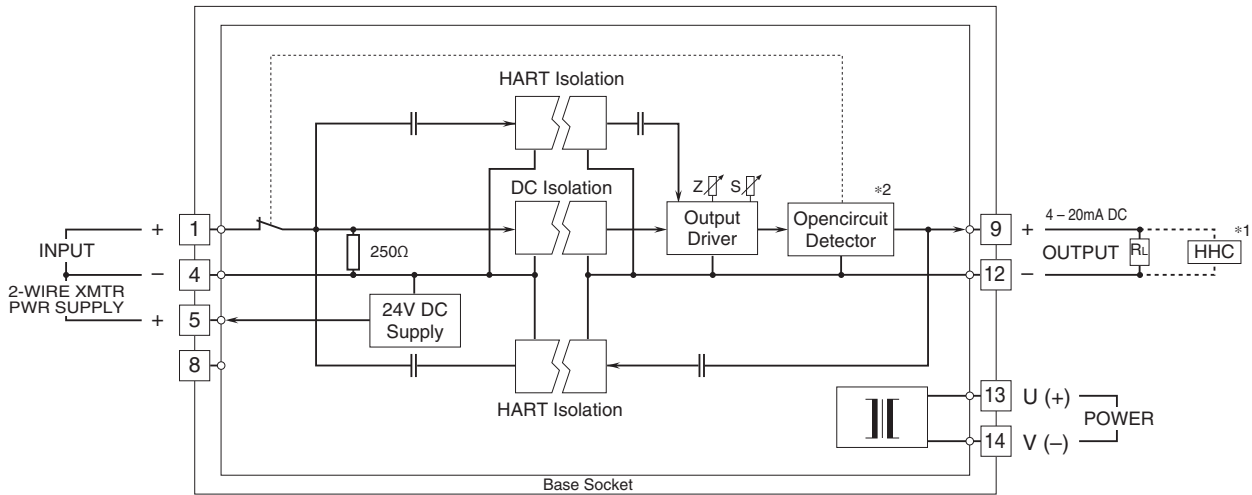
RoHS Directive

EXTERNAL DIMENSIONS & TERMINAL ASSIGNMENTS unit: mm [inch]



• When mounting, no extra space is needed between units.

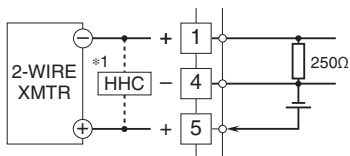
SCHEMATIC CIRCUITRY & CONNECTION DIAGRAM



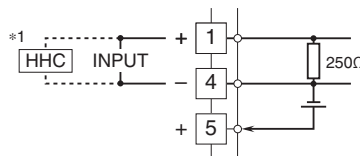
*1. Hand-held communicator

*2. Only for opencircuit detector (code /B)

■ When Used as DC Supply



■ When Used as Isolator



Specifications are subject to change without notice.