

Super-mini Signal Conditioners Mini-M Series

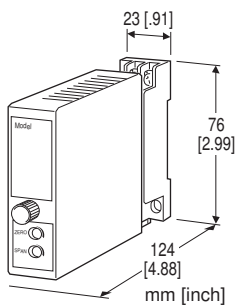
MULTIPLIER

Functions & Features

- Receives two DC inputs and provides an output proportional to the multiplication of the inputs

Typical Applications

- DC watt-meter (Multiplying a voltage input and a current input)
- Remote gain control (in conjunction with a potentiometer transmitter which accepts a gain setting and provides a 1 - 5 V DC to the M2MLS)



MODEL: M2MLS-[1][2][3]-[4][5]

ORDERING INFORMATION

- Code number: M2MLS-[1][2][3]-[4][5]
Specify a code from below for each of [1] through [5].
(e.g. M2MLS-6AA-M2/CE/Q)
- Ratios (e.g. $K_1 = 0.20$, $K_2 = 2.00$)
- Special input and output ranges (For codes Z & 0)
- Specify the specification for option code /Q
(e.g. /C01/S01)

[1] INPUT 1

Current

- A:** 4 - 20 mA DC (Input resistance 250 Ω)
- A1:** 4 - 20 mA DC (Input resistance 50 Ω)
- B:** 2 - 10 mA DC (Input resistance 500 Ω)
- C:** 1 - 5 mA DC (Input resistance 1000 Ω)
- D:** 0 - 20 mA DC (Input resistance 50 Ω)
- E:** 0 - 16 mA DC (Input resistance 62.5 Ω)
- F:** 0 - 10 mA DC (Input resistance 100 Ω)
- G:** 0 - 1 mA DC (Input resistance 1000 Ω)
- H:** 10 - 50 mA DC (Input resistance 100 Ω)
- J:** 0 - 10 μ A DC (Input resistance 1000 Ω)
- K:** 0 - 100 μ A DC (Input resistance 1000 Ω)
- GW:** -1 - +1 mA DC (Input resistance 1000 Ω)
- FW:** -10 - +10 mA DC (Input resistance 100 Ω)

Z: Specify current (See INPUT SPECIFICATIONS)
Voltage

- 1:** 0 - 10 mV DC (Input resistance 10 k Ω min.)
- 2:** 0 - 100 mV DC (Input resistance 100 k Ω min.)
- 3:** 0 - 1 V DC (Input resistance 1 M Ω min.)
- 4:** 0 - 10 V DC (Input resistance 1 M Ω min.)
- 5:** 0 - 5 V DC (Input resistance 1 M Ω min.)
- 6:** 1 - 5 V DC (Input resistance 1 M Ω min.)
- 4W:** -10 - +10 V DC (Input resistance 1 M Ω min.)
- 5W:** -5 - +5 V DC (Input resistance 1 M Ω min.)
- 0:** Specify voltage (See INPUT SPECIFICATIONS)

[2] INPUT 2

Same range availability as Input 1

[3] OUTPUT

Current

- A:** 4 - 20 mA DC (Load resistance 750 Ω max.)
 - B:** 2 - 10 mA DC (Load resistance 1500 Ω max.)
 - C:** 1 - 5 mA DC (Load resistance 3000 Ω max.)
 - D:** 0 - 20 mA DC (Load resistance 750 Ω max.)
 - E:** 0 - 16 mA DC (Load resistance 900 Ω max.)
 - F:** 0 - 10 mA DC (Load resistance 1500 Ω max.)
 - G:** 0 - 1 mA DC (Load resistance 15 k Ω max.)
 - Z:** Specify current (See OUTPUT SPECIFICATIONS)
- Voltage
- 1:** 0 - 10 mV DC (Load resistance 10 k Ω min.)
 - 2:** 0 - 100 mV DC (Load resistance 100 k Ω min.)
 - 3:** 0 - 1 V DC (Load resistance 1000 Ω min.)
 - 4:** 0 - 10 V DC (Load resistance 10 k Ω min.)
 - 5:** 0 - 5 V DC (Load resistance 5000 Ω min.)
 - 6:** 1 - 5 V DC (Load resistance 5000 Ω min.)
 - 4W:** -10 - +10 V DC (Load resistance 10 k Ω min.)
 - 5W:** -5 - +5 V DC (Load resistance 5000 Ω min.)
 - 0:** Specify voltage (See OUTPUT SPECIFICATIONS)

[4] POWER INPUT

AC Power

M2: 100 - 240 V AC (Operational voltage range 85 - 264 V, 47 - 66 Hz)
(90 - 264 V for UL)

DC Power

- R:** 24 V DC
(Operational voltage range 24 V \pm 10 %, ripple 10 %p-p max.)
- R2:** 11 - 27 V DC
(Operational voltage range 11 - 27 V, ripple 10 %p-p max.)
(Select 'N' for 'Standards & Approvals' code.)
- P:** 110 V DC
(Operational voltage range 85 - 150 V, ripple 10 %p-p max.)
(110 V \pm 10 % for UL)

[5] OPTIONS (multiple selections)

Standards & Approvals (must be specified)

/N: Without CE or UL

/CE: CE marking

/UL: UL approval, CE marking

Other Options

blank: none

/Q: Option other than the above (specify the specification)

SPECIFICATIONS OF OPTION: Q (multiple selections)

COATING (For the detail, refer to our web site.)

/C01: Silicone coating

/C02: Polyurethane coating

/C03: Rubber coating (UL not available)

/C04: Polyolefin coating (UL not available)

TERMINAL SCREW MATERIAL

/S01: Stainless steel (UL not available)

GENERAL SPECIFICATIONS

Construction: Plug-in

Connection: M3 screw terminals (torque 0.8 N·m)

Screw terminal: Chromated steel (standard) or stainless steel

Housing material: Flame-resistant resin (black)

Isolation: Input 1 or input 2 to output to power (Negative sides of the input 1 and 2 must be of the same potential.)

Overrange output: 0 to 120 % (approx.) at 1 - 5 V

Zero adjustment: -5 to +5 % (front)

Span adjustment: 95 to 105 % (front)

Equation: Output = $K_1 \times \text{Input 1} \times K_2 \times \text{Input 2}$

K_1, K_2 : 0.20 to 2.00 specified when ordering
($0.40 \leq K_1 \times K_2 \leq 2.00$)

Input 1, Input 2: 0 to 120%

Forcibly limited to 0% and 120% respectively when the signal is out of range.

INPUT SPECIFICATIONS

■ **DC Current:** Input resistor incorporated
Specify input resistance value for code Z.
($R \leq 0.25 \text{ W} \div [\text{F.S. Current}]^2$)

■ **DC Voltage:** -300 - +300 V DC

Minimum span: 10 mV

Offset: Max. 1.5 times span

Input resistance

Span 10 - 100 mV : $\geq 10 \text{ k}\Omega$

Span 0.1 - 1 V : $\geq 100 \text{ k}\Omega$

Span $\geq 1 \text{ V}$: $\geq 1 \text{ M}\Omega$

OUTPUT SPECIFICATIONS

■ **DC Current:** 0 - 20 mA DC

Minimum span: 1 mA

Offset: Max. 1.5 times span

Load resistance: Output drive 15 V max.

■ **DC Voltage:** -10 - +12 V DC

Minimum span: 5 mV

Offset: Max. 1.5 times span

Load resistance: Output drive 1 mA max.; at $\geq 0.5 \text{ V}$

INSTALLATION

Power Consumption

•AC:

Approx. 3 VA at 100 V

Approx. 4 VA at 200 V

Approx. 5 VA at 264 V

•DC: Approx. 3 W

Operating temperature: -5 to +55°C (23 to 131°F)

Operating humidity: 30 to 90 %RH (non-condensing)

Mounting: Surface or DIN rail

Weight: 150 g (0.33 lb)

PERFORMANCE in percentage of span

Accuracy: $\pm 0.2 \%$ ($\pm 0.4 \%$ with $K_1 \times K_2$ exceeding 1.00)

Temp. coefficient: $\pm 0.02 \%/^{\circ}\text{C}$ ($\pm 0.01 \%/^{\circ}\text{F}$)

Response time: $\leq 0.5 \text{ sec.}$ (0 - 90 %)

Line voltage effect: $\pm 0.1 \%$ over voltage range

Insulation resistance: $\geq 100 \text{ M}\Omega$ with 500 V DC

Dielectric strength: 2000 V AC @1 minute (input 1 or input 2 to output to power to ground)

STANDARDS & APPROVALS

EU conformity:

EMC Directive

EMI EN 61000-6-4

EMS EN 61000-6-2

Low Voltage Directive

EN 61010-1

Measurement Category II (input)

Installation Category II (power)

Pollution Degree 2

Input 1 or input 2 or output to power input:

Reinforced insulation (300 V)

Input 1 or input 2 to output: Basic insulation (300 V)

RoHS Directive

Approval:

UL/C-UL nonincendive Class I, Division 2,

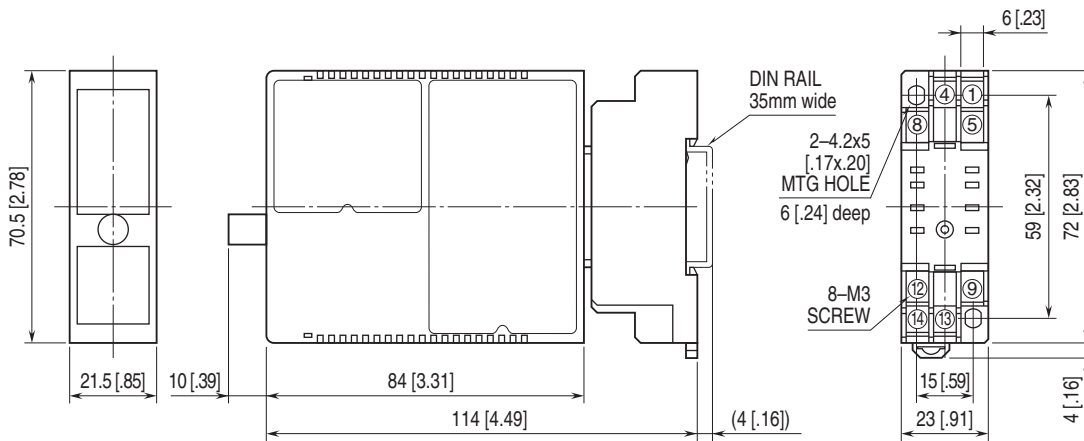
Groups A, B, C, and D

(ANSI/ISA-12.12.01, CAN/CSA-C22.2 No.213)

UL/C-UL general safety requirements

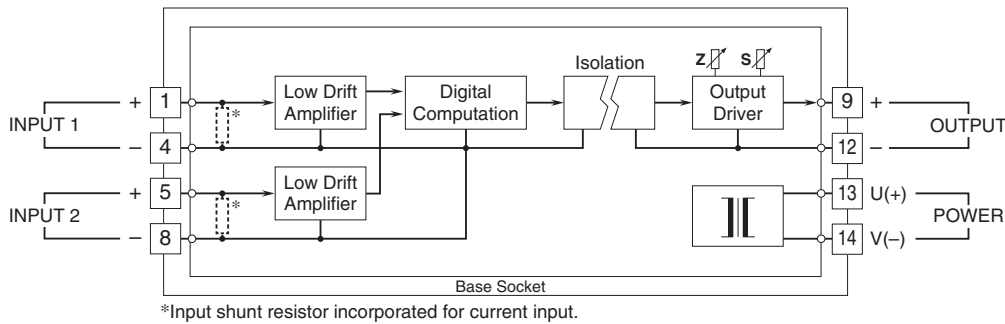
(UL 61010-1, CAN/CSA-C22.2 No.61010-1)

EXTERNAL DIMENSIONS & TERMINAL ASSIGNMENTS unit: mm [inch]



• When mounting, no extra space is needed between units.

SCHEMATIC CIRCUITRY & CONNECTION DIAGRAM



Specifications are subject to change without notice.