

Super-mini Signal Conditioners Mini-M Series

RATIO/BIAS TRANSMITTER

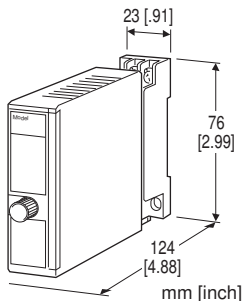
(input bias)

Functions & Features

- Provides precise matching of DC control signals to final control elements in open- or closed-loop systems
- Easy ratio/bias setting with the front digital display
- Ratio adjustable from 0.1 to 4.00 or from -0.1 to -4.00; Bias adjustable to $\pm 100\%$

Typical Applications

- Ratio control for air/fuel flows or for two flows
- Gain calculation for manipulated variable from a controller
- Large scale signal span adjustment



MODEL: M2RTS-[1]-[2][3]-[4][5]

ORDERING INFORMATION

- Code number: M2RTS-[1]-[2][3]-[4][5]
- Specify a code from below for each of [1] through [5].
(e.g. M2RTS-S-6A-M2/CE/Q)
- Special input and output ranges (For codes Z & 0)
 - Specify the specification for option code /Q
(e.g. /C01/S01)

[1] OUTPUT CHARACTERISTICS

S: Proportional; ratio 0.1 to 4.00
R: Inverted; ratio -0.1 to -4.00

[2] INPUT

Current

- A:** 4 - 20 mA DC (Input resistance 250 Ω)
 - A1:** 4 - 20 mA DC (Input resistance 50 Ω)
 - B:** 2 - 10 mA DC (Input resistance 500 Ω)
 - C:** 1 - 5 mA DC (Input resistance 1000 Ω)
 - D:** 0 - 20 mA DC (Input resistance 50 Ω)
 - E:** 0 - 16 mA DC (Input resistance 62.5 Ω)
 - F:** 0 - 10 mA DC (Input resistance 100 Ω)
 - G:** 0 - 1 mA DC (Input resistance 1000 Ω)
 - H:** 10 - 50 mA DC (Input resistance 100 Ω)
 - K:** 0 - 100 μ A DC (Input resistance 1000 Ω)
 - GW:** -1 - +1 mA DC (Input resistance 1000 Ω)
 - FW:** -10 - +10 mA DC (Input resistance 100 Ω)
 - Z:** Specify current (See INPUT SPECIFICATIONS)
- Voltage
- 2:** 0 - 100 mV DC (Input resistance 100 k Ω min.)
 - 3:** 0 - 1 V DC (Input resistance 1 M Ω min.)
 - 4:** 0 - 10 V DC (Input resistance 1 M Ω min.)
 - 5:** 0 - 5 V DC (Input resistance 1 M Ω min.)
 - 6:** 1 - 5 V DC (Input resistance 1 M Ω min.)
 - 4W:** -10 - +10 V DC (Input resistance 1 M Ω min.)
 - 5W:** -5 - +5 V DC (Input resistance 1 M Ω min.)
 - 0:** Specify voltage (See INPUT SPECIFICATIONS)

[3] OUTPUT

Current

- A:** 4 - 20 mA DC (Load resistance 750 Ω max.)
 - B:** 2 - 10 mA DC (Load resistance 1500 Ω max.)
 - C:** 1 - 5 mA DC (Load resistance 3000 Ω max.)
 - D:** 0 - 20 mA DC (Load resistance 750 Ω max.)
 - E:** 0 - 16 mA DC (Load resistance 900 Ω max.)
 - F:** 0 - 10 mA DC (Load resistance 1500 Ω max.)
 - G:** 0 - 1 mA DC (Load resistance 15 k Ω max.)
 - Z:** Specify current (See OUTPUT SPECIFICATIONS)
- Voltage
- 1:** 0 - 10 mV DC (Load resistance 10 k Ω min.)
 - 2:** 0 - 100 mV DC (Load resistance 100 k Ω min.)
 - 3:** 0 - 1 V DC (Load resistance 1000 Ω min.)
 - 4:** 0 - 10 V DC (Load resistance 10 k Ω min.)
 - 5:** 0 - 5 V DC (Load resistance 5000 Ω min.)
 - 6:** 1 - 5 V DC (Load resistance 5000 Ω min.)
 - 4W:** -10 - +10 V DC (Load resistance 10 k Ω min.)
 - 5W:** -5 - +5 V DC (Load resistance 5000 Ω min.)
 - 0:** Specify voltage (See OUTPUT SPECIFICATIONS)

[4] POWER INPUT

AC Power

M2: 100 – 240 V AC (Operational voltage range 85 – 264 V, 47 – 66 Hz)

(90 – 264 V for UL)

DC Power

R: 24 V DC

(Operational voltage range 24 V ±10 %, ripple 10 %p-p max.)

R2: 11 – 27 V DC

(Operational voltage range 11 – 27 V, ripple 10 %p-p max.)

(Select 'N' for 'Standards & Approvals' code.)

P: 110 V DC

(Operational voltage range 85 – 150 V, ripple 10 %p-p max.)

(110 V ±10 % for UL)

[5] OPTIONS (multiple selections)

Standards & Approvals (must be specified)

/N: Without CE or UL

/CE: CE marking

/UL: UL approval, CE marking

Other Options

blank: none

/Q: Option other than the above (specify the specification)

SPECIFICATIONS OF OPTION: Q (multiple selections)

COATING (For the detail, refer to our web site.)

/C01: Silicone coating

/C02: Polyurethane coating

/C03: Rubber coating (UL not available)

/C04: Polyolefin coating (UL not available)

TERMINAL SCREW MATERIAL

/S01: Stainless steel (UL not available)

GENERAL SPECIFICATIONS

Construction: Plug-in

Connection: M3 screw terminals (torque 0.8 N·m)

Screw terminal: Chromated steel (standard) or stainless steel

Housing material: Flame-resistant resin (black)

Isolation: Input to output to power

Overrange output: Approx. -10 to +120 % at 1 – 5 V

Ratio adjustment

Proportional: 0.10 to 4.00; 0.01 increments

Inverted: -0.10 to -4.00; 0.01 increments

Bias adjustment: -100 to +100 %; 1 % increments

Ratio/bias selector: Double-throw SW (front)

UP/DOWN control: Double-throw, momentary SW (front)

Equation: $X_o = K(X_i + B)$ (proportional)

$X_o = K(X_i + B) + 100\%$ (inverted)

where

X_o : Output (%)

K : Ratio

Linear characteristics

0.1 to 4.00 (proportional)

-0.1 to -4.00 (inverted)

X_i : Input (approx. -10 to +120 %)

B : Bias (-100 to +100 %)

INDICATORS

Ratio/bias digital display: Red LED; 6.4 mm (.25") 7 segment, 3 digits

Polarity indicator: Dual color (red/green) LED; Red with a positive set value; Green with a negative set value.

Power saving mode: Indicators turn off if the switches are untouched for 1 minute.

INPUT SPECIFICATIONS

DC Current:

Shunt resistor attached to the input terminals (0.5 W)

Specify input resistance value for code Z.

DC Voltage: -30 – +30 V DC

Minimum span: 100 mV

Offset: Max. 1.5 times span

•Input resistance

Span 0.1 – 1 V : $\geq 100\text{ k}\Omega$

Span $\geq 1\text{ V}$: $\geq 1\text{ M}\Omega$

OUTPUT SPECIFICATIONS

DC Current: 0 – 20 mA DC

Minimum span: 1 mA

Offset: Max. 1.5 times span

Load resistance: Output drive 15 V max.

DC Voltage: -10 – +12 V DC

Minimum span: 5 mV

Offset: Max. 1.5 times span

Load resistance: Output drive 1 mA max.; at $\geq 0.5\text{ V}$

INSTALLATION

Power Consumption

•AC:

Approx. 3 VA at 100 V

Approx. 4 VA at 200 V

Approx. 5 VA at 264 V

•DC: Approx. 3 W

Operating temperature: -5 to +55°C (23 to 131°F)

Operating humidity: 30 to 90 %RH (non-condensing)

Mounting: Surface or DIN rail

Weight: 150 g (0.33 lb)

PERFORMANCE in percentage of span

Accuracy: $\pm 0.2\%$

Ratio = 1, Bias = 0 % (proportional)

Ratio = -1, Bias = 0 % (inverted)

Temp. coefficient: $\pm 0.015\%/^{\circ}\text{C}$ ($\pm 0.008\%/^{\circ}\text{F}$)

Response time: ≤ 0.5 sec. (0 - 90 %)

Line voltage effect: $\pm 0.1\%$ over voltage range

Insulation resistance: $\geq 100\text{ M}\Omega$ with 500 V DC

Dielectric strength: 2000 V AC @1 minute (input to output to power to ground)

STANDARDS & APPROVALS

EU conformity:

EMC Directive

EMI EN 61000-6-4

EMS EN 61000-6-2

Low Voltage Directive

EN 61010-1

Installation Category II

Pollution Degree 2

Input or output to power: Reinforced insulation (300 V)

Input to output: Basic insulation (300 V)

RoHS Directive

Approval:

UL/C-UL nonincendive Class I, Division 2,

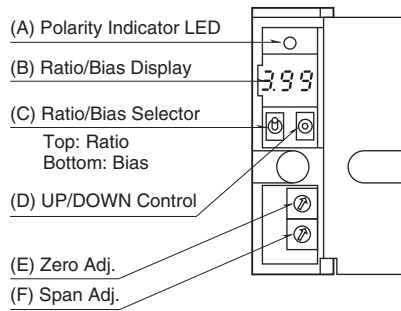
Groups A, B, C, and D

(ANSI/ISA-12.12.01, CAN/CSA-C22.2 No.213)

UL/C-UL general safety requirements

(UL 61010-1, CAN/CSA-C22.2 No.61010-1)

EXTERNAL VIEW



The front cover cannot be turned open by 180 deg. when there is no extra space between units.

• How to Set the Ratio

Turn the Ratio/Bias Selector (C) to the top.

The Ratio/Bias Display (B) shows the current ratio (0.10 - 4.00). Press UP/DOWN Control (D) until the display shows a desired set value.

The Polarity Indicator LED (A) is red when the set value is in positive range, green when in negative range.

• How to Set the Bias

Turn the Ratio/Bias Selector (C) to the bottom.

The Ratio/Bias Display (B) shows the current bias (0 - 100%). Press UP/DOWN Control (D) until the display shows a desired set value.

The Polarity Indicator LED (A) is red when the set value is in positive range, green when in negative range.

• Fine Calibration

Equation:

$$X_o = K(X_i + B) \text{ (proportional)}$$

$$X_o = K(X_i + B) + 100 \% \text{ (inverted)}$$

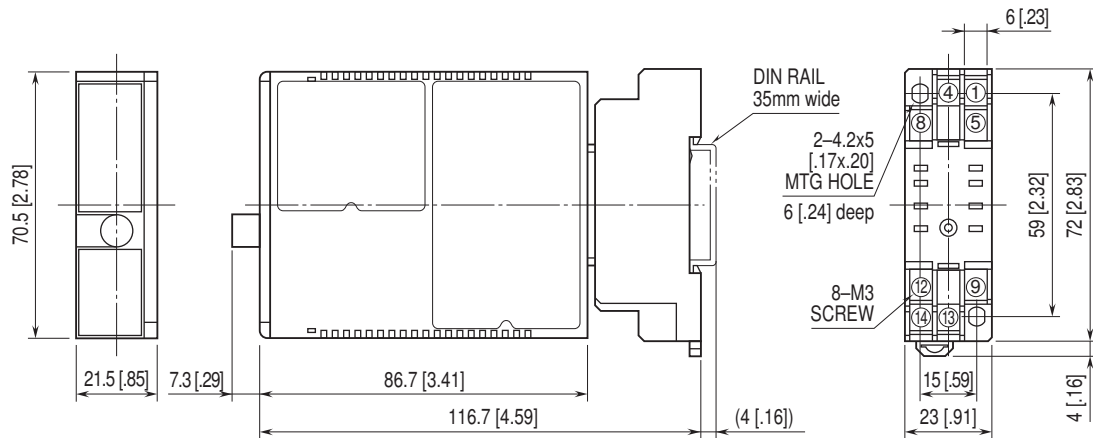
- 1) Calculate the input signal X_i which results in 0 % output. Apply the calculated input and adjust with Zero Adj. (E) the output X_o to 0 %.
- 2) Calculate the input signal X_i which results in 100 % output. Apply the calculated input and adjust with Span Adj. (F) the output X_o to 100 %.
- 3) Apply the calculated zero point input again and check the output X_o .
- 4) If the output has been shifted, go through (1) through (3) again.

The unit is factory set and calibrated to the following ratio and bias values.

Proportional characteristics: ratio (K) = 1, Bias (B) = 0 %

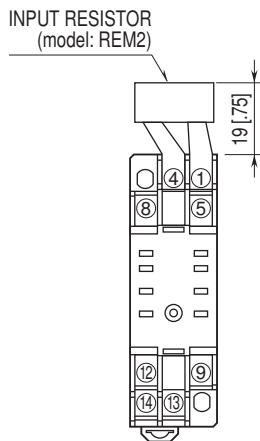
Inverted characteristics: ratio (K) = -1, Bias (B) = 0 %

EXTERNAL DIMENSIONS unit: mm [inch]



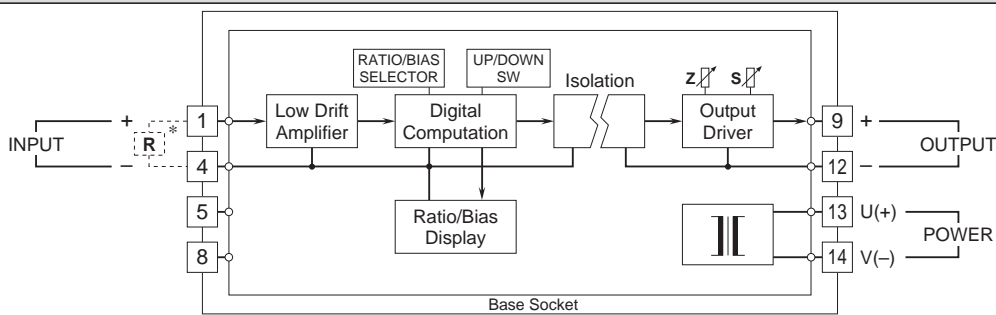
• When mounting, no extra space is needed between units.

TERMINAL ASSIGNMENTS unit: mm [inch]



Input shunt resistor attached for current input.

SCHEMATIC CIRCUITRY & CONNECTION DIAGRAM



*Input shunt resistor attached for current input.



Specifications are subject to change without notice.