

Super-mini Signal Conditioners Mini-M Series

R2: 11 – 27 V DC

(Operational voltage range 11 – 27 V, ripple 10 %p-p max.)

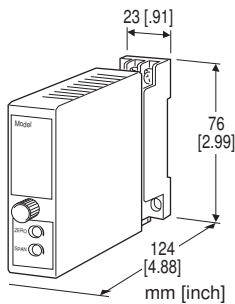
ISOLATOR

Functions & Features

- Galvanically isolating the input and output signals
- Universal power input
- High-density mounting

Typical Applications

- Isolation between control room and field instrumentation
- Eliminating ground loops



MODEL: M2YV-[1][2]-[3][4]

ORDERING INFORMATION

- Code number: M2YV-[1][2]-[3][4]

Specify a code from below for each of [1] through [4].

- (e.g. M2YV-6A-M/Q)
- Specify the specification for option code /Q (e.g. /C01/V01)

[1] INPUT

Current

A: 4 – 20 mA DC (Input resistance 250 Ω)

Voltage

6: 1 – 5 V DC (Input resistance 1 MΩ min.)

[2] OUTPUT

Current

A: 4 – 20 mA DC (Load resistance 750 Ω max.)

Voltage

6: 1 – 5 V DC (Load resistance 5000 Ω min.)

[3] POWER INPUT

AC Power

M: 85 – 264 V AC (Operational voltage range 85 – 264 V,

47 – 66 Hz)

DC Power

[4] OPTIONS

blank: none

/Q: With options (specify the specification)

SPECIFICATIONS OF OPTION: Q (multiple selections)

COATING (For the detail, refer to our web site.)

/C01: Silicone coating

/C02: Polyurethane coating

/C03: Rubber coating

/C04: Polyolefin coating

ADJUSTMENT

/V01: Multi-turn fine adjustment

TERMINAL SCREW MATERIAL

/S01: Stainless steel

GENERAL SPECIFICATIONS

Construction: Plug-in

Connection: M3 screw terminals (torque 0.8 N·m)

Screw terminal: Chromated steel (standard) or stainless steel

Housing material: Flame-resistant resin (black)

Isolation: Input to output to power

Overrange output: Approx. -10 to +120 % at 1 – 5 V

Zero adjustment: -5 to +5 % (front)

Span adjustment: 95 to 105 % (front)

INPUT SPECIFICATIONS

■ DC Current:

Shunt resistor attached to the input terminals (0.5 W)

INSTALLATION

Power Consumption

• AC:

Approx. 3 VA at 100 V

Approx. 4 VA at 200 V

Approx. 5 VA at 264 V

• DC: Approx. 3 W

Operating temperature: -5 to +55°C (23 to 131°F)

Operating humidity: 30 to 90 %RH (non-condensing)

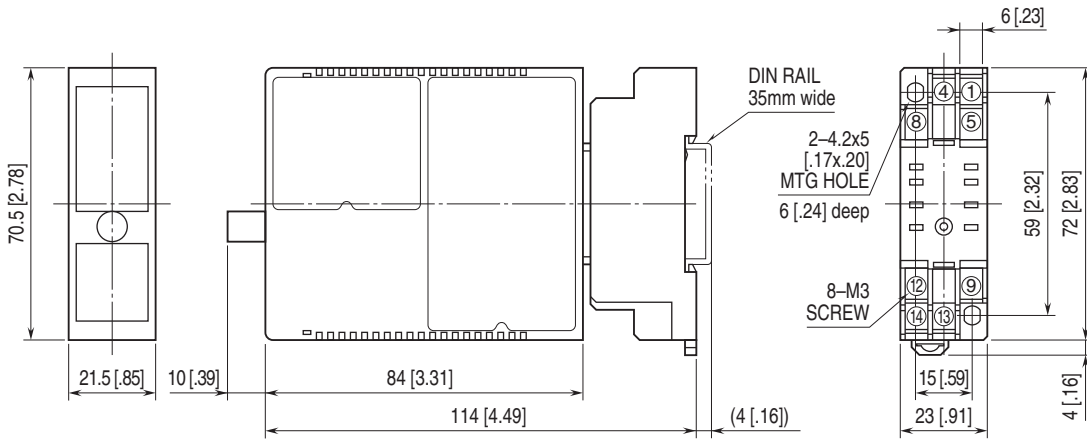
Mounting: Surface or DIN rail

Weight: 150 g (0.33 lb)

PERFORMANCE in percentage of span

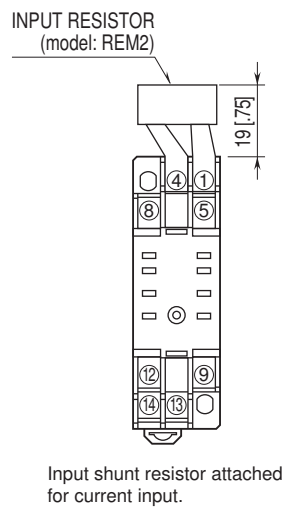
- Accuracy: $\pm 0.1\%$
- Temp. coefficient: $\pm 0.015\%/^{\circ}\text{C}$ ($\pm 0.008\%/^{\circ}\text{F}$)
- Response time: ≤ 0.5 sec. (0 - 90 %)
- Line voltage effect: $\pm 0.1\%$ over voltage range
- Insulation resistance: $\geq 100\text{ M}\Omega$ with 500 V DC
- Dielectric strength: 2000 V AC @1 minute (input to output to power to ground)

EXTERNAL DIMENSIONS unit: mm [inch]

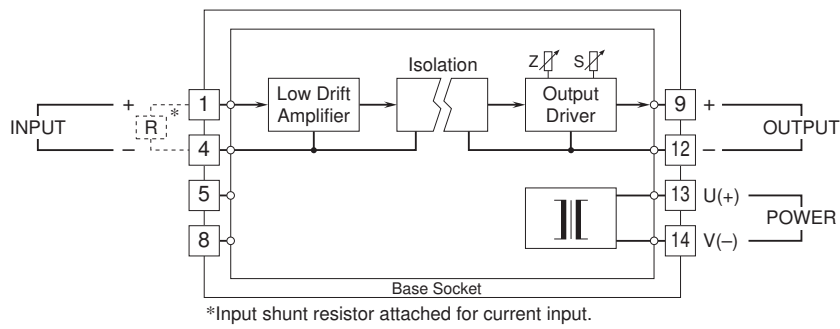


• When mounting, no extra space is needed between units.

TERMINAL ASSIGNMENTS unit: mm [inch]



SCHEMATIC CIRCUITRY & CONNECTION DIAGRAM



Specifications are subject to change without notice.