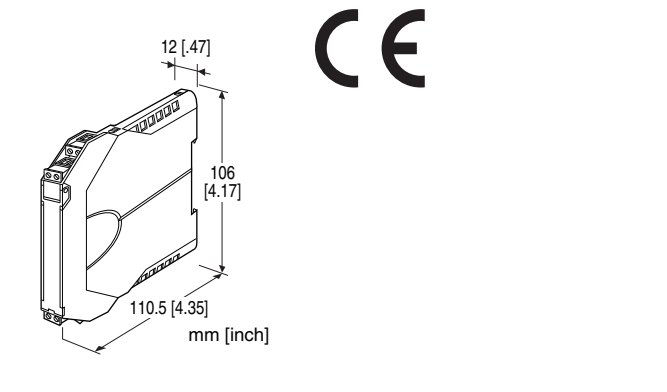


## Super-space-saving Signal Conditioners M3S-UNIT Series

### ISOLATOR

#### Functions & Features

- Galvanically isolates the process instrumentation signals
- High-density mounting



### MODEL: M3SYV-[1][2]-R[3]

#### ORDERING INFORMATION

- Code number: M3SYV-[1][2]-R[3]

Specify a code from below for each of [1] through [3].

- (e.g. M3SYV-6A-R/Q)
- Specify the specification for option code /Q (e.g. /C01)

#### [1] INPUT

Current

- A:** 4 - 20 mA DC (Input resistance 250 Ω)
- D:** 0 - 20 mA DC (Input resistance 250 Ω)
- DW:** -20 - +20 mA DC (Input resistance 250 Ω)

Voltage

- 4:** 0 - 10 V DC (Input resistance 1 MΩ min.)
- 5:** 0 - 5 V DC (Input resistance 1 MΩ min.)
- 6:** 1 - 5 V DC (Input resistance 1 MΩ min.)
- 4W:** -10 - +10 V DC (Input resistance 1 MΩ min.)
- 5W:** -5 - +5 V DC (Input resistance 1 MΩ min.)

#### [2] OUTPUT

Current

- A:** 4 - 20 mA DC (Load resistance 550 Ω max.)
- D:** 0 - 20 mA DC (Load resistance 550 Ω max.)

Voltage

- 4:** 0 - 10 V DC (Load resistance 10 kΩ min.)
- 6:** 1 - 5 V DC (Load resistance 5000 Ω min.)
- 4W:** -10 - +10 V DC (Load resistance 10 kΩ min.)

### POWER INPUT

DC Power

**R:** 24 V DC

(Operational voltage range 24 V ±10 %, ripple 10 %p-p max.)

### [3] OPTIONS

**blank:** none

**/Q:** With options (specify the specification)

#### SPECIFICATIONS OF OPTION: Q

**COATING** (For the detail, refer to our web site.)

**/C01:** Silicone coating

**/C02:** Polyurethane coating

**/C03:** Rubber coating

#### GENERAL SPECIFICATIONS

**Construction:** Small-sized front terminal structure

**Connection:** Euro type connector terminal

**Applicable wire size:** 0.2 to 2.5 mm<sup>2</sup>, stripped length 8 mm

**Housing material:** Flame-resistant resin (gray)

**Isolation:** Input to output to power

**Overrange output:** Approx. -10 to +120 % at 1 - 5 V

**Zero adjustment:** -2 to +2 % (front)

**Span adjustment:** 98 to 102 % (front)

#### INPUT SPECIFICATIONS

- **DC Current:** Input resistor incorporated

#### INSTALLATION

**Power consumption**

- **DC:** 1 W

**Operating temperature:** -10 to +55°C (14 to 131°F)

**Operating humidity:** 30 to 90 %RH (non-condensing)

**Mounting:** DIN rail

**Weight:** 100 g (0.22 lb)

#### PERFORMANCE in percentage of span

**Accuracy:** ±0.1 %

**Temp. coefficient:** ±0.015 %/°C (±0.008 %/°F)

**Response time:** ≤ 0.5 sec. (0 - 90 %)

**Line voltage effect:** ±0.1 % over voltage range

**Insulation resistance:** ≥ 100 MΩ with 500 V DC

**Dielectric strength:** 2000 V AC @1 minute (input to output to power to ground)

## STANDARDS & APPROVALS

EU conformity:

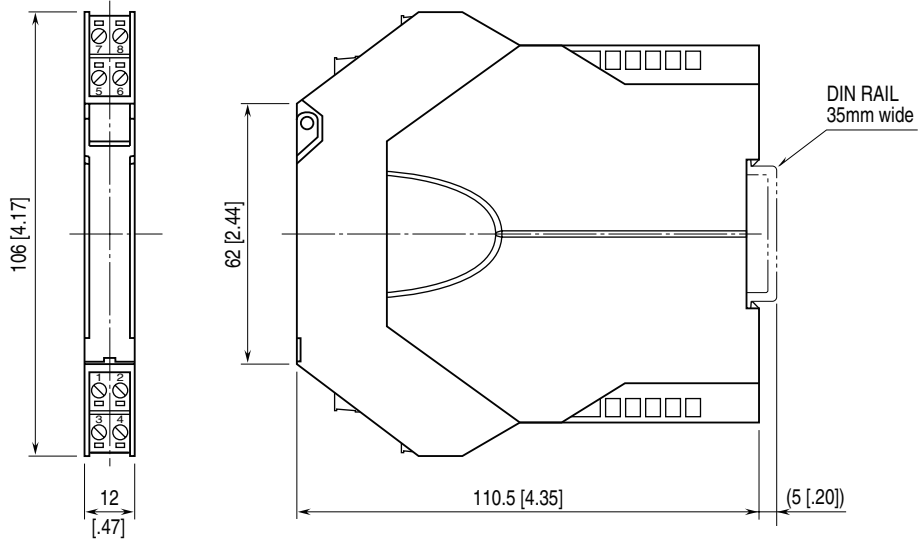
EMC Directive

EMI EN 61000-6-4

EMS EN 61000-6-2

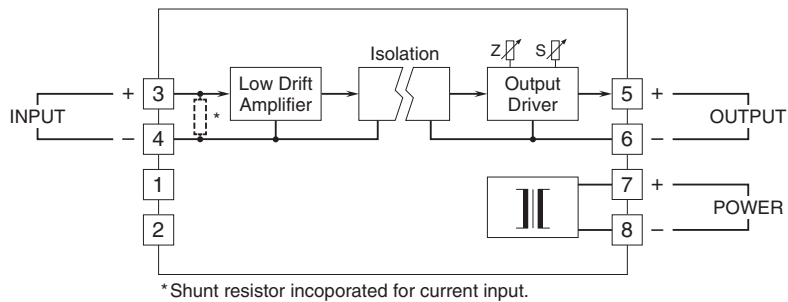
RoHS Directive

## EXTERNAL DIMENSIONS & TERMINAL ASSIGNMENTS unit: mm [inch]



• When mounting, no extra space is needed between units.

## SCHEMATIC CIRCUITRY & CONNECTION DIAGRAM



Specifications are subject to change without notice.