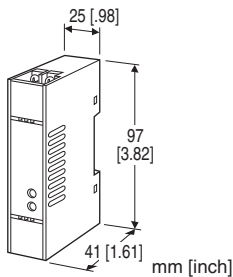


Super-mini Terminal Block Signal Conditioners M5-UNIT

INPUT LOOP POWERED ISOLATOR

Functions & Features

- Input-loop-powered design eliminates need for an output loop power supply
- 350 Ω output drive
- High-density mounting



MODEL: M5SN-AA[1]

ORDERING INFORMATION

- Code number: M5SN-AA[1]
Specify a code from below for [1].
(e.g. M5SN-AA/Q)
- Specify the specification for option code /Q
(e.g. /C01/S01)

INPUT

Current
A: 4 - 20 mA DC

OUTPUT

Current
A: 4 - 20 mA DC

[1] OPTIONS

blank: none
/Q: With options (specify the specification)

SPECIFICATIONS OF OPTION: Q (multiple selections)

COATING (For the detail, refer to our web site.)
/C01: Silicone coating
/C02: Polyurethane coating
/C03: Rubber coating
TERMINAL SCREW MATERIAL
/S01: Stainless steel

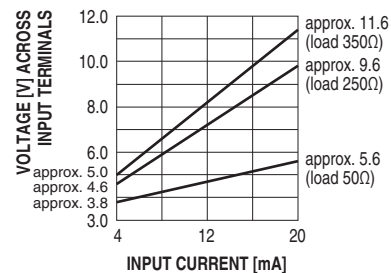
GENERAL SPECIFICATIONS

Construction: Terminal block
Connection: M3.5 screw terminals (torque 0.8 N·m)
Screw terminal: Nickel-plated steel (standard) or stainless steel
Housing material: Flame-resistant resin (black)
Isolation: Input to output
Zero adjustment: -0.5 to +0.5 % (front)
Span adjustment: 98.5 to 101.5 % (front)

INPUT & OUTPUT

- Input 4 - 20 mA DC / Output 4 - 20 mA DC

Equivalent input impedance: 230 Ω plus load resistance with 20 mA input
Operational range: 3 - 22 mA DC
(Accuracy is assured within 4 - 22 mA)
Load resistance: 350 Ω maximum; min. 50 Ω required for adequate operation



INSTALLATION

Operating temperature: -5 to +55°C (23 to 131°F)
Operating humidity: 0 to 90 %RH (non-condensing)
Mounting: DIN rail
Weight: 80 g (2.8 oz)

PERFORMANCE in percentage of span

Accuracy: ±0.1 %
Temp. coefficient: ±0.02 %/°C (±0.01 %/°F)
Response time: Approx. 15 msec. (0 - 90 %, 50 Ω load)
Load effect: (factory-calibrated with 250 Ω load)
0.015 %/Ω (50 - 150 Ω)
0.003 %/Ω (150 - 350 Ω)
Insulation resistance: ≥ 100 MΩ with 500 V DC
Dielectric strength:
500 V AC @1 minute (input to output)
2000 V AC @1 minute (input or output to ground)

STANDARDS & APPROVALS

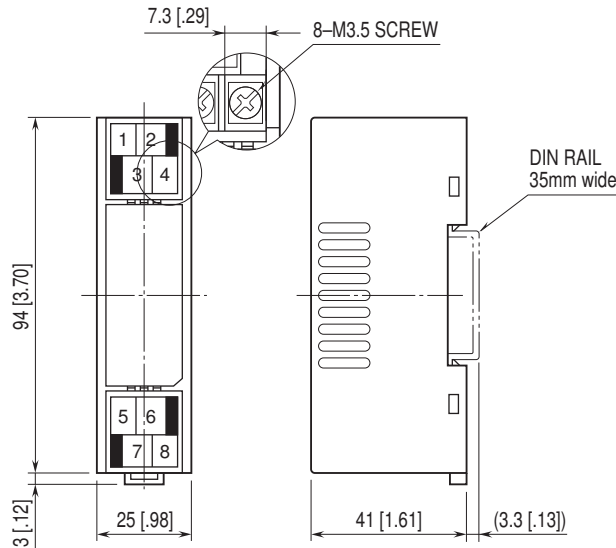
EU conformity:
EMC Directive
EMI EN 61000-6-4
EMS EN 61000-6-2

RoHS Directive

UK conformity (UKCA):

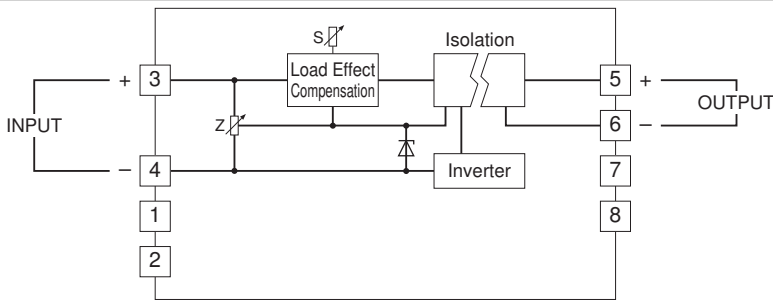
The UK legislations and designated standards are equivalent to the applicable EU directives.
 (Refer to our website for more information about the legislations and designated standards.)

EXTERNAL DIMENSIONS & TERMINAL ASSIGNMENTS unit: mm [inch]



• When mounting, no extra space is needed between units.

SCHEMATIC CIRCUITRY & CONNECTION DIAGRAM



Specifications are subject to change without notice.