

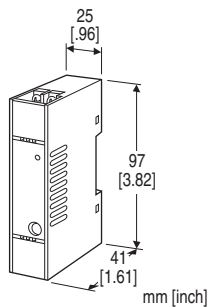
Super-mini Terminal Block Signal Conditioners M5X-UNIT

MULTI POWER TRANSDUCER

(self-powered, PC programmable)

Functions & Features

- Super-mini power transmitter
- 5 to 600 A clamp CT use for current sensor
- Single-phase/2-wire, single-phase/3-wire and 3-phase/3-wire are available
- High-density mounting
- Power LED
- No auxiliary power source required



MODEL: M5XWT-113[1]

ORDERING INFORMATION

- Code number: M5XWT-113[1]
- Specify a code from below for [1] .
(e.g. M5XWT-113/Q)
- Specify the specification for option code /Q
(e.g. /C01/S01/SET)

CONFIGURATION

1: Single phase / 2-wire and 3-wire, 3-phase / 3-wire

INPUT

1: 240 V AC / CLSE

Clamp-on current sensor is selectable from below.

CLSE (5A, 50A, 100A, 200A, 400A, 600A)

5A is available as CT's secondary.

EXTERNAL INTERFACE

3: Modbus communication

[1] OPTIONS

Other Options

blank: none

/Q: Option other than the above (specify the specification)

SPECIFICATIONS OF OPTION: Q

COATING (For the detail, refer to our web site.)

/C01: Silicone coating

/C02: Polyurethane coating

/C03: Rubber coating

TERMINAL SCREW MATERIAL

/S01: Stainless steel

EX-FACTORY SETTING

/SET: Preset according to the Ordering Information Sheet
(No. ESU-2782)

RELATED PRODUCTS

- PC Configurator cable (model: COP-US)
- PC configurator software (model: PMCFG)
Downloadable at our web site.
- Clamp-on current sensor (model: CLSE)

GENERAL SPECIFICATIONS

Construction: Terminal block

Connection: M3.5 screw terminals (torque 0.8 N·m)

Screw terminal: Nickel-plated steel (standard) or stainless steel

Housing material: Flame-resistant resin (black)

Isolation: Current input or voltage input to Modbus

Measured variables

Voltage: R-S, S-T, T-R

Current: R, S, T

Active power

Reactive power

Apparent power

Power factor

Frequency

Active energy: Incoming / outgoing

Reactive energy: Incoming / outgoing / lag (inductive)
/lead (capacitive)

Apparent energy

Average active power (demand)

Average reactive power (demand)

Average apparent power (demand)

Average (demand) current: R, S, T

Max. and min. values

Simplified measurement mode: Calculates power from current values with fixed voltage values and power factor.

Power indicator LED: Green LED; Blinking patterns indicate different operating status of the transmitter.

MODBUS COMMUNICATION

Communication: Half-duplex, asynchronous, no procedure

Standard: Conforms to TIA/EIA-485-A

Transmission distance: 500 meters max.

Baud rate: 1200, 2400, 4800, 9600, 19200, 38400 bps

(default: 38400 bps)

Protocol: Modbus RTU

Node address: 1 to 247 (default: 1)

Parity: None, even or odd (default: odd)

Stop bit: 1 or 2 (default: 1)

Max. number of nodes: 31 (excluding master)

Transmission media: Shielded twisted-pair cable
(CPEV-S 0.9 dia.)

Internal terminating resistor: 110 Ω

current in a single-phase/3-wire circuit and phase-S current
in a 3-phase/3-wire circuit.

Temp. coefficient: ± 0.0075 %/°C (0.004 %/°F)

Sampling time: ≤ 500 msec.

Insulation resistance: ≥ 100 M Ω with 500 V DC

Dielectric strength: 2000 V AC @ 1 minute
(current input or voltage input to Modbus to ground)

INPUT SPECIFICATIONS

Frequency: 50 / 60 Hz (45 - 66 Hz)

• Voltage Input

Rated voltage: 240 V AC

Input range: 80 - 260 V AC

(Phase voltage range is 80 - 130 V for single-phase/3-wire)

Consumption VA:

• P1 - P2: ≤ 3 VA (power consumption of internal circuit)

• P2 - P3: $\text{voltage}^2 / \leq 1.5\text{M}\Omega$ VA

Selectable primary voltage range: 50 - 400 000 V

• Current Input

CLSE-R5: 0 - 5 A AC

CLSE-05: 0 - 50 A AC

CLSE-10: 0 - 100 A AC

CLSE-20: 0 - 200 A AC

CLSE-40: 0 - 400 A AC

CLSE-60: 0 - 600 A AC

Input range: 0 - 120% of the rating

Low-end cutout (current): 0 - 99.9% (default setting: 1%)

Selectable primary current range: 1 - 20 000 A (only with
CLSE-R5, refer to the configurator settings)

INSTALLATION

Operating temperature: -20 to +65°C (-4 to +149°F)

Operating humidity: 30 to 90 %RH (non-condensing)

Atmosphere: No corrosive gas or heavy dust

Mounting: DIN rail

Weight: 80 g (2.8 oz)

PERFORMANCE

Input Accuracy^{*1}

Voltage: ± 0.5 %^{*2}

Current: ± 0.5 %^{*2}

Power: ± 0.5 %^{*2}

Power factor: ± 1.5 %

Frequency: ± 0.5 Hz

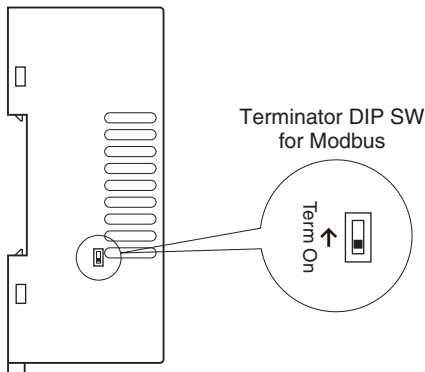
Energy: ± 2 % (power factor ≥ 0.5 , input ≥ 10 %)

*1. Sensor error margin not included. Add sensor error margin when using with the combination of the sensor.

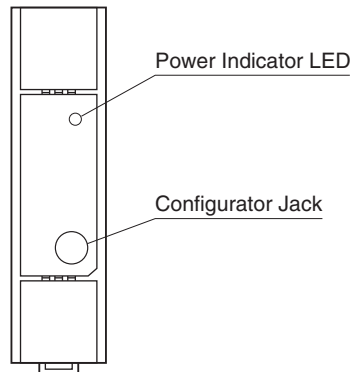
*2. An accuracy for rated input. The described accuracy levels are ensured at the input 1% or more for neutral

EXTERNAL VIEW

■ SIDE VIEW



■ FRONT VIEW



TERMINAL CONNECTIONS

System/ Application	Terminal	System/ Application	Terminal
Single-phase/ 2-wire		Single-phase/ 3-wire	
		3-phase/ 3-wire	

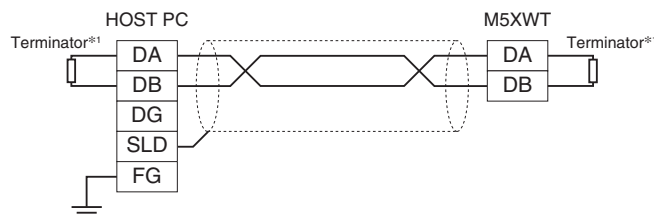
Note: Use CLSE for CT.

Grounding is unnecessary for low-voltage circuit.

Apply voltage to P1 - P2 to generate internal power when using simplified measuring mode (fixed voltage value and power factor).

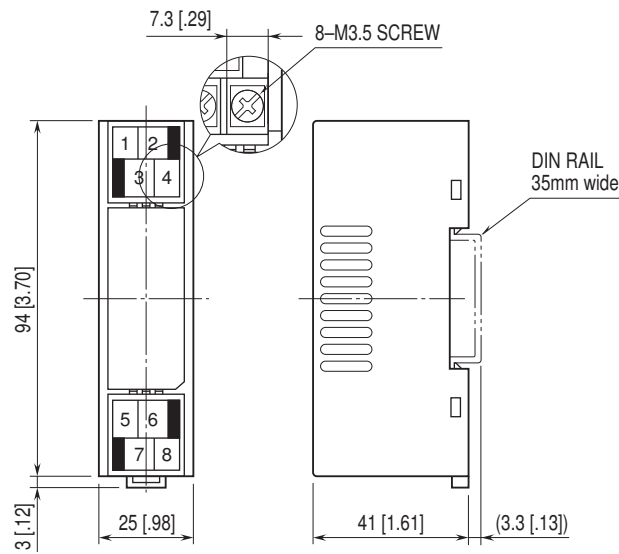
MODBUS WIRING CONNECTION

■ HOST PC WIRING



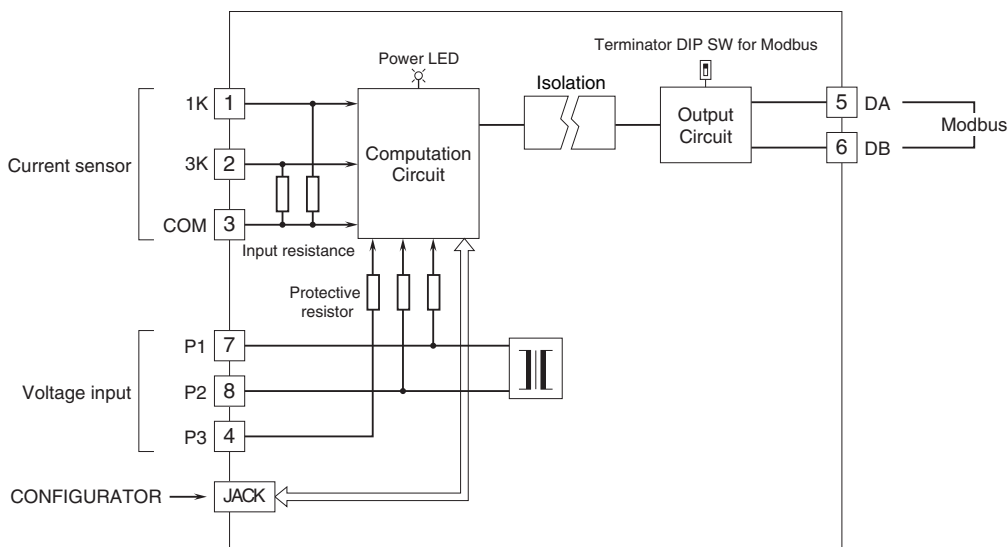
*1. Turn the terminator DIP SW ON to use internal terminator.

EXTERNAL DIMENSIONS & TERMINAL ASSIGNMENTS unit: mm [inch]



• When mounting, no extra space is needed between units.

SCHEMATIC CIRCUITRY & CONNECTION DIAGRAM



Specifications are subject to change without notice.