

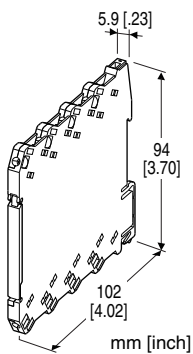
Euro Terminal Ultra-Slim Signal Conditioners M6D Series

SIGNAL TRANSMITTER

(two isolated outputs)

Functions & Features

- 5.9-mm wide ultra-slim design
- Low profile allows the M6D module mounted in a 120-mm deep panel
- Galvanically isolates process instrumentation signals
- High-density mounting
- Power indicator LED



MODEL: M6DWVS-[1][2][3]-R[4]

ORDERING INFORMATION

- Code number: M6DWVS-[1][2][3]-R[4]
- Specify a code from below for each of [1] through [4].
(e.g. M6DWVS-AAA-R/K/Q)
- Special input range (For codes Z & 0)
- Specify the specification for option code /Q
(e.g. /C01)

[1] INPUT

Current

- A:** 4 - 20 mA DC (Input resistance 50 Ω)
- B:** 2 - 10 mA DC (Input resistance 100 Ω)
- C:** 1 - 5 mA DC (Input resistance 200 Ω)
- D:** 0 - 20 mA DC (Input resistance 50 Ω)
- E:** 0 - 16 mA DC (Input resistance 50 Ω)
- F:** 0 - 10 mA DC (Input resistance 100 Ω)
- G:** 0 - 1 mA DC (Input resistance 1000 Ω)
- H:** 10 - 50 mA DC (Input resistance 20 Ω)
- Z:** Specify current (See INPUT SPECIFICATIONS)

Voltage

- 3:** 0 - 1 V DC (Input resistance 1 M Ω min.)
- 4:** 0 - 10 V DC (Input resistance 1 M Ω min.)
- 5:** 0 - 5 V DC (Input resistance 1 M Ω min.)
- 6:** 1 - 5 V DC (Input resistance 1 M Ω min.)
- 4W:** -10 - +10 V DC (Input resistance 1 M Ω min.)

- 5W:** -5 - +5 V DC (Input resistance 1 M Ω min.)
- 0:** Specify voltage (See INPUT SPECIFICATIONS)

[2] OUTPUT 1

Current

- A:** 4 - 20 mA DC (Load resistance 280 Ω max.)
- D:** 0 - 20 mA DC (Load resistance 280 Ω max.)

Voltage

- 5:** 0 - 5 V DC (Load resistance 5000 Ω min.)
- 6:** 1 - 5 V DC (Load resistance 5000 Ω min.)

[3] OUTPUT 2

Same range availability as Output 1

Y: None

POWER INPUT

DC Power

R: 24 V DC

(Operational voltage range 24 V \pm 10 %, ripple 10 %p-p max.)

[4] OPTIONS (multiple selections)

Response Time (0 - 90 %)

blank: Standard (\leq 0.5 sec.)

/K: Fast Response (Approx. 3.5 msec.)

Other Options

blank: none

/Q: Option other than the above (specify the specification)

SPECIFICATIONS OF OPTION: Q

COATING (For the detail, refer to our web site.)

/C01: Silicone coating

/C02: Polyurethane coating

GENERAL SPECIFICATIONS

Connection

Input and output: Euro terminal (torque 0.3 N·m)

Power input: Via the Installation Base (model: M6DBS)
or Euro terminal (torque 0.3 N·m)

Applicable wire size: 0.2 to 2.5 mm², stripped length 8 mm

Housing material: Flame-resistant resin (black)

Isolation: Input to output 1 to output 2 to power

Zero adjustment: -2 to +2 % (front)

Span adjustment: 98 to 102 % (front)

Power indicator LED: Green LED turns on when the power is supplied.

INPUT SPECIFICATIONS

■ **DC Current:** Input resistor incorporated

Specify input resistance value among followings for code Z.

20Ω, 50Ω, 100Ω, 200Ω, 249Ω, 1000Ω

$(0.125 \text{ W} \geq [\text{Input current}]^2 \times R)$

■ **DC Voltage:** -30 - +30 V DC

Minimum span: 100 mV

Offset: Max. 1.5 times span

Input resistance: 1 MΩ min. (10 kΩ min. with no power supplied)

INSTALLATION

Power consumption: Approx. 0.6 W

Operating temperature: -20 to +55°C (-4 to +131°F)

Operating humidity: 30 to 90 %RH (non-condensing)

Mounting: Installation Base (model: M6DBS) or DIN rail

Weight: 60 g (2.1 oz)

PERFORMANCE in percentage of span

Accuracy: ±0.1 %

Temp. coefficient: ±0.01 %/°C (±0.006 %/°F)

Line voltage effect: ±0.1 % over voltage range

Insulation resistance: ≥ 100 MΩ with 500 V DC

Dielectric strength: 2000 V AC @1 minute (input to output 1 to output 2 to power to ground)

STANDARDS & APPROVALS

EU conformity:

EMC Directive

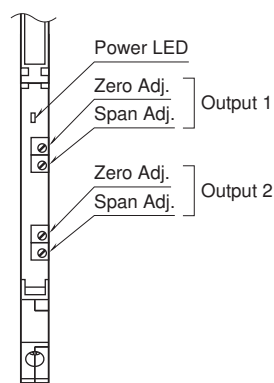
EMI EN 61000-6-4

EMS EN 61000-6-2

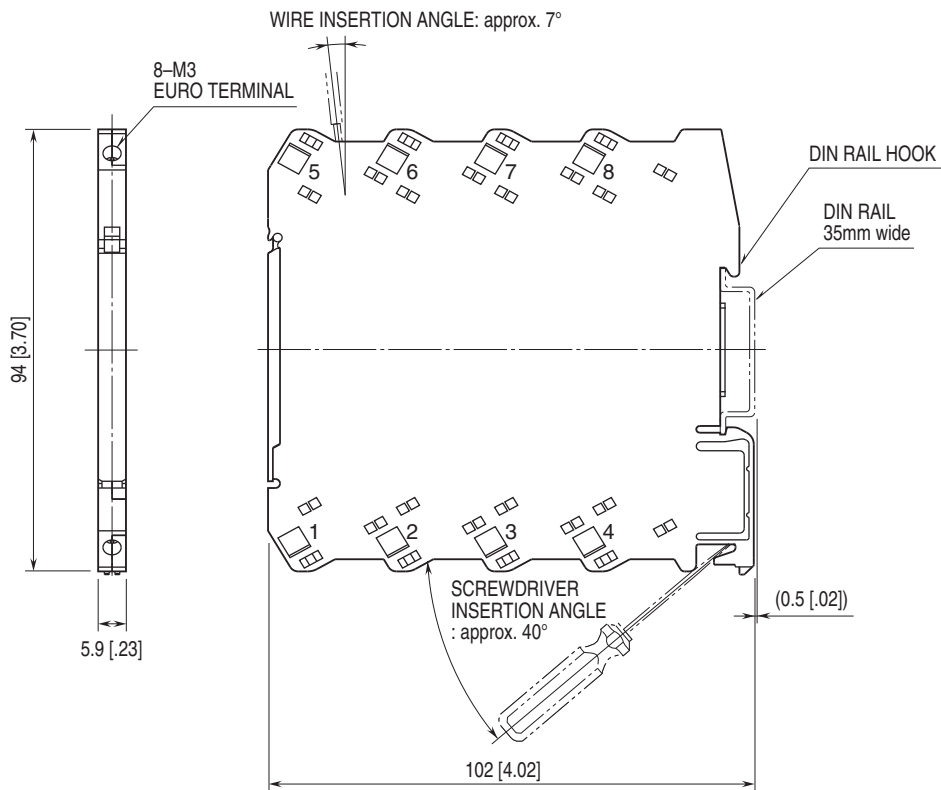
RoHS Directive

EXTERNAL VIEW

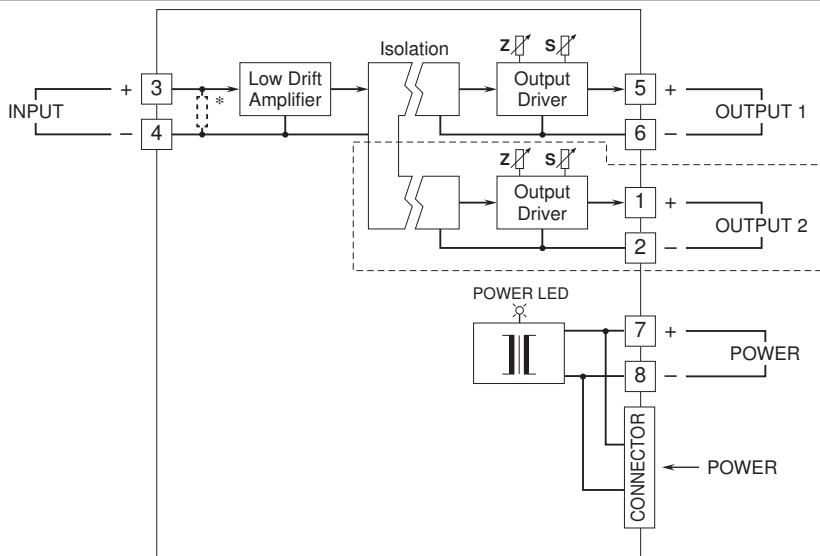
(With the cover open)



EXTERNAL DIMENSIONS & TERMINAL ASSIGNMENTS unit: mm [inch]



SCHEMATIC CIRCUITRY & CONNECTION DIAGRAM



* Input shunt resistor incorporated for current input.
 Remark: The section enclosed by broken line is only with 2nd output option.



Specifications are subject to change without notice.