

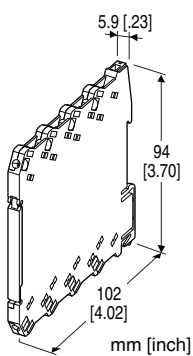
Euro Terminal Ultra-Slim Signal Conditioners M6D Series

THERMOCOUPLE ALARM

(PC programmable)

Functions & Features

- 5.9-mm wide ultra-slim design
- Low profile allows the M6D module mounted in a 120-mm deep panel
- PC programmable
- Linearization and upscale and downscale burnout protection
- High-density mounting
- Power and status indicator LEDs



MODEL: M6DXAT-[1]-R[2]

ORDERING INFORMATION

- Code number: M6DXAT-[1]-R[2]
- Specify a code from below for each of [1] and [2].
(e.g. M6DXAT-2-R/Q)
- Temperature range (e.g. 0 - 1000°C)
- Specify the specification for option code /Q
(e.g. /C01)

[1] INPUT THERMOCOUPLE

- 1: (PR)
- 2: K (CA)
- 3: E (CRC)
- 4: J (IC)
- 5: T (CC)
- 6: B (RH)
- 7: R
- 8: S
- N: N
- 0: Specify (Please provide a emf table.)
(Configurator software is used to change the input type and precise range.)

OUTPUT

Relay; SPDT or transfer contact

POWER INPUT

DC Power

R: 24 V DC

(Operational voltage range 24 V \pm 10 %, ripple 10 %p-p max.)

[2] OPTIONS

blank: none

/Q: With options (specify the specification)

SPECIFICATIONS OF OPTION: Q

COATING (For the detail, refer to our web site.)

/C01: Silicone coating

/C02: Polyurethane coating

RELATED PRODUCTS

- PC configurator software (model: M6CFG)

Downloadable at our web site.

A dedicated cable is required to connect the module to the PC. Please refer to the internet software download site or the users manual for the PC configurator for applicable cable types.

GENERAL SPECIFICATIONS

Connection

Input and output: Euro terminal (torque 0.3 N·m)

Power input: Via the Installation Base (model: M6DBS)

or Euro terminal (torque 0.3 N·m)

Applicable wire size: 0.2 to 2.5 mm², stripped length 8 mm

Housing material: Flame-resistant resin (black)

Isolation: Input to output to power

Burnout: Upscale standard; downscale or no burnout optional by programming

In case of upscale standard, the alarm operates as if the input signal has exceeded over the range.

Linearization: Standard

Cold Junction Compensation: CJC sensor incorporated

Power indicator LED: Green LED turns on when the power is supplied.

Status indicator LED: Orange LED; Blinking patterns indicate different operating status of the transmitter.

Alarm monitor LED: Red LED turns on when the alarm is tripped.

Programming: Downloaded from PC

Input type and range

Input fine adjustments

User's Thermocouple table

Burnout (Upscale, downscale or no burnout)

Alarm setpoint (input %)
 Trip action (High or Low)
 Relay coil (energized or de-energized)
 Power ON delay time (0 to 999 sec.)
 Alarm ON delay time (0 to 999 sec.)
 Hysteresis (deadband) (input %)
 Alarm test, and others
Configurator connection: 2.5 dia. miniature jack;
 RS-232-C level

Factory default setting

Alarm setpoint: 80 %
Trip action: High
Relay coil at alarm: Energized
Power ON delay time: 5 sec.
Alarm ON delay time: 0 sec.
Hysteresis (deadband) : 1.0 %
Burnout: Upscale

INPUT SPECIFICATIONS

Input resistance: 1 MΩ min.
Burnout sensing: ≤ 0.1 μA
Temperature range: See Table 1.
 If not specified, the input range is shown below.
1 PR: 0 - 1600°C
2 K: 0 - 1000°C
3 E: 0 - 500°C
4 J: 0 - 500°C
5 T: 0 - 300°C
6 B: 500 - 1600°C
7 R: 500 - 1600°C
8 S: 0 - 1600°C
N N: 0 - 1000°C

OUTPUT SPECIFICATIONS

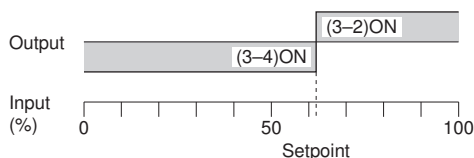
■ Relay Output

Relay rating:
 250 V AC @2 A (cos φ = 1)
 30 V DC @2 A (resistive load)
Maximum switching voltage: 250 V AC or 125 V DC
Maximum switching power: 500 VA or 60 W
Minimum load: 5 V DC @100 mA
Mechanical life: 5 × 10⁶ cycles (rate 180/min.)

Alarm Trip Operation Terminal No. in parentheses

• Setting Example

Hi alarm (coil energized at alarm) or
 Lo alarm (coil de-energized at alarm)



Trip operation in power failure: Terminals 3 - 4 turn ON.

INSTALLATION

Power consumption: Approx. 0.5 W
Operating temperature: -20 to +55°C (-4 to +131°F)
Operating humidity: 30 to 90 %RH (non-condensing)
Mounting: Installation Base (model: M6DBS) or DIN rail
Weight: 65 g (2.3 oz)

PERFORMANCE in percentage of span

Setpoint accuracy (trip point accuracy):
 Accuracy in Table 1 + Cold junction compensation error
Cold junction compensation error:
 ±3°C at 25 ±10°C
 ±5.4°F at 77 ±18°F
Temp. coefficient: ±0.01 %/°C (±0.006 %/°F) of max. span
Response time: ≤ 0.5 sec. (0 - 100 % at 90 % setpoint)
Burnout response time: ≤ 1 sec.
Line voltage effect: ±0.1 % over voltage range
Insulation resistance: ≥ 100 MΩ with 500 V DC
Dielectric strength: 2000 V AC @1 minute (input to output to power to ground)

CALCULATION EXAMPLES OF SETPOINT ACCURACY

[Example] K thermocouple, 0 - 1000°C
 Absolute value accuracy (Table 1): 0.25°C
 CJC error (3°C) added: 3.25°C
 Setpoint accuracy = 3.25°C ÷ 1000°C × 100 = 0.33 %
 Table 1.

| THERMOCOUPLE | °C | | | |
|--------------|-----------|---------------|-------------------|----------|
| | MIN. SPAN | MAXIMUM RANGE | CONFORMANCE RANGE | ACCURACY |
| (PR) | 20 | 0 to 1760 | 0 to 1760 | ±1.00 |
| K (CA) | 20 | -270 to +1370 | -150 to +1370 | ±0.25 |
| E (CRC) | 20 | -270 to +1000 | -170 to +1000 | ±0.20 |
| J (IC) | 20 | -210 to +1200 | -180 to +1200 | ±0.25 |
| T (CC) | 20 | -270 to +400 | -170 to +400 | ±0.25 |
| B (RH) | 20 | 100 to 1820 | 400 to 1760 | ±0.75 |
| R | 20 | -50 to +1760 | 200 to 1760 | ±0.50 |
| S | 20 | -50 to +1760 | 0 to 1760 | ±0.50 |
| N | 20 | -270 to +1300 | -130 to +1300 | ±0.30 |
| THERMOCOUPLE | °F | | | |
| | MIN. SPAN | MAXIMUM RANGE | CONFORMANCE RANGE | ACCURACY |
| (PR) | 36 | 32 to 3200 | 32 to 3200 | ±1.80 |
| K (CA) | 36 | -454 to +2498 | -238 to +2498 | ±0.45 |
| E (CRC) | 36 | -454 to +1832 | -274 to +1832 | ±0.36 |
| J (IC) | 36 | -346 to +2192 | -292 to +2192 | ±0.45 |
| T (CC) | 36 | -454 to +752 | -274 to +752 | ±0.45 |
| B (RH) | 36 | 212 to 3308 | 752 to 3200 | ±1.35 |
| R | 36 | -58 to +3200 | 392 to 3200 | ±0.90 |
| S | 36 | -58 to +3200 | 32 to 3200 | ±0.90 |
| N | 36 | -454 to +2372 | -202 to +2372 | ±0.54 |

STANDARDS & APPROVALS

EU conformity:

EMC Directive

EMI EN 61000-6-4

EMS EN 61000-6-2

Low Voltage Directive

EN 61010-1

Measurement Category II (output)

Pollution Degree 2

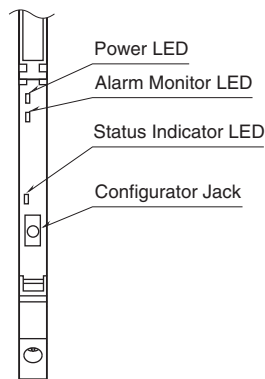
Input or power to output: Reinforced insulation (300 V)

Input to power: Basic insulation (300 V)

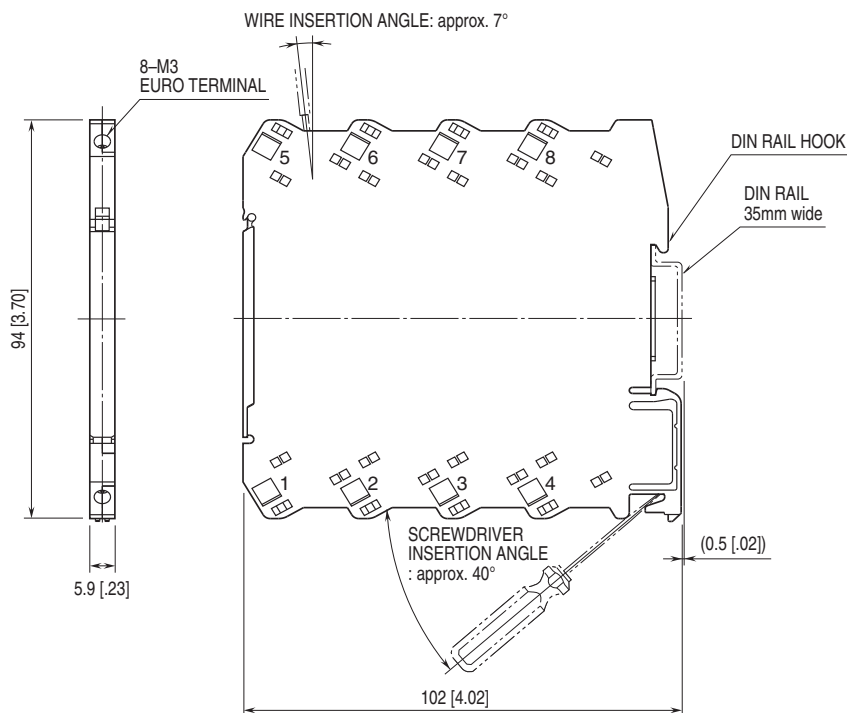
RoHS Directive

EXTERNAL VIEW

(With the cover open)

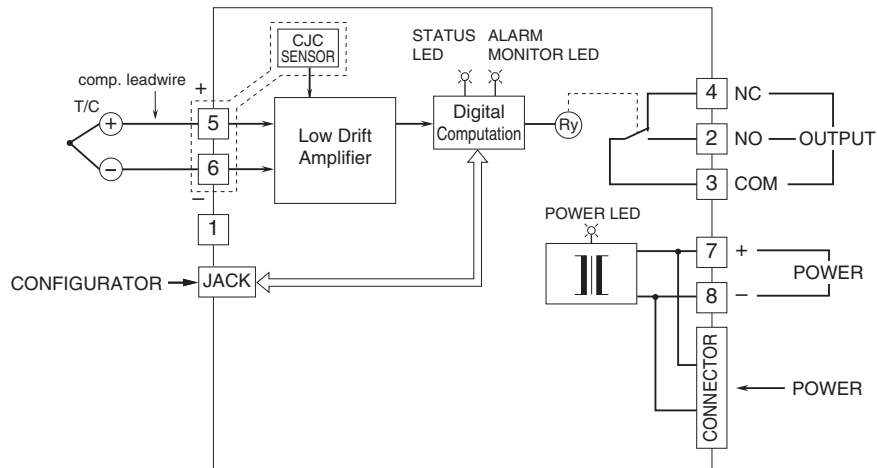


EXTERNAL DIMENSIONS & TERMINAL ASSIGNMENTS unit: mm [inch]



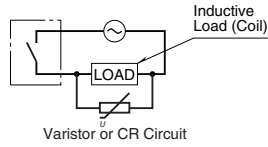
• When mounting, no extra space is needed between units.

SCHEMATIC CIRCUITRY & CONNECTION DIAGRAM

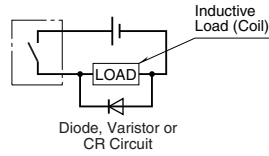


■ Relay Protection

• AC Powered



• DC Powered



Specifications are subject to change without notice.