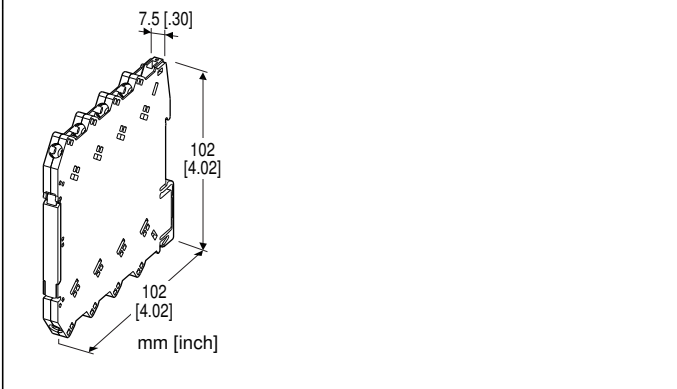


Screw Terminal Ultra-Slim Signal Conditioners M6N Series

BLANK FILLER MODULE

Functions & Features

- Used to fill blank slots on an installation base



MODEL: M6NDM

ORDERING INFORMATION

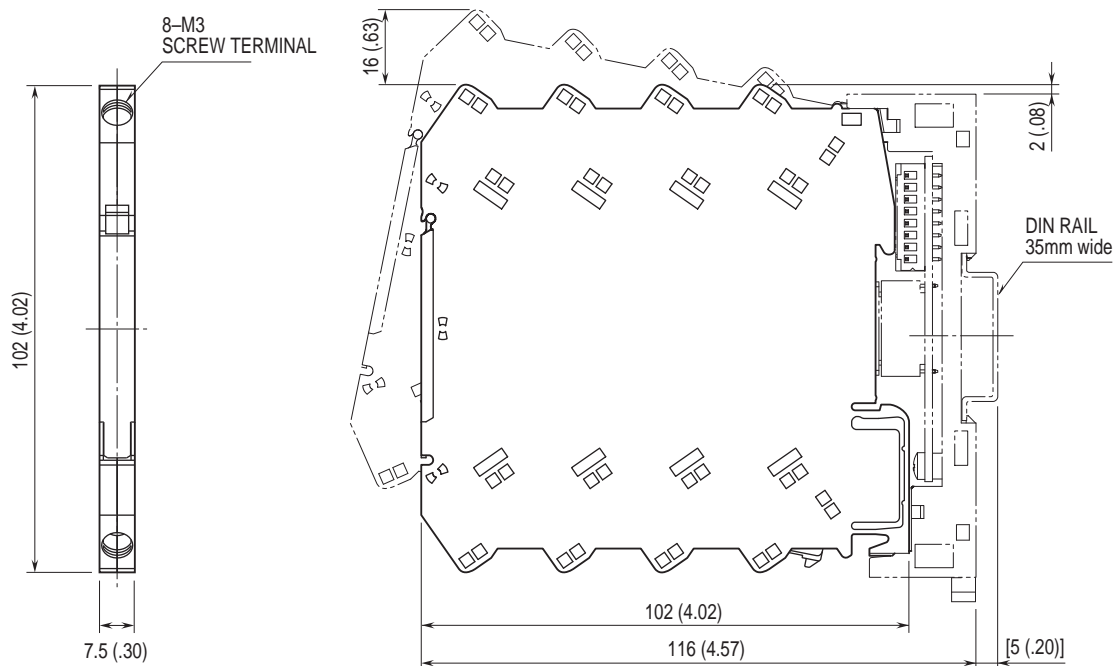
- Code number: M6NDM

INSTALLATION

Mounting: Installation Base (model: M6NBS)

Weight: 60 g (2.1 oz)

EXTERNAL DIMENSIONS unit: mm [inch]



The terminals are Not to be used as relaying boards.



Specifications are subject to change without notice.