

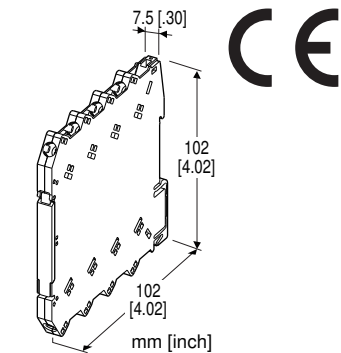
## Screw Terminal Ultra-Slim Signal Conditioners M6N Series

### 2-INPUT MATH FUNCTION MODULE

(PC programmable)

#### Functions & Features

- 7.5-mm wide ultra-slim design
- Low profile allows the M6N module mounted in a 120-mm deep panel
- 2-input math functions and signal selector functions
- PC programmable
- High-density mounting
- Power indicator LED



### MODEL: M6NXF2-[1][2][3]-R[4]

#### ORDERING INFORMATION

- Code number: M6NXF2-[1][2][3]-R[4]
- Specify a code from below for each of [1] through [4].  
(e.g. M6NXF2-S2Z1Z1-R/Q)
- Input 1 range (e.g. 1 - 5 V DC)
  - Input 2 range (e.g. 4 - 20 mA DC)
  - Output range (e.g. 4 - 20 mA DC)
  - Specify the specification for option code /Q (e.g. /C01/SET)

#### [1] INPUT 1

Current

**Z1:** Range 0 - 50 mA DC (Input resistance 24.9 Ω)

Voltage

**S1:** Range -1000 - +1000 mV DC (Input resistance 1 MΩ min.)

**S2:** Range -10 - +10 V DC (Input resistance 1 MΩ min.)

(Configurator software is used to change the input type and precise range.)

#### [2] INPUT 2

Same range availability as Input 1

(Configurator software is used to change the input type and precise range.)

#### [3] OUTPUT

Current

**Z1:** Range 0 - 20 mA DC

Voltage

**V2:** Range -10 - +10 V DC

**V3:** Range -5 - +5 V DC

(Configurator software is used to change the output type and precise range.)

#### POWER INPUT

DC Power

**R:** 24 V DC

(Operational voltage range 24 V ±10 %, ripple 10 %p-p max.)

#### [4] OPTIONS

**blank:** none

**/Q:** With options (specify the specification)

#### SPECIFICATIONS OF OPTION: Q (multiple selections)

COATING (For the detail, refer to our web site.)

**/C01:** Silicone coating

**/C02:** Polyurethane coating

EX-FACTORY SETTING

**/SET:** Preset according to the Ordering Information Sheet (No. ESU-7848)

#### FUNCTIONS

PC Configurator Software is used to change function type.

##### Math Functions:

Temperature compensation (w/o square root extraction)

Temperature compensation (with square root extraction)

Pressure compensation (w/o square root extraction)

Pressure compensation (with square root extraction)

Addition / Subtraction

Multiplication

Division

##### Signal Selector Functions:

High selector

Low selector

#### RELATED PRODUCTS

- PC configurator software (model: M6CFG)

Downloadable at our web site.

A dedicated cable is required to connect the module to the PC. Please refer to the internet software download site or the users manual for the PC configurator for applicable cable types.

## GENERAL SPECIFICATIONS

### Connection

**Input and output:** M3 screw terminal (torque 0.5 N·m)

**Power input:** Via the Installation Base (model: M6NBS) or M3 screw terminal (torque 0.5 N·m)

**Recommended solderless terminal:** Max. 5.8 mm (0.23") wide; Ones with insulation sleeve do not fit.  
Applicable wire size: 0.2 - 2.5 mm<sup>2</sup>

**Housing material:** Flame-resistant resin (black)

**Isolation:** Input 1 or input 2 to output to power (Negative sides of the input 1 and 2 must be of the same potential.)

**Overrange output:** -2 - +102 %  
(Negative current output is not available.)

**Zero adjustment:** -2 to +2 % (PC programming)

**Span adjustment:** 98 to 102 % (PC programming)

**Power indicator LED:** Green LED turns on when the power is supplied.

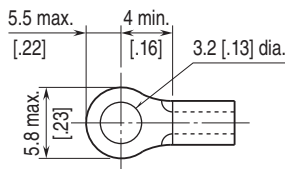
**Status indicator LED:** Orange LED; Blinking patterns indicate different operating status of the transmitter.

**Programming:** Downloaded from PC; input type and range, output type and range, zero and span, function type and parameters, etc.

For detailed information, refer to the users manual for the PC configurator.

**Configurator connection:** 2.5 dia. miniature jack; RS-232-C level

■ Recommended solderless terminal (unit: mm [inch])



## INPUT SPECIFICATIONS

■ **DC Current:** Input resistor incorporated  
(If not specified, the input range is 4 - 20 mA DC.)

**Input range:** 0 - 50 mA DC

**Minimum span:** 2 mA

**Offset:** Lower range can be any specific value within the input range provided that the minimum span is maintained.

### ■ DC Voltage

#### • Code S1 (narrow spans)

**Input range:** -1000 - +1000 mV DC

**Minimum span:** 100 mV

#### • Code S2 (wide spans)

**Input range:** -10 - +10 V DC

**Minimum span:** 1 V

**Offset:** Lower range can be any specific value within the input range provided that the minimum span is maintained.  
If not specified, the input range is shown below.

S1: 0 - 100 mV DC

S2: 1 - 5 V DC

## OUTPUT SPECIFICATIONS

### ■ DC Current

**Output range:** 0 - 20 mA DC

**Conformance range:** 0 - 20.4 mA DC

**Minimum span:** 1 mA

**Offset:** Lower range can be any specific value within the output range provided that the minimum span is maintained.

**Load resistance:** Output drive 11 V max.  
(e.g. 4 - 20 mA: 550 Ω [11 V ÷ 20 mA])

If not specified, the output range is 4 - 20 mA DC.

### ■ DC Voltage

#### Code V2 (wide spans)

**Output range:** -10 - +10 V DC

**Conformance range:** -10.4 - +10.4 V DC

**Minimum span:** 1 V

#### Code V3 (narrow spans)

**Output range:** -5 - +5 V DC

**Conformance range:** -5.2 - +5.2 V DC

**Minimum span:** 0.5 V

**Offset:** Lower range can be any specific value within the output range provided that the minimum span is maintained.

**Load resistance:** Output drive 1 mA max.  
(e.g. 1 - 5 V: 5000 Ω [5 V ÷ 1 mA])

If not specified, the output range is shown below.

V2: 0 - 10 V DC

V3: 1 - 5 V DC

## INSTALLATION

**Power consumption:** Approx. 0.5 W

**Operating temperature:** -20 to +55°C (-4 to +131°F)

**Operating humidity:** 30 to 90 %RH (non-condensing)

**Mounting:** Installation Base (model: M6NBS) or DIN rail

**Weight:** 65 g (2.3 oz)

## PERFORMANCE in percentage of span

**Overall accuracy:** Input accuracy + output accuracy  
See CALCULATION EXAMPLES OF OVERALL ACURACY

• **Input accuracy\*:** (% of max. input range)

-1000 - +1000 mV : ±0.05 %

-10 - +10 V : ±0.05 %

0 - 50 mA : ±0.1 %

• **Output accuracy\*\*:** ±0.04% of max. output range

\*Inversely proportional to the span.

For math functions, the input accuracy equals that of either input 1 or 2, whichever is greater, with the following

parameter setting:

$K_1=K_2=1$ ,  $A_2=0\%$ ,  $X_2=100\%$  for temp./press. compensation  
 $K_0=0.5$ ,  $K_1=K_2=1$ ,  $A_0=A_1=A_2=0\%$  for four arithmetic functions  
 For selector functions, it equals that of the selected signal.  
 \*\*Inversely proportional to the span.

**Temp. coefficient:**  $\pm 0.01\% / ^\circ\text{C}$  ( $\pm 0.006\% / ^\circ\text{F}$ ) of max. span

**Response time:**  $\leq 0.5$  sec. (0 - 90 %)

**Line voltage effect:**  $\pm 0.1\%$  over voltage range

**Insulation resistance:**  $\geq 100\text{ M}\Omega$  with 500 V DC

**Dielectric strength:** 2000 V AC @1 minute (input to output  
to power to ground)

## CALCULATION EXAMPLES OF OVERALL ACCURACY

[Example] Function: Temperature compensation w/o square root extraction;  $K_1=K_2=1$ ,  $A_2=0\%$ ,  $X_2=100\%$

Input 1: Type -10 - +10 V / range 1 - 5 V

Input 2: Type 0 - 50 mA / range 4 - 20 mA

Output: Type 0 - 20 mA / range 4 - 20 mA

Input 1 = Max. Input Range (20 V)  $\div$  Span (4 V)  $\times$  0.05% = 0.25%

Input 2 = Max. Input Range (50 mA)  $\div$  Span (16 mA)  $\times$  0.1% = 0.31%

Output = Max. Output Range (20 mA)  $\div$  Span (16 mA)  $\times$  0.04% = 0.05%

Accuracy = 0.31% (input 2 > input 1) + 0.05% = 0.36%

## STANDARDS & APPROVALS

EU conformity:

EMC Directive

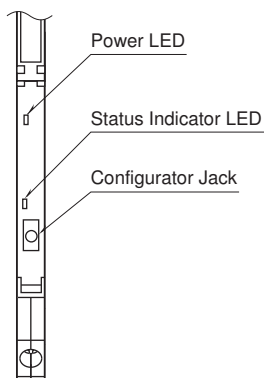
EMI EN 61000-6-4

EMS EN 61000-6-2

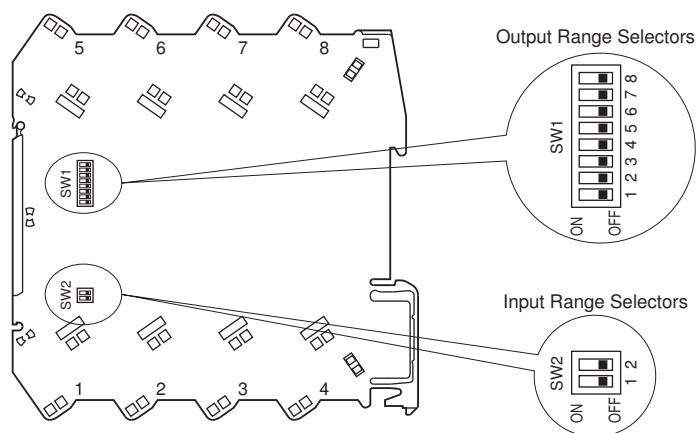
RoHS Directive

## EXTERNAL VIEW

FRONT VIEW (with the cover open)



SIDE VIEW

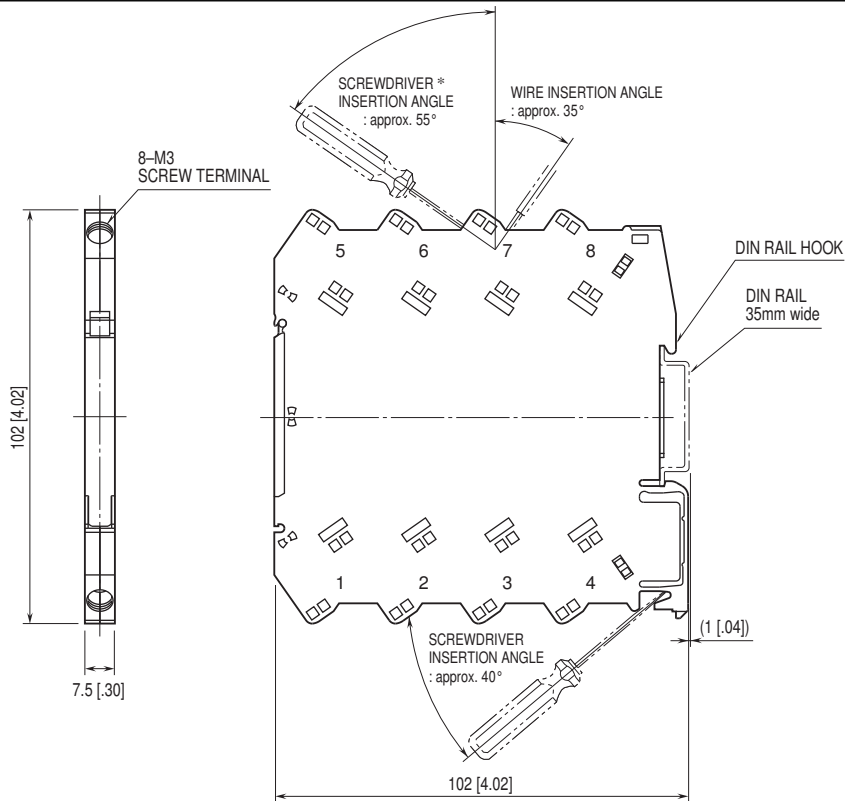


The DIP switch setting is required to select input and output types before setting a precise range using PC Configurator

Software (model: M6CFG).

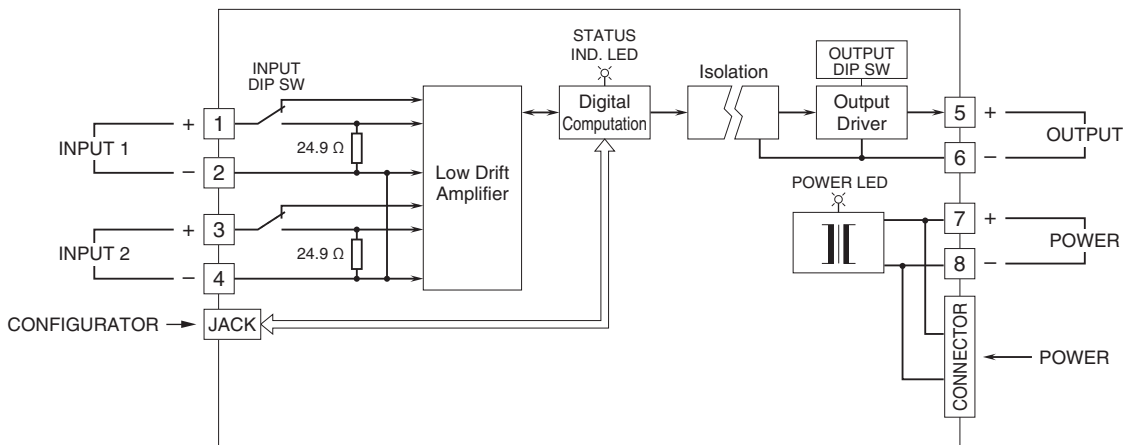
Refer to the instruction manual for detailed procedures.

## EXTERNAL DIMENSIONS & TERMINAL ASSIGNMENTS unit: mm [inch]



\*Screwdriver stem diameter: 6 mm [.24"] or less • When mounting, no extra space is needed between units.

## SCHEMATIC CIRCUITRY & CONNECTION DIAGRAM



## FUNCTIONS

### ■ FUNCTIONS

#### • Math Functions

Temperature compensation (w/o square root extraction)

$$X_0 = \frac{K_1 X_1}{\sqrt{K_2 X_2 + A_2}}$$

where  $X_0$  : Compensated flow (linear characteristics)

$X_1$  : Uncompensated flow

$X_2$  : Temperature

Temperature compensation (with square root extraction)

$$X_0 = \frac{K_1 \sqrt{X_1}}{\sqrt{K_2 X_2 + A_2}}$$

where  $X_0$  : Compensated flow (linear characteristics)

$X_1$  : Uncompensated flow

$X_2$  : Temperature

Pressure compensation (w/o square root extraction)

$$X_0 = K_1 X_1 \sqrt{K_2 X_2 + A_2}$$

where  $X_0$  : Compensated flow (linear characteristics)

$X_1$  : Uncompensated flow

$X_2$  : Pressure

Pressure compensation (with square root extraction)

$$X_0 = K_1 \sqrt{X_1} \sqrt{K_2 X_2 + A_2}$$

where  $X_0$  : Compensated flow (linear characteristics)

$X_1$  : Uncompensated flow

$X_2$  : Pressure

Addition / Subtraction

$$X_0 = K_0 \{K_1(X_1 + A_1) + K_2(X_2 + A_2)\} + A_0$$

Multiplication

$$X_0 = K_0(K_1 X_1 + A_1)(K_2 X_2 + A_2) + A_0$$

Division

$$X_0 = \frac{K_0(K_1 X_1 + A_1)}{(K_2 X_2 + A_2)} + A_0$$

#### • Signal Selector Functions

High selector

$$X_0 = X_1 \text{ with } X_1 \geq X_2$$

$$X_0 = X_2 \text{ with } X_1 < X_2$$

Low selector

$$X_0 = X_2 \text{ with } X_1 \geq X_2$$

$$X_0 = X_1 \text{ with } X_1 < X_2$$

Available range

$X_0$  : Output (%) -2 to +102%

$X_1$  through  $X_2$  : Input (%) -2 to +102%

$K_0$  through  $K_2$  : Gain (no unit)  $\pm 29.999$

$A_0$  through  $A_2$  : Bias (%)  $\pm 299.99\%$

Factory default setting: Addition / Subtraction

$K_0 = 1, K_1 = 1, K_2 = 1, A_0 = 0\%, A_1 = 0\%, A_2 = 0\%$



Specifications are subject to change without notice.