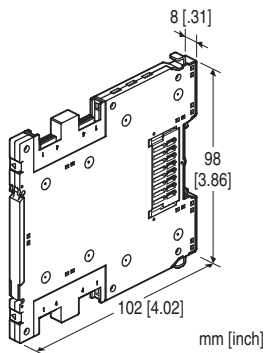


ISOLATOR

Functions & Features

- Converts DC input from a sensor into a standard process signal
- Power connector for interconnecting modules and collectively supplying power
- e-CON connector connection for easy wiring
- 6-mm wide ultra-slim design
- Low profile allows mounting in a 120-mm deep panel
- High-density mounting
- Power indicator LED



MODEL: M60EYV-[1][2]-R[3]

ORDERING INFORMATION

- Code number: M60EYV-[1][2]-R[3]
- Specify a code from below for each of [1] through [3].
(e.g. M60EYV-4W4W-R/K/Q)
- Specify the specification for option code /Q
(e.g. /C01)

[1] INPUT / [2] OUTPUT

- AA:** 4 - 20 mA DC (Input resistance 50 Ω)
/ 4 - 20 mA DC (Load resistance 550 Ω max.)
- A6:** 4 - 20 mA DC (Input resistance 50 Ω)
/ 1 - 5 V DC (Load resistance 5000 Ω min.)
- 6A:** 1 - 5 V DC (Input resistance 1 M Ω min.)
/ 4 - 20 mA DC (Load resistance 550 Ω max.)
- 66:** 1 - 5 V DC (Input resistance 1 M Ω min.)
/ 1 - 5 V DC (Load resistance 5000 Ω min.)
- 4W4W:** -10 - +10 V DC (Input resistance 1 M Ω min.)
/ -10 - +10 V DC (Load resistance 20 k Ω min.)

POWER INPUT

DC Power
R: 24 V DC

[3] OPTIONS (multiple selections)

Response Time (0 - 90 %)

blank: Standard response (\leq 0.5 sec.)

/K: Fast Response (\leq 5 msec.)

Other Options

blank: none

/Q: Option other than the above (specify the specification)

SPECIFICATIONS OF OPTION: Q

COATING (For the detail, refer to our web site.)

/C01: Silicone coating

/C02: Polyurethane coating

GENERAL SPECIFICATIONS

Connection

Input and output: 4-pin e-CON connector

Power input: Via the power connector or the 4-pin e-CON connector

PWB connector (mounted)

Recommended cable connector: XN2A-1470 (omron)

Applicable wire size: 0.08mm² (AWG28) to 0.5mm² (AWG20)

Outer sheath diameter: max. 1.5 dia

(The cable connector is not included in the package.

Refer to the specifications of the product.)

Housing material: Flame-resistant resin (black)

Isolation: Input to output to power

Zero adjustment: -2 to +2 % (front)

(Output code 4W: Adjustable at 0 V.)

Span adjustment: 98 to 102 % (front)

Power indicator LED: Green LED turns on when the power is supplied.

INPUT SPECIFICATIONS

- **DC Current:** Input resistor incorporated

INSTALLATION

Power consumption: Max. 0.6 W

Power input: Max. 3 A (Total current consumed by the interconnected signal conditioner must be 3 A or less.)

Operating temperature: -20 to +55°C (-4 to +131°F)

Operating humidity: 30 to 90 %RH (non-condensing)

Atmosphere: No corrosive gas or heavy dust

Mounting: DIN rail

Weight: 65 g (2.3 oz)

PERFORMANCE in percentage of span

Accuracy: \pm 0.1 %

Temp. coefficient: \pm 0.01 %/°C (\pm 0.006 %/°F)

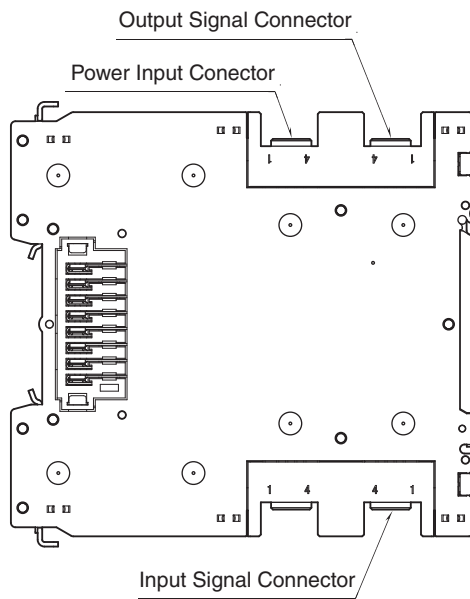
Line voltage effect: $\pm 0.1\%$ over voltage range
Insulation resistance: $\geq 100\text{ M}\Omega$ with 500 V DC
Dielectric strength: 1500 V AC @1 minute (input to output to power to ground)

STANDARDS & APPROVALS

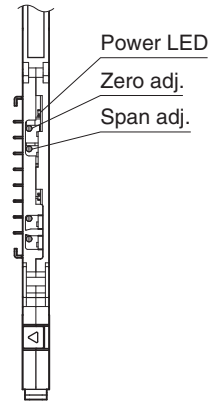
EU conformity:
EMC Directive
EMI EN 61000-6-4
EMS EN 61000-6-2
RoHS Directive

EXTERNAL VIEW

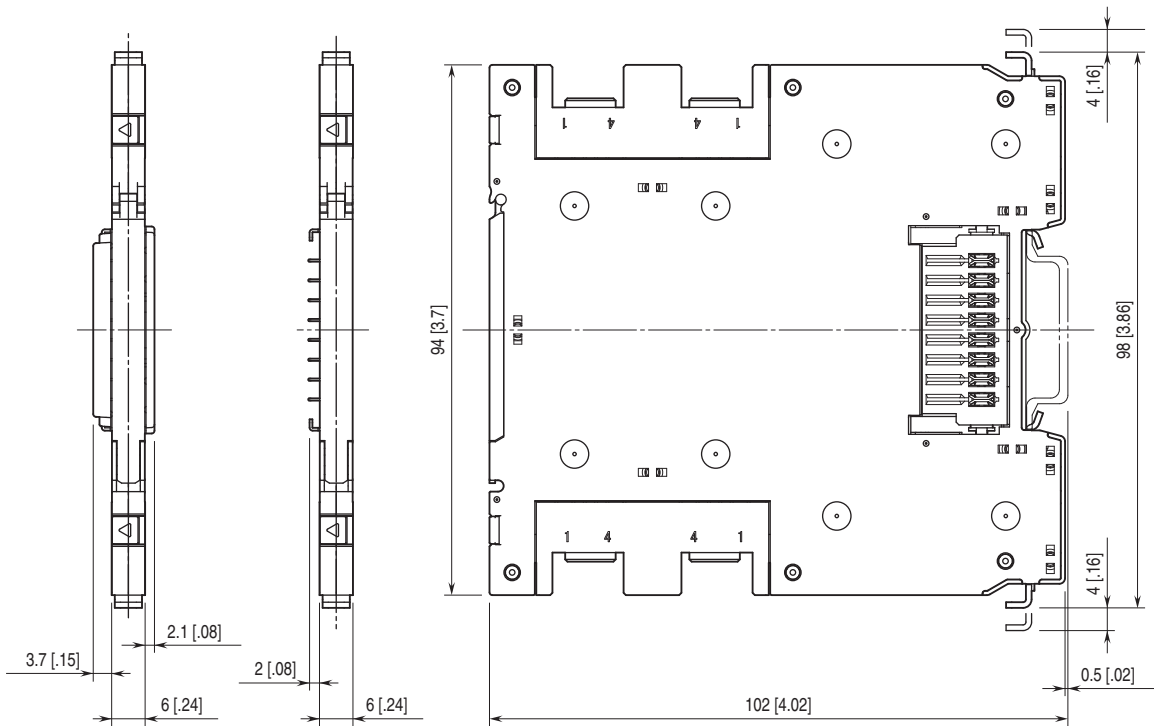
■ LEFT SIDE VIEW



■ FRONT VIEW (With the front cover removed)



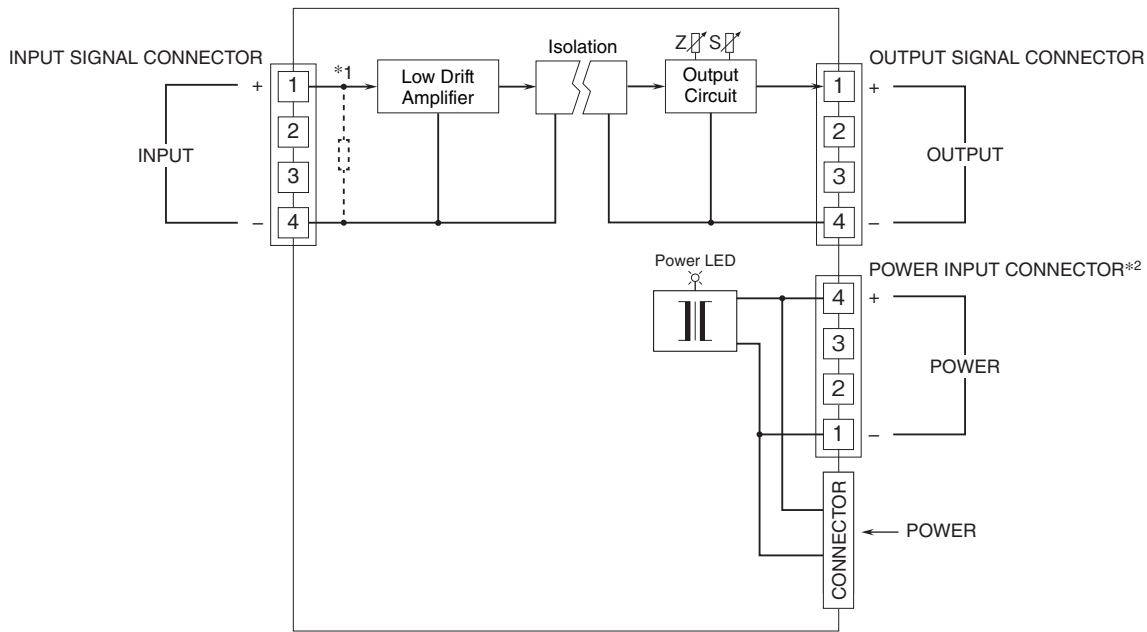
EXTERNAL DIMENSIONS & TERMINAL ASSIGNMENTS unit: mm [inch]



· With the end cover attached

· Capable of High-density mounting

SCHEMATIC CIRCUITRY & CONNECTION DIAGRAM



*1. Input shunt resistor incorporated for current input.
 *2. Confirm the direction of e-CON.



Specifications are subject to change without notice.