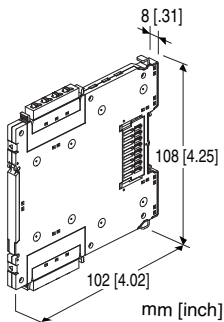


Base-free Interconnecting Ultra-Slim Signal Conditioners M60S Series

## ISOLATOR

### Functions & Features

- Converts DC input from a sensor into a standard process signal
- Power connector for interconnecting modules and collectively supplying power
- Spring clamp connection for easy wiring
- 6-mm wide ultra-slim design
- Low profile allows mounting in a 120-mm deep panel
- High-density mounting
- Power indicator LED



**MODEL: M60SYV-[1][2]-R[3]**

### ORDERING INFORMATION

- Code number: M60SYV-[1][2]-R[3]
- Specify a code from below for each of [1] through [3].  
(e.g. M60SYV-4W4W-R/K/Q)
- Specify the specification for option code /Q  
(e.g. /C01)

### [1] INPUT / [2] OUTPUT

- AA:** 4 - 20 mA DC (Input resistance 50 Ω)  
/ 4 - 20 mA DC (Load resistance 550 Ω max.)
- A6:** 4 - 20 mA DC (Input resistance 50 Ω)  
/ 1 - 5 V DC (Load resistance 5000 Ω min.)
- 6A:** 1 - 5 V DC (Input resistance 1 MΩ min.)  
/ 4 - 20 mA DC (Load resistance 550 Ω max.)
- 66:** 1 - 5 V DC (Input resistance 1 MΩ min.)  
/ 1 - 5 V DC (Load resistance 5000 Ω min.)
- 4W4W:** -10 - +10 V DC (Input resistance 1 MΩ min.)  
/ -10 - +10 V DC (Load resistance 20 kΩ min.)

### POWER INPUT

DC Power  
R: 24 V DC  
(Operational voltage range 24 V ±10 %, ripple 10 %p-p max.)

### [3] OPTIONS (multiple selections)

Response Time (0 - 90 %)  
**blank:** Standard response (≤ 0.5 sec.)  
**/K:** Fast Response (≤ 5 msec.)  
Other Options  
**blank:** none  
**/Q:** Option other than the above (specify the specification)

### SPECIFICATIONS OF OPTION: Q

COATING (For the detail, refer to our web site.)  
**/C01:** Silicone coating  
**/C02:** Polyurethane coating

### GENERAL SPECIFICATIONS

**Connection**  
**Input and output:** Spring clamp terminal  
**Power input:** Via the power connector or the spring clamp terminal  
**Applicable wire size:** 0.2 to 1.5 mm<sup>2</sup>, stripped length 8 mm  
**Housing material:** Flame-resistant resin (black)  
**Isolation:** Input to output to power  
**Zero adjustment:** -2 to +2 % (front)  
(Output code 4W: Adjustable at 0 V.)  
**Span adjustment:** 98 to 102 % (front)  
**Power indicator LED:** Green LED turns on when the power is supplied.

### INPUT SPECIFICATIONS

■ **DC Current:** Input resistor incorporated

### INSTALLATION

**Power consumption:** Max. 0.6 W  
**Power input:** Max. 3 A (Total current consumed by the interconnected signal conditioner must be 3 A or less.)  
**Operating temperature:** -20 to +55°C (-4 to +131°F)  
**Operating humidity:** 30 to 90 %RH (non-condensing)  
**Atmosphere:** No corrosive gas or heavy dust  
**Mounting:** DIN rail  
**Weight:** 65 g (2.3 oz)

### PERFORMANCE in percentage of span

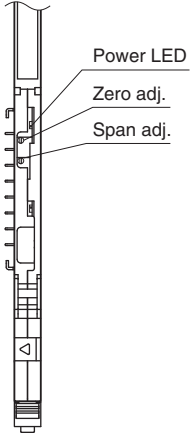
**Accuracy:** ±0.1 %  
**Temp. coefficient:** ±0.01 %/°C (±0.006 %/°F)  
**Line voltage effect:** ±0.1 % over voltage range  
**Insulation resistance:** ≥ 100 MΩ with 500 V DC  
**Dielectric strength:** 1500 V AC @1 minute (input to output to power to ground)

**STANDARDS & APPROVALS**

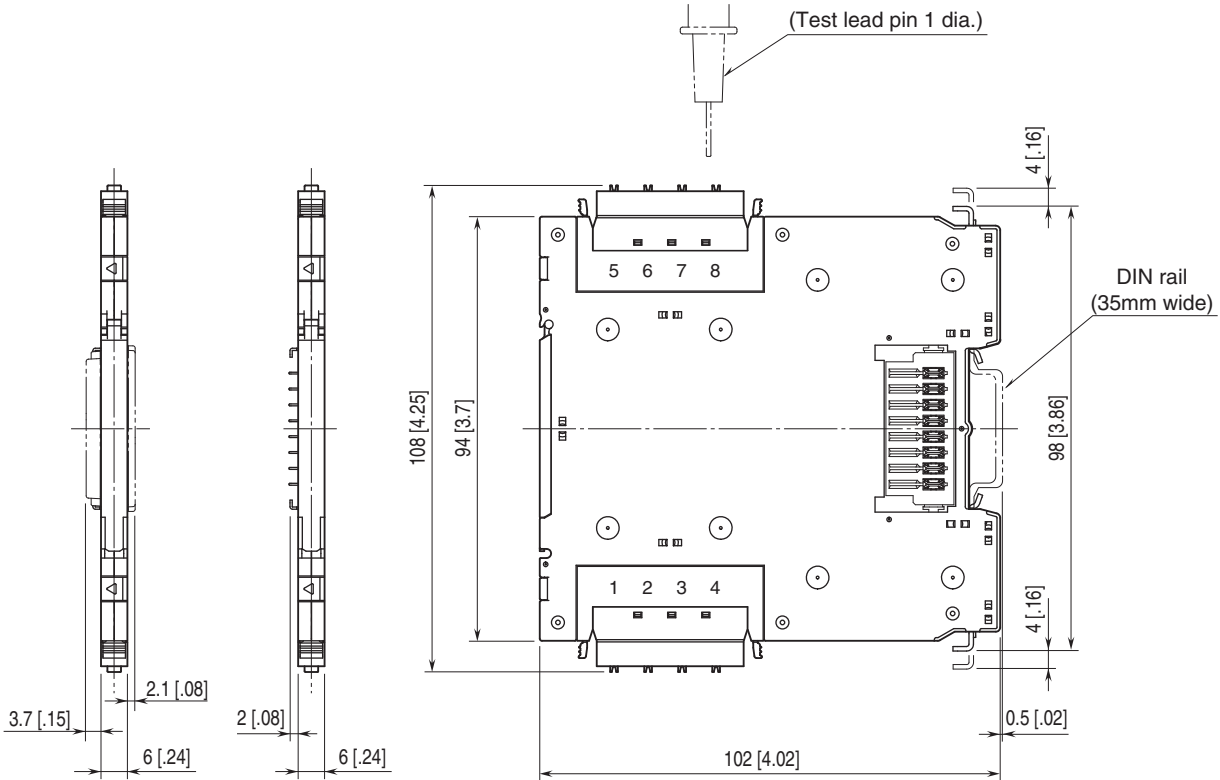
EU conformity:  
 EMC Directive  
 EMI EN 61000-6-4  
 EMS EN 61000-6-2  
 RoHS Directive

**EXTERNAL VIEW**

■ FRONT VIEW (With the front cover removed)



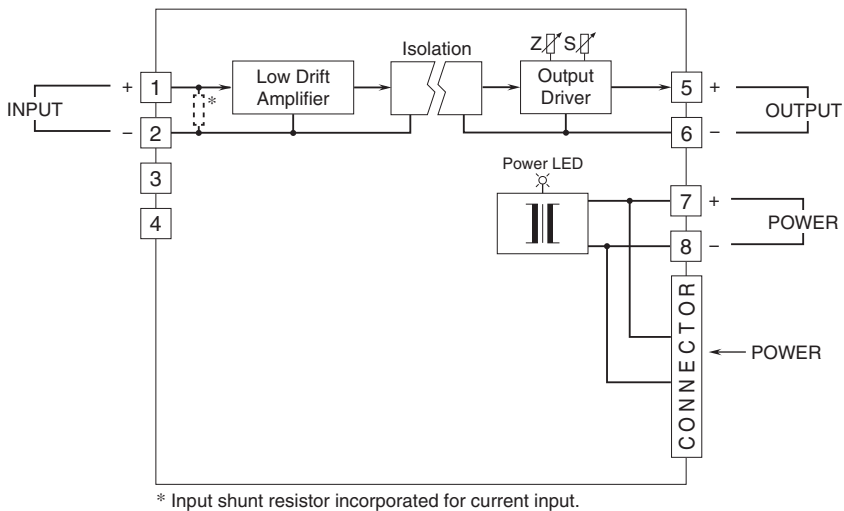
**EXTERNAL DIMENSIONS & TERMINAL ASSIGNMENTS unit: mm [inch]**



• With the end cover attached

• Capable of High-density mounting

**SCHEMATIC CIRCUITRY & CONNECTION DIAGRAM**



Specifications are subject to change without notice.