

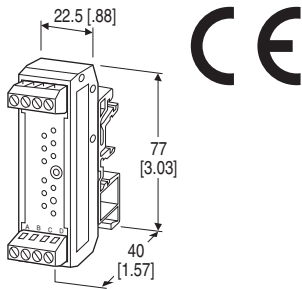
Dual Output Super-mini Signal Conditioners Pico-M Series

SINGLE MOUNT BASE SOCKET

(single-output)

Functions & Features

- Single mount base socket for Pico-M series signal conditioners
- Single-output (output 2)



MODEL: M8BS-1-1[1]

ORDERING INFORMATION

- Code number: M8BS-1-1[1]
- Specify codes from below for [1].
(e.g. M8BS-1-1/Q)
- Specify the specification for option code /Q
(e.g. /C01)

OUTPUT

1: Single output

The M8BS-1 is not usable for Model M8CT, M8CT1, M8XT2 or M8XT3.

Select Option /SK with Model M8TSx.

[1] OPTIONS

blank: none

/Q: With options (specify the specification)

SPECIFICATIONS OF OPTION: Q

COATING (For the detail, refer to our web site.)

Only solder side of the PWB is coated.

/C01: Silicone coating

/C02: Polyurethane coating

/C03: Rubber coating

GENERAL SPECIFICATIONS

Connection: Euro type terminal

(applicable wire size: 0.14 to 1.5 mm², stripped length 7 mm)

Housing material: Flame-resistant resin

Isolation: Input to output 2 to power

INSTALLATION

Power input: Operational voltage range 24 V DC $\pm 10\%$, ripple 10 % p-p max.

Operating temperature: 0 to 55°C (32 to 131°F)

Operating humidity: 30 to 90 %RH (non-condensing)

Mounting: DIN rail

DIN/EN 50045 (15 × 5)

DIN/EN 50022 (35 × 7.5)

DIN/EN 50035 (G 32)

Weight: 40 g (1.4 oz)

PERFORMANCE

Insulation resistance: $\geq 100\text{ M}\Omega$ with 500 V DC

Dielectric strength:

1500 V AC @1 minute (input to output 2 or power)

500 V AC @1 minute (output 2 to power)

STANDARDS & APPROVALS

EU conformity:

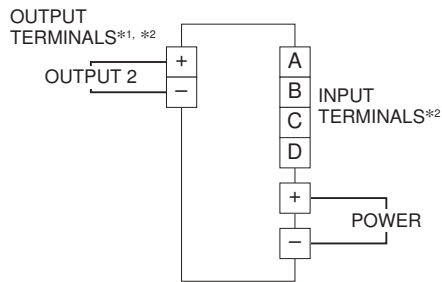
EMC Directive

EMI EN 61000-6-4

EMS EN 61000-6-2

RoHS Directive

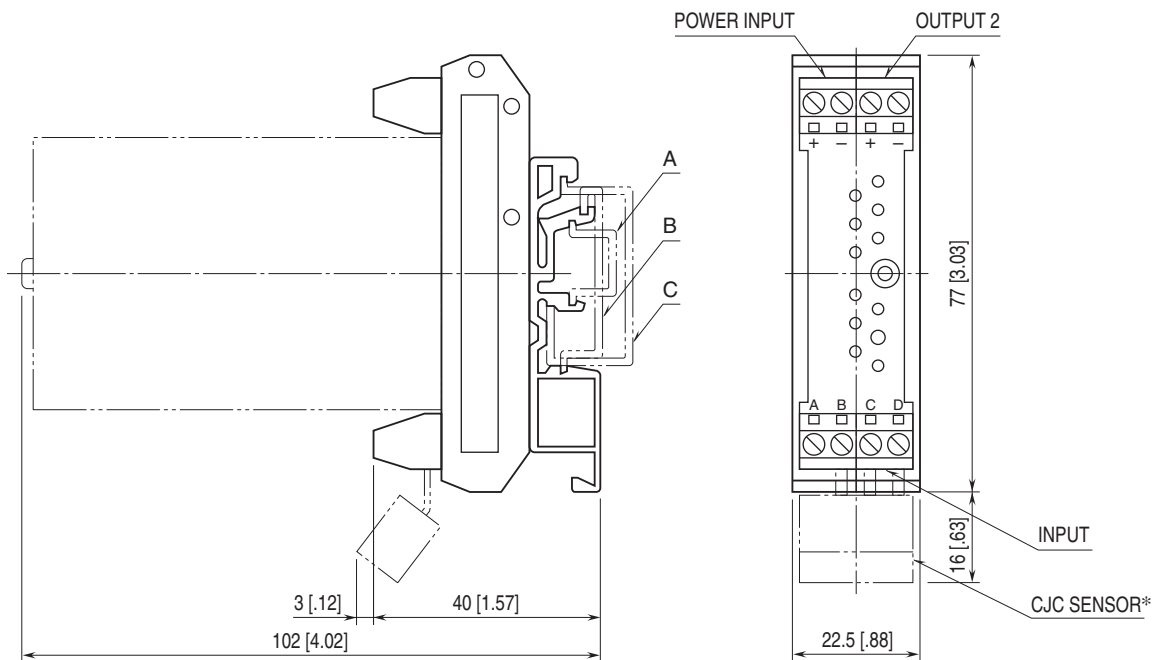
CONNECTION DIAGRAM



*1.Output 1 is unavailable.

*2.The input and output terminals are reversed for model M8YSx, M8YCx.

EXTERNAL DIMENSIONS unit: mm [inch]



*Used only for Thermocouple Converters.

•Adaptable DIN Rail Types

A: DIN/EN 50045 (15 x 5)

B: DIN/EN 50022 (35 x 7.5)

C: DIN/EN 50035 (G32)

•When mounting, no extra space is needed between units.



Specifications are subject to change without notice.