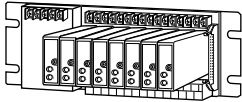


## INSTALLATION BASE (8 positions)

### Functions and Features

- Installation Base (8 positions) dedicated for Dual Output Super-mini Signal Conditioners Pico-M
- Saving wiring work within an instrumentation panel
- Power supplied through printed wiring on the base
- Connection: Output 1 with M3.5 screw terminals, Output 2 with connector



## MODEL: M8BSC-8U1-[1][2]

### ORDERING INFORMATION

- Code number: M8BSC-8U1-[1][2]
- Specify a code from below for each of [1] and [2].  
(e.g. M8BSC-8U1-KK/Q)
- Specify the specification for option code /Q  
(e.g. /C01)

### CONNECTION (output 1/output 2)

U1: Screw terminal block / Fujitsu FCN type connector

### [1] POWER SUPPLY UNIT

AC Power

**K:** 85 - 132 V AC; single power source

(Operational voltage range 85 - 132 V, 47 - 63 Hz)

**KK:** 85 - 132 V AC; two independent power sources

(Operational voltage range 85 - 132 V, 47 - 63 Hz)

**L:** 170 - 264 V AC; single power source

(Operational voltage range 170 - 264 V, 47 - 63 Hz)

DC Power

**R:** 24 V DC; no power supply unit

(Operational voltage range 24 V  $\pm$ 10 %, ripple 10 %p-p max.)

Redundant power supplies are recommended for long time use without interruption.

### [2] OPTIONS

blank: none

/Q: With options (specify the specification)

### SPECIFICATIONS OF OPTION: Q

COATING (For the detail, refer to our web site.)

Only solder side of the main PWB is coated.

/C01: Silicone coating

/C02: Polyurethane coating

### GENERAL SPECIFICATIONS

Capacity: 8 positions

Connection

**Power input:** M3.5 screw terminals (M3 screw terminals for AC power input) (torque 0.8 N·m, 0.5 N·m for AC power input)

**Input and output:** M3.5 screw terminals (torque 0.8 N·m)

**Screw terminal:** Nickel-plated steel

**Isolation:** Input to output 1 to output 2 to power to FG

**Power indicator LED:** ON with normal voltage level

### INSTALLATION

Power Consumption

•AC: 130 VA min.

•DC: 0.7 A min.

**Operating temperature:** 0 to 55°C (32 to 131°F)

0 to 50°C (32 to 122°F) for AC power

**Operating humidity:** 30 to 90 %RH (non-condensing)

**Mounting:** Surface

**Weight:**

0.8 kg (1.8 lb) for power code K, L

0.9 kg (2.0 lb) for power code KK

0.7 kg (1.5 lb) for power code R

### PERFORMANCE

**Insulation resistance:**  $\geq$  100 M $\Omega$  with 500 V DC

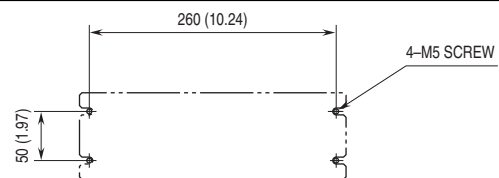
**Dielectric strength:**

1500 V AC @1 minute (input to output 1 or output 2 or power to FG)

500 V AC @1 minute (output 1 to output 2 to power)

500 V AC @1 minute (output 1 or output 2 to FG for AC power input)

### MOUNTING REQUIREMENTS unit: mm (inch)



## CONNECTION DIAGRAM

■ MODEL: M8BSC-8U1 (M3.5 screw terminals / Fujitsu FCN connector)

● Connector Pin Assignment

I/O Connector: OTAX N364P040AU

(Fujitsu FCN-364P040-AU...discontinued)

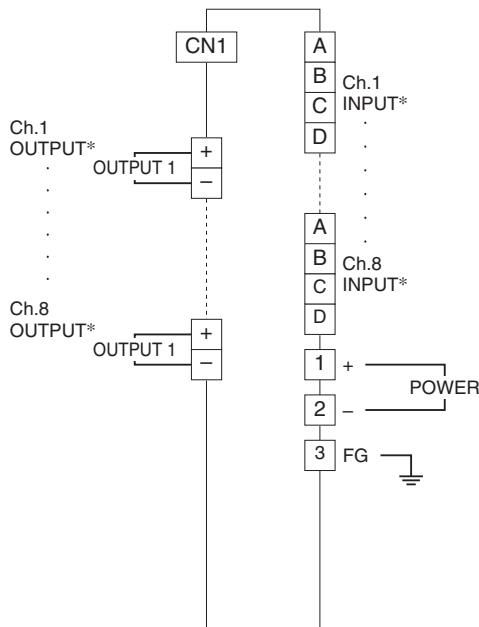
CN1: Output Signal 2 or Input Signal

| PIN NO. | ASSIGNMENT | PIN NO. | ASSIGNMENT |
|---------|------------|---------|------------|
| A1      | ch.1 +     | B1      | ch.1 -     |
| A2      | ch.2 +     | B2      | ch.2 -     |
| A3      | ch.3 +     | B3      | ch.3 -     |
| A4      | ch.4 +     | B4      | ch.4 -     |
| A5      | ch.5 +     | B5      | ch.5 -     |
| A6      | ch.6 +     | B6      | ch.6 -     |
| A7      | ch.7 +     | B7      | ch.7 -     |
| A8      | ch.8 +     | B8      | ch.8 -     |

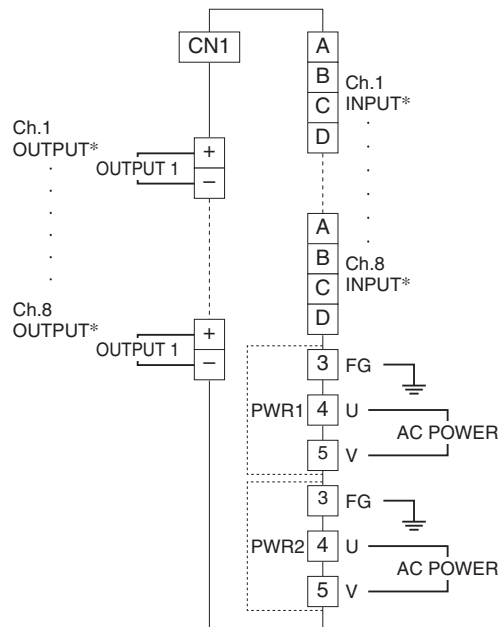
A9 - A20, B9 - B20 are not in use

## CONNECTION DIAGRAM

■ DC Power Supply



■ Single Power Supply, Two Independent Power Sources

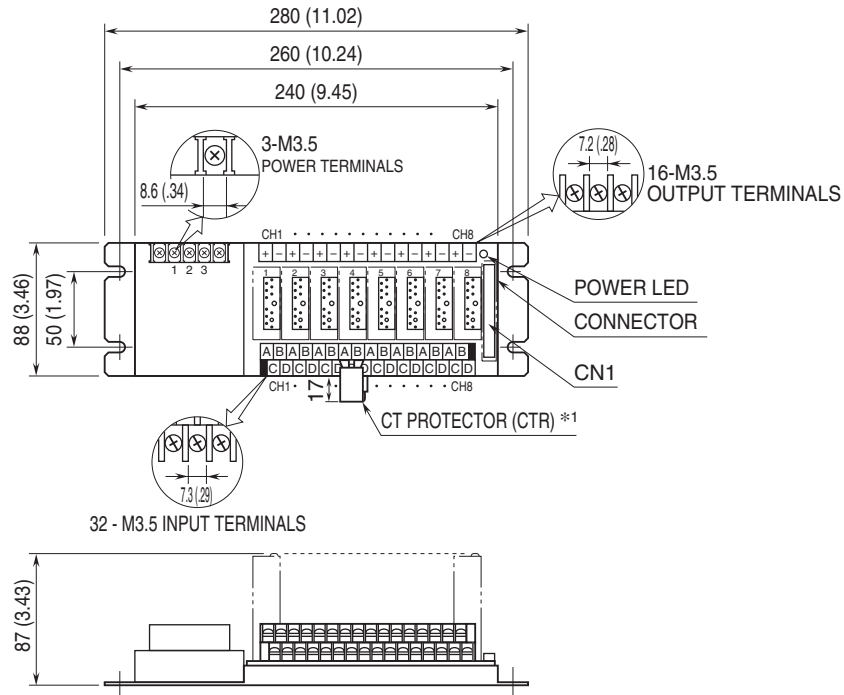


PWR2 provided only for two independent power sources.

\*The input and output terminals are reversed for model M8YSx.  
Use either Output 1 or Output 2 (connector) terminal for the input.

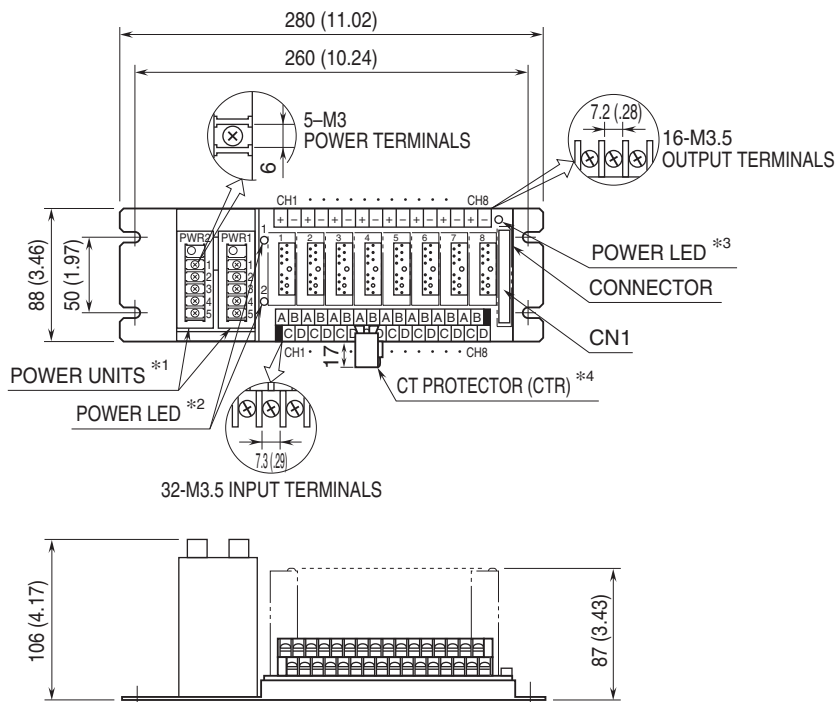
## EXTERNAL DIMENSIONS unit: mm [inch]

### ■ M8BSC-8U1-R



\*1. Included with M8CTx.

### ■ M8BSC-8U1-K, KK, L



\*1. PWR2 provided only for two independent power sources.

\*2. Provided only for two independent power sources.

\*3. Provided only for single power source.

\*4. Included with M8CTx.



Specifications are subject to change without notice.