

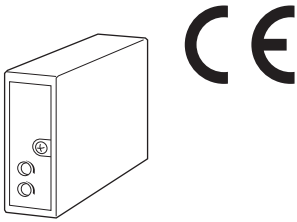
Dual Output Super-mini Signal Conditioners Pico-M Series

DELAY BUFFER

(CE)

Functions & Features

- Generating two isolated first order lag outputs in accordance with the preset time constant (0.2 – 20 sec.)
- Space-saving, easy-to-maintain, multi-channel installation base



MODEL: M8CD1-[1][2]-R[3]

ORDERING INFORMATION

- Code number: M8CD1-[1][2]-R[3]

Specify a code from below for each of [1] through [3].

- (e.g. M8CD1-A6A-R/Q)
- Specify the specification for option code /Q (e.g. /C01/V01)

[1] INPUT

Current

A: 4 – 20 mA DC (Input resistance 250 Ω)

Voltage

4: 0 – 10 V DC (Input resistance 1 MΩ min.)

5: 0 – 5 V DC (Input resistance 1 MΩ min.)

6: 1 – 5 V DC (Input resistance 1 MΩ min.)

[2] OUTPUT 1 / OUTPUT 2

6A: 1 – 5 V DC (Load resistance 2500 Ω min.)
/ 4 – 20 mA DC (Load resistance 300 Ω max.)

44: 0 – 10 V DC (Load Resistance 5000 Ω min.)
/ 0 – 10 V DC (Load Resistance 5000 Ω min.)

55: 0 – 5 V DC (Load resistance 2500 Ω min.)
/ 0 – 5 V DC (Load resistance 2500 Ω min.)

66: 1 – 5 V DC (Load resistance 2500 Ω min.)
/ 1 – 5 V DC (Load resistance 2500 Ω min.)

POWER INPUT

DC Power

R: 24 V DC

(Operational voltage range 24 V ±10 %, ripple 10 %p-p max.)

[3] OPTIONS

blank: none

/Q: With options (specify the specification)

SPECIFICATIONS OF OPTION: Q (multiple selections)

COATING (For the detail, refer to our web site.)

/C01: Silicone coating

/C02: Polyurethane coating

/C03: Rubber coating

ADJUSTMENT

/V01: Multi-turn fine adjustment

RELATED PRODUCTS

- Installation Base or Single Mount Base Socket (model: M8BSx)

This unit must be mounted on dedicated base or socket.

GENERAL SPECIFICATIONS

Construction: Plug-in

Mounting screw: M3 screw (torque 0.3 N·m)

Housing material: Flame-resistant resin (black)

Power supply: Via the Installation Base terminals (model: M8BSx)

Isolation: Input to output 1 to output 2 to power

Time constant adjustment: 0.2 – 20 sec. ±25 % (0 to approx. 63.2 %)

270°-turn screwdriver adjustment (bottom) (factory setting: MIN.)

Zero adjustment: -2 to +2 % (front)

Span adjustment: 98 to 102 % (front)

INPUT SPECIFICATIONS

■ DC Current: Input resistor incorporated

■ DC Voltage

Input resistance: 1 MΩ min. (10 kΩ min. in power failure)

INSTALLATION

Current consumption: Approx. 30 mA (50 mA for current output)

Operating temperature: 0 to 55°C (32 to 131°F)

Operating humidity: 30 to 95 %RH (non-condensing)

Mounting: Installation Base (model: M8BSx)

Weight: 70 g (2.5 oz)

PERFORMANCE in percentage of span

Accuracy: ±0.1 %

Temp. coefficient: ±0.02 %/°C (±0.01 %/°F)

Line voltage effect: ±0.1 % over voltage range

Insulation resistance: ≥ 100 MΩ with 500 V DC

Dielectric strength:

1500 V AC @1 minute (input to output 1 or output 2 or power to ground)
500 V AC @1 minute (output 1 to output 2 to power)

SWC test: ANSI/IEEE-C37.90.1-1989

STANDARDS & APPROVALS

EU conformity:

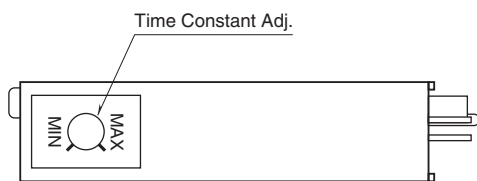
EMC Directive

EMI EN 61000-6-4

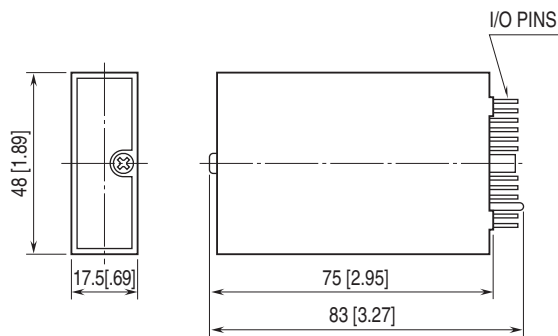
EMS EN 61000-6-2

RoHS Directive

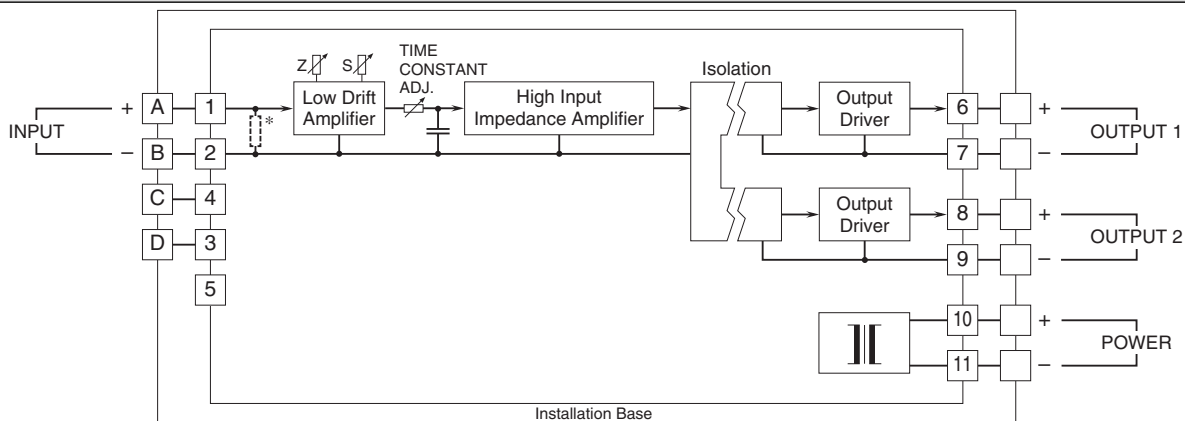
BOTTOM VIEW



EXTERNAL DIMENSIONS unit: mm [inch]



SCHEMATIC CIRCUITRY & CONNECTION DIAGRAM



*Input shunt resistor incorporated for current input.

Specifications are subject to change without notice.