

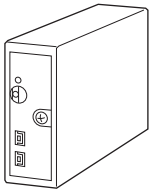
Dual Output Super-mini Signal Conditioners Pico-M Series

POTENTIOMETER CONVERTER

(PC programmable)

Functions & Features

- Provides two isolated DC outputs proportional to a potentiometer or slidewire position input
- PC programmable
- Captures zero/span points using front switches
- Space-saving, easy-to-maintain, multi-channel installation base

**MODEL: M8XM2-[1]-R[2]****ORDERING INFORMATION**

- Code number: M8XM2-[1]-R[2]

Specify a code from below for each of [1] and [2].

(e.g. M8XM2-V2V2-R/Q)

- Input Range (e.g. 0 – 800 Ω)
- Output 1 / Output 2 (e.g. 1 – 5 V / 1 – 5 V DC)

If no I/O specifications are specified, model M8XM2-V2V2-R/Q will be shipped.

[Total resistance 1k Ω , V2V2: 1 – 5 V DC / 1 – 5 V DC]

- Use Ordering Information Sheet (No. ESU-5472) to specify linearization data when the I/O signals are nonlinear. Linear data will be programmed if not otherwise specified.
- Specify the specification for option code /Q (e.g. /C01)

INPUT POTENTIOMETERTotal resistance 50 Ω – 8 k Ω

(Configurator software is used to change the input range.)

[1] OUTPUT 1 / OUTPUT 2**V2Z1:** Range -10 – +10 V DC / Range 0 – 20 mA DC**V2V2:** Range -10 – +10 V DC / Range -10 – +10 V DC

(Configurator software is used to change output over the described range of the selected suffix code.

For changing between suffix codes, set the Output Range Selector on the side of unit before software adjustment.)

POWER INPUT

DC Power

R: 24 V DC

(Operational voltage range 24 V \pm 10 %, ripple 10 %p-p max.)**[2] OPTIONS****blank:** none**/Q:** With options (specify the specification)**SPECIFICATIONS OF OPTION: Q**

COATING (For the detail, refer to our web site.)

/C01: Silicone coating**/C02:** Polyurethane coating**/C03:** Rubber coating**RELATED PRODUCTS**

- Installation Base or Single Mount Base Socket (model: M8BSx)

This unit must be mounted on dedicated base or socket.

- PC configurator software (model: JXCON)

Downloadable at our web site.

A dedicated cable is required to connect the module to the PC. Please refer to the internet software download site or the users manual for the PC configurator for applicable cable types.

GENERAL SPECIFICATIONS**Construction:** Plug-in**Mounting screw:** M3 screw (torque 0.3 N·m)**Housing material:** Flame-resistant resin (black)**Power supply:** Via the Installation Base terminals (model: M8BSx)**Isolation:** Input to output 1 to output 2 to power**Overrange output:** Approx. -15 to +115 %**Manual zero adjustments:** -5 to +5 %

(factory setting: 0 %)

Manual span adjustments: 95 to 105 %

(factory setting: 100 %)

Programming: Downloaded from PC; input range (total resistance), output range, zero and span, simulating output, linearization, etc.**Burnout protection:** Upscale standard; downscale or no burnout optional by programming**Status indicator LED:** Blinking patterns indicate different operating status of the transmitter.**Configurator connection:** 2.5 dia. miniature jack; RS-232-C level

INPUT SPECIFICATIONS**Minimum span**

(Input Range (Total Resistance): Minimum Span)

0 - 50 Ω (50 Ω): 2.5 Ω

0 - 100 Ω (50 - 100 Ω): 3 Ω

0 - 250 Ω (100 - 250 Ω): 3 Ω

0 - 800 Ω (250 - 800 Ω): 10 Ω

0 - 8 kΩ (800 Ω - 8 kΩ): 10 Ω

Excitation: ≤ 0.65 V DC at 1 kΩ

If not specified, the total resistance is 1 kΩ.

OUTPUT SPECIFICATIONS

■ **DC Current:** 0 - 20 mA DC

Operational range: 0 - 24 mA DC

Minimum span: 1 mA

Offset: Lower range can be any specific value within the output range provided that the minimum span is maintained.

Load resistance: Output drive 6 V max.

(e.g. 4 - 20 mA: 300 Ω [6 V ÷ 20 mA])

■ **DC Voltage:** -10 - +10 V DC

Operational range: -11.5 - +11.5 V DC

Minimum span: 1 V

Offset: Lower range can be any specific value within the output range provided that the minimum span is maintained.

Load resistance: Output drive 1 mA max.

(e.g. 1 - 5 V: 5000 Ω [5 V ÷ 1 mA])

If not specified, the output range is shown below.

V2Z1: 1 - 5 V / 4 - 20 mA DC

V2V2: 1 - 5 V / 1 - 5 V DC

0 - 8 kΩ : ±0.02 %

• **Output accuracy:** (% of output range)

-10 - +10 V : ±0.02 %

0 - 20 mA : ±0.04 %

Temp. coefficient: ±0.015 %/°C (±0.008 %/°F) of I/O range at 0 to 55°C [32 to 131°F]

Response time: ≤ 0.9 sec. (0 - 90 %)

Line voltage effect: ±0.1 % over voltage range

Insulation resistance: ≥ 100 MΩ with 500 V DC

Dielectric strength:

1500 V AC @1 minute (input to output 1 or output 2 or power to ground)

500 V AC @1 minute (output 1 to output 2 to power)

HOW TO CALCULATE THE ACCURACY■ **Overall Accuracy**

[Example] Total resistance 800 Ω, 250 - 750 Ω input, 1 - 5 V output

Input Accuracy

= Max. Range ÷ Input Span × Input Accuracy

= 800 ÷ 500 × 0.01

= 0.02

Output Accuracy

= Max. Range ÷ Output Span × Output Accuracy

= 20 ÷ 4 × 0.02 = 0.1

Overall Accuracy

= 0.02 + 0.1

= ±0.12 %

INSTALLATION

Current consumption: Approx. 50 mA (70 mA for current output)

Operating temperature: 0 to 55°C (32 to 131°F)

Operating humidity: 30 to 95 %RH (non-condensing)

Mounting: Installation Base (model: M8BSx)

Weight: 70 g (2.5 oz)

PERFORMANCE**Overall accuracy:**

Input accuracy + output accuracy [gain ≤ 1]

(inp. accuracy + out. accuracy) × gain [gain > 1]

Inversely proportional to the span.

See HOW TO CALCULATE THE ACCURACY.

• **Input accuracy:** (% of input range)

0 - 50 Ω : ±0.02 %

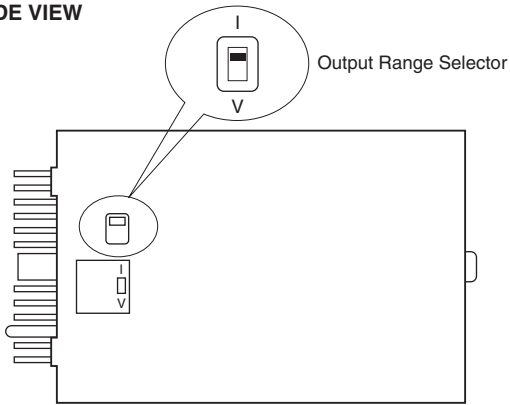
0 - 100 Ω : ±0.02 %

0 - 250 Ω : ±0.01 %

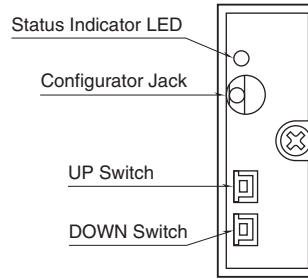
0 - 800 Ω : ±0.01 %

EXTERNAL VIEWS

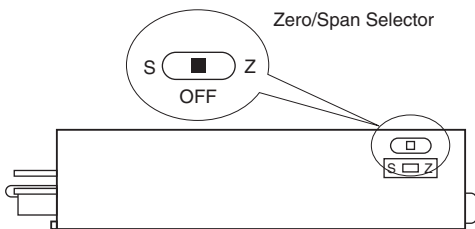
■ SIDE VIEW



■ FRONT VIEW



■ BOTTOM VIEW



Output Range Selector

(SW POSITION: RANGE)

I: V2Z1 (-10 - +10 V / 0 - 20 mA DC)

V: V2V2 (-10 - +10 V / -10 - +10 V DC)

Zero/Span Selector

(SW POSITION: MODE)

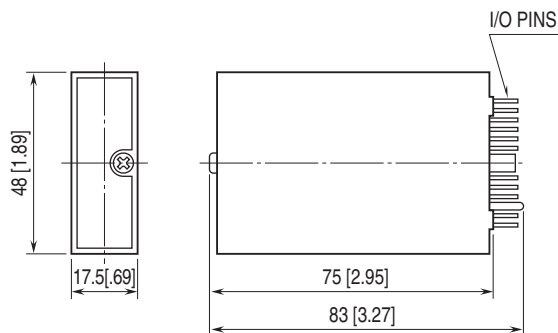
S: SPAN

Center: OFF

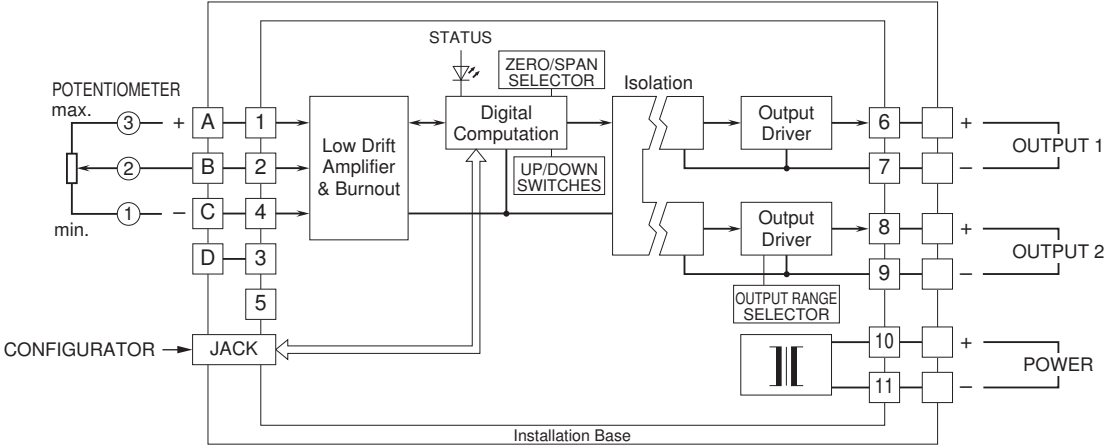
Z: ZERO

Zero/Span is calibrated by using UP/DOWN switches when the calibration mode is set. Refer to the instruction manual for detailed procedures.

EXTERNAL DIMENSIONS unit: mm [inch]



SCHEMATIC CIRCUITRY & CONNECTION DIAGRAM



Specifications are subject to change without notice.