

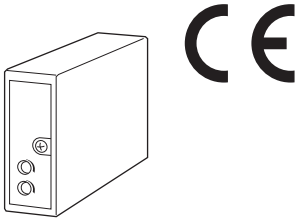
Dual Output Super-mini Signal Conditioners Pico-M Series

CONTROL OUTPUT ISOLATOR

(CE)

Functions & Features

- Providing an isolated DC output at the Installation Base terminals
- Detecting opencircuit at the output loop
- Space-saving, easy-to-maintain, multi-channel installation base



MODEL: M8YC1-AA-R[1]

ORDERING INFORMATION

- Code number: M8YC1-AA-R[1]
Specify a code from below for [1].
(e.g. M8YC1-AA-R/Q)
- Specify the specification for option code /Q
(e.g. /C01/V01)

INPUT

Current

A: 4 - 20 mA DC (Input resistance 250 Ω)

OUTPUT

Current

A: 4 - 20 mA DC (Load resistance 550 Ω max.)

POWER INPUT

DC Power

R: 24 V DC

(Operational voltage range 24 V ±10 %, ripple 10 %p-p max.)

[1] OPTIONS

blank: none

/Q: With options (specify the specification)

SPECIFICATIONS OF OPTION: Q (multiple selections)

COATING (For the detail, refer to our web site.)

/C01: Silicone coating

/C02: Polyurethane coating

/C03: Rubber coating

ADJUSTMENT

/V01: Multi-turn fine adjustment

RELATED PRODUCTS

- Installation Base or Single Mount Base Socket (model: M8BSx)

This unit must be mounted on dedicated base or socket except Model M8BS2 base.

(The opencircuit detection is canceled, when mounted on M8BS-1-1.)

GENERAL SPECIFICATIONS

Construction: Plug-in

Mounting screw: M3 screw (torque 0.3 N·m)

Housing material: Flame-resistant resin (black)

Power supply: Via the Installation Base terminals (model: M8BSx)

(Model M8BS2 is not usable for the M8YC1.)

Isolation: Input to output to power

Zero adjustment: -2 to +2 % (front)

Span adjustment: 98 to 102 % (front)

Opencircuit detection: input current 0 mA when the output loop is open.

INPUT SPECIFICATIONS

- **DC Current:** Input resistor incorporated

OUTPUT SPECIFICATIONS

The output goes below 0 % when the input loop is open.

INSTALLATION

Current consumption: Approx. 50 mA

Operating temperature: 0 to 55°C (32 to 131°F)

Operating humidity: 30 to 95 %RH (non-condensing)

Mounting: Installation Base (model: M8BSx)

(Model M8BS2 is not usable for the M8YC1.)

Weight: 70 g (2.5 oz)

PERFORMANCE in percentage of span

Accuracy: ±0.1 %

Temp. coefficient: ±0.02 %/°C (±0.01 %/°F)

Response time: ≤ 15 msec. (0 - 90 %)

Line voltage effect: ±0.1 % over voltage range

Insulation resistance: ≥ 100 MΩ with 500 V DC

Dielectric strength:

1500 V AC @1 minute(input or power to output to ground)

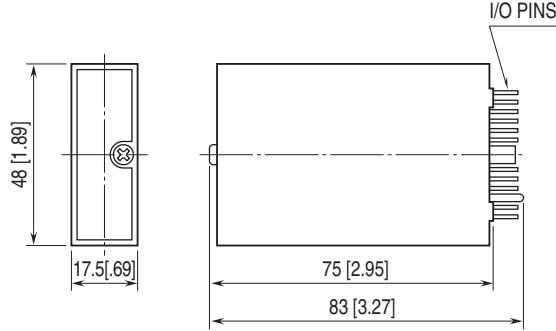
500 V AC @1 minute(input to power)

SWC test: ANSI/IEEE-C37.90.1-1989

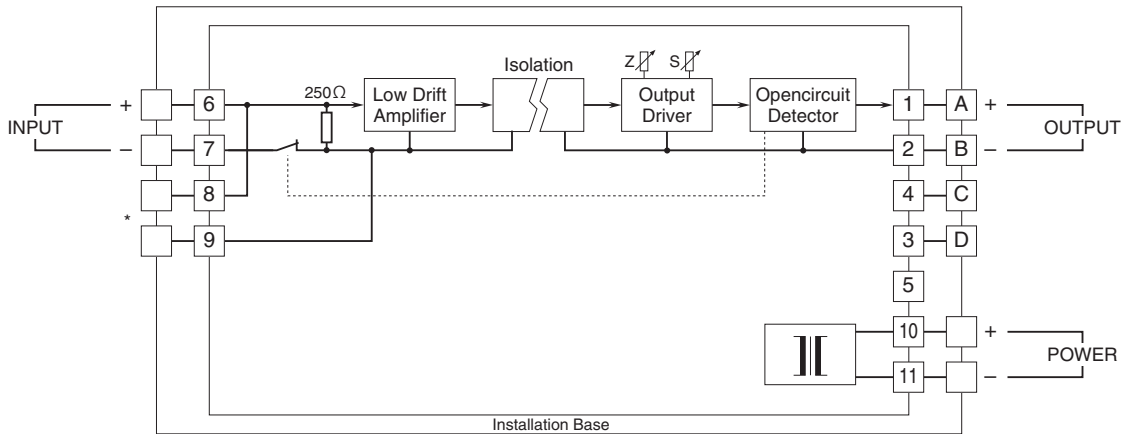
STANDARDS & APPROVALS

EU conformity:
 EMC Directive
 EMI EN 61000-6-4
 EMS EN 61000-6-2
 RoHS Directive

EXTERNAL DIMENSIONS unit: mm [inch]



SCHEMATIC CIRCUITRY & CONNECTION DIAGRAM



*Use the terminals 6 – 7 for input. The terminals 8 – 9 can be used but the opencircuit detection is canceled.

 Specifications are subject to change without notice.