

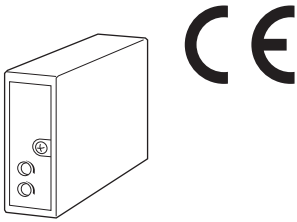
## Dual Output Super-mini Signal Conditioners Pico-M Series

### OUTPUT ISOLATOR

(CE)

#### Functions & Features

- Providing an isolated DC output at the Installation Base terminals
- Space-saving, easy-to-maintain, multi-channel installation base



### MODEL: M8YS1-[1][2]-R[3]

#### ORDERING INFORMATION

- Code number: M8YS1-[1][2]-R[3]
- Specify a code from below for each of [1] through [3].  
(e.g. M8YS1-6A-R/Q)
- Specify the specification for option code /Q  
(e.g. /C01 /V01)

#### [1] INPUT

Current

**A:** 4 - 20 mA DC (Input resistance 250 Ω)

Voltage

**4:** 0 - 10 V DC (Input resistance 1 MΩ min.)

**5:** 0 - 5 V DC (Input resistance 1 MΩ min.)

**6:** 1 - 5 V DC (Input resistance 1 MΩ min.)

#### [2] OUTPUT

Current

**A:** 4 - 20 mA DC (Load resistance 550 Ω max.)

Voltage

**4:** 0 - 10 V DC (Load resistance 5000 Ω min.)

**5:** 0 - 5 V DC (Load resistance 2500 Ω min.)

**6:** 1 - 5 V DC (Load resistance 2500 Ω min.)

#### POWER INPUT

DC Power

**R:** 24 V DC

(Operational voltage range 24 V ±10 %, ripple 10 %p-p max.)

#### [3] OPTIONS

**blank:** none

**/Q:** Options other than the above (specify the specification)

#### SPECIFICATIONS OF OPTION: Q (multiple selections)

**COATING** (For the detail, refer to our web site.)

**/C01:** Silicone coating

**/C02:** Polyurethane coating

**/C03:** Rubber coating

**ADJUSTMENT**

**/V01:** Multi-turn fine adjustment

#### RELATED PRODUCTS

- Installation Base or Single Mount Base Socket (model: M8BSx)

This unit must be mounted on dedicated base or socket.

#### GENERAL SPECIFICATIONS

**Construction:** Plug-in

**Mounting screw:** M3 screw (torque 0.3 N·m)

**Housing material:** Flame-resistant resin (black)

**Power supply:** Via the Installation Base terminals  
(model: M8BSx)

**Isolation:** Input to output to power

**Zero adjustment:** -2 to +2 % (front)

**Span adjustment:** 98 to 102 % (front)

#### INPUT SPECIFICATIONS

■ **DC Current:** Input resistor incorporated

■ **DC Voltage**

**Input resistance:** 1 MΩ min. (10 kΩ min. in power failure)

#### INSTALLATION

**Current consumption:** Approx. 30 mA (50 mA for current output)

**Operating temperature:** 0 to 55°C (32 to 131°F)

**Operating humidity:** 30 to 95 %RH (non-condensing)

**Mounting:** Installation Base (model: M8BSx)

**Weight:** 70 g (2.5 oz)

#### PERFORMANCE in percentage of span

**Accuracy:** ±0.1 %

**Temp. coefficient:** ±0.015 %/°C (±0.008 %/°F)

**Response time:** ≤ 15 msec. (0 - 90 %)

**Line voltage effect:** ±0.1 % over voltage range

**Insulation resistance:** ≥ 100 MΩ with 500 V DC

**Dielectric strength:**

1500 V AC @1 minute(input or power to output to ground)

500 V AC @1 minute(input to power)

SWC test: ANSI/IEEE-C37.90.1-1989

## STANDARDS & APPROVALS

EU conformity:

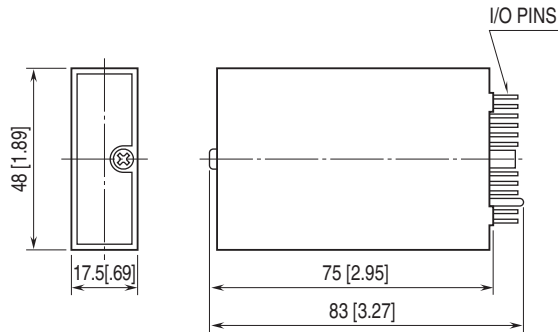
EMC Directive

EMI EN 61000-6-4

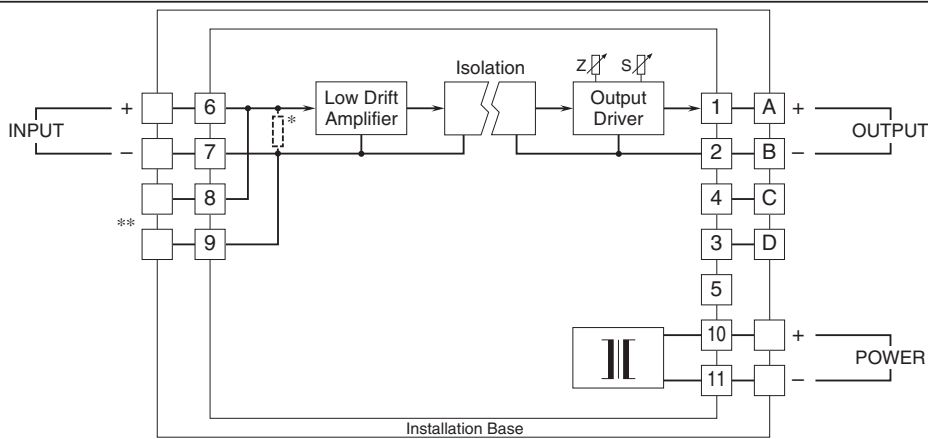
EMS EN 61000-6-2

RoHS Directive

## EXTERNAL DIMENSIONS unit: mm [inch]



## SCHEMATIC CIRCUITRY & CONNECTION DIAGRAM



\* Input shunt resistor incorporated for current input.  
 \*\*Use either of the 6 – 7 or 8 – 9 terminals for input.



Specifications are subject to change without notice.