

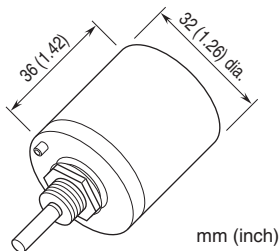
## Position Sensors

### BRUSHLESS ANGLE SENSOR

(90° use)

#### Functions & Features

- Providing a DC voltage output proportional to rotating angle
- No mechanical contact



### MODEL: NRA-1-T

#### ORDERING INFORMATION

- Code number: NRA-1-T

#### ACTION

1: Direct (the output increases when the input stem, as it is faced, is turned clockwise.)

#### POWER INPUT

DC Power

T: 5 V DC

#### RELATED PRODUCTS

- Angle sensor transmitter (model: PNS)

#### GENERAL SPECIFICATIONS

##### Material

Housing: ABS

Shaft: SUS303

Leadwire: UL1007 AWG24, 200 mm (7.87") long

#### INPUT SPECIFICATIONS

Input: Mechanical rotating angle

Effective rotating angle: Approx. -55° - +55° (110°)

Linearity-assured range: -45° - +45° (90°)

Mechanical rotating angle: Approx. -55° - +55° (110°)

Torque: 0.00147 N·m (0.00108 ft·lbs)

Stopper strength: 0.098 N·m (0.0723 ft·lbs)

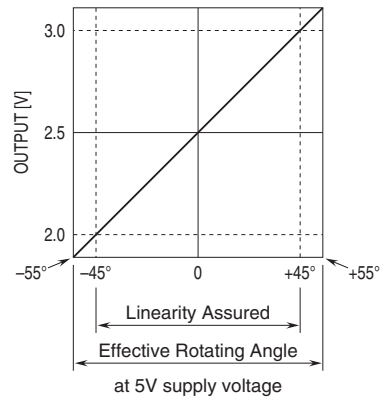
#### OUTPUT SPECIFICATIONS

Output: 40 - 60 % of excitation supply (within linearity-assured range)

Output resistance: Approx. 12 kΩ

Output waveform: Sinusoidal, full-wave rectified

Output characteristics: Proportional to the input angle within the linearity-assured range



#### INSTALLATION

##### Power input

- DC: 5 V DC  $\pm 10\%$

Current consumption: Approx. 2 mA

Operating temperature: -20 to +60°C (-4 to +140°F)

Operating humidity: 30 to 90 %RH (non-condensing)

Environment: Protect from strong magnetic field.

Vibration:  $\leq 2$  G (19.6 m/s<sup>2</sup>)

Mounting position: All directions

Thickness of mounting panel: 2.5 - 5 mm

(0.10" - 0.20")

Weight: 50 g (1.76 oz)

#### PERFORMANCE

"Span" means the output span of linearity-assured range.

Linearity:  $\pm 0.5\%$  (of span)

Accuracy of the span:  $\pm 7\%$  of excitation supply

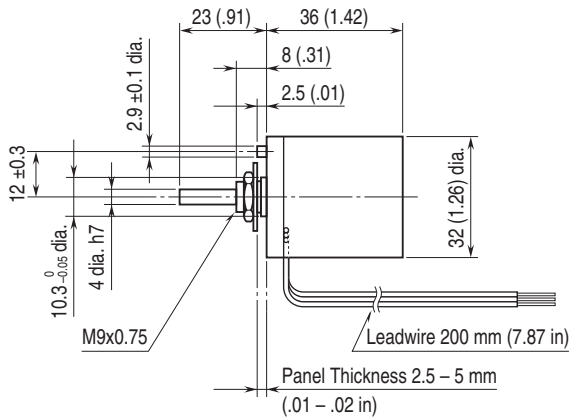
Output accuracy with 0° input:  $\pm 1\%$  of exc. supply

Temp. coefficient:  $\pm 0.009\%$  / °C ( $\pm 0.005\%$  / °F) or  $\pm 90$  ppm / °C ( $\pm 50$  ppm / °F) of span

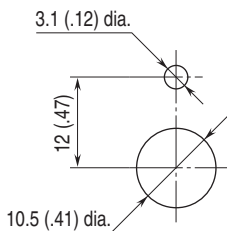
Resolution: Infinite

Dielectric strength: 1000 V AC @ 1 minute (circuit to housing)

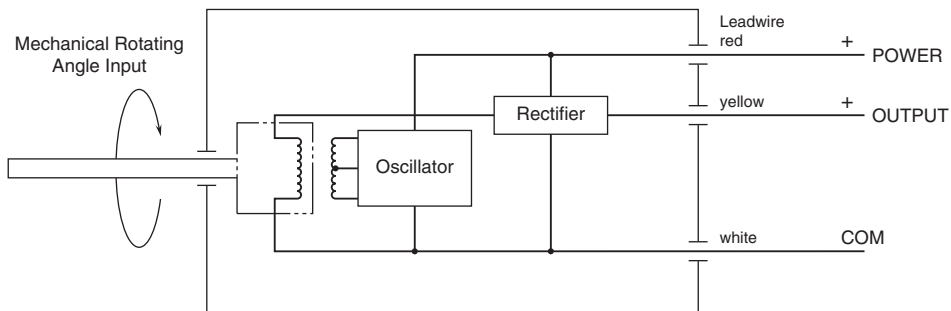
**EXTERNAL DIMENSIONS unit: mm [inch]**



**MOUNTING REQUIREMENTS unit: mm [inch]**



**SCHEMATIC CIRCUITRY & CONNECTION DIAGRAM**



Specifications are subject to change without notice.