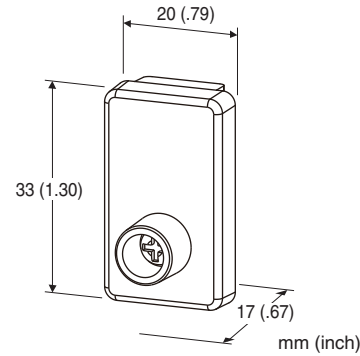


Super-mini Signal Conditioners Mini-M Series

SOCKET COVER, M2BS USE

Functions & Features

- Socket cover for empty slots (Installation Base: model M2BSx, M2BC, M2BD)



MODEL: P-M2

ORDERING INFORMATION

- Code number: P-M2

GENERAL SPECIFICATIONS

Mounting screw: M3 screw attached (torque 0.3 N·m)

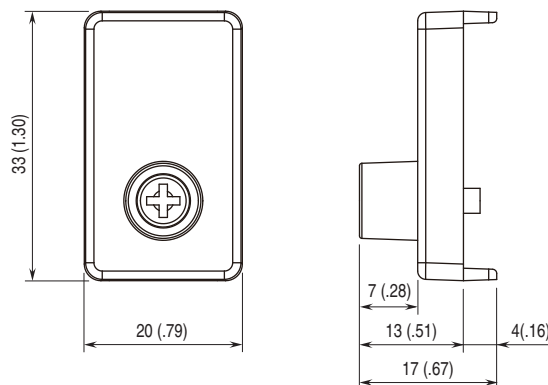
Housing material: Flame-resistant resin (black)

INSTALLATION

Mounting: Installation Base (model: M2BSx, M2BC or M2BD)

Weight: 5 g (0.18 oz)

EXTERNAL DIMENSIONS unit: mm [inch]



Specifications are subject to change without notice.