

## Plug-in Signal Conditioners M-UNIT

### POTENTIOMETER TRANSMITTER

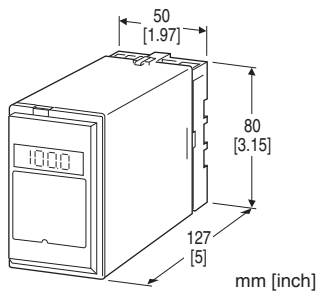
(isolated)

#### Functions & Features

- Providing a DC output proportional to a potentiometer or slidewire position input
- Constant voltage excitation allows use with pots with total resistances from 100 Ω - 10 kΩ without affecting accuracy
- 50 % zero/span adjustments with minimal interaction
- Isolation up to 2000 V AC
- Fast response type available
- LCD meter
- High-density mounting

#### Typical Applications

- Tank levels
- Positions



### MODEL: PMS-[1]-[2][3]

#### ORDERING INFORMATION

- Code number: PMS-[1]-[2][3]
- Specify a code from below for each of [1] through [3].  
(e.g. PMS-A-B/E/K/Q)
- Special output range (For codes Z & 0)
- Specify the specification for option code /Q  
(e.g. /C01/S01)

### INPUT POTENTIOMETER

Total resistance 100 Ω - 10 kΩ

#### [1] OUTPUT

Current

- A:** 4 - 20 mA DC (Load resistance 750 Ω max.)
- B:** 2 - 10 mA DC (Load resistance 1500 Ω max.)
- C:** 1 - 5 mA DC (Load resistance 3000 Ω max.)
- D:** 0 - 20 mA DC (Load resistance 750 Ω max.)
- E:** 0 - 16 mA DC (Load resistance 900 Ω max.)
- F:** 0 - 10 mA DC (Load resistance 1500 Ω max.)

- G:** 0 - 1 mA DC (Load resistance 15 kΩ max.)
- Z:** Specify current (See OUTPUT SPECIFICATIONS)
- Voltage
- 1:** 0 - 10 mV DC (Load resistance 10 kΩ min.)
- 2:** 0 - 100 mV DC (Load resistance 100 kΩ min.)
- 3:** 0 - 1 V DC (Load resistance 100 Ω min.)
- 4:** 0 - 10 V DC (Load resistance 1000 Ω min.)
- 5:** 0 - 5 V DC (Load resistance 500 Ω min.)
- 6:** 1 - 5 V DC (Load resistance 500 Ω min.)
- 4W:** -10 - +10 V DC (Load resistance 2000 Ω min.)
- 5W:** -5 - +5 V DC (Load resistance 1000 Ω min.)
- 0:** Specify voltage (See OUTPUT SPECIFICATIONS)

#### [2] POWER INPUT

AC Power

- B:** 100 V AC
- C:** 110 V AC
- D:** 115 V AC
- F:** 120 V AC
- G:** 200 V AC
- H:** 220 V AC
- J:** 240 V AC

DC Power

- S:** 12 V DC
- R:** 24 V DC
- V:** 48 V DC
- P:** 110 V DC

#### [3] OPTIONS (multiple selections)

Input Signal Indicator

**blank:** Without

**/E:** With (0.0 - 100.0 % display)

Response Time (0 - 90 %)

**blank:** Standard ( $\leq 0.5$  sec.)

**/K:** Fast Response (Approx. 25 msec.)

Other Options

**blank:** none

**/Q:** Option other than the above (specify the specification)

#### SPECIFICATIONS OF OPTION: Q (multiple selections)

COATING (For the detail, refer to our web site.)

**/C01:** Silicone coating

**/C02:** Polyurethane coating

**/C03:** Rubber coating

TERMINAL SCREW MATERIAL

**/S01:** Stainless steel

#### GENERAL SPECIFICATIONS

**Construction:** Plug-in

**Connection:** M3.5 screw terminals

**Screw terminal:** Chromated steel (standard) or stainless steel

**Housing material:** Flame-resistant resin (black)

**Isolation:** Input to output to power

**Zero adjustment:** 0 - 50 % of total resistance (front)

**Span adjustment:** 50 - 100 % of total resistance (front)

■ **DISPLAY (Input indicator)**

**LCD digital display:** 0.0 - 100.0 % (min. digit 0.1 %)

(No scaling)

## INPUT SPECIFICATIONS

**Minimum span:** 50 % of total resistance

**Excitation:** 0.5 V DC

## OUTPUT SPECIFICATIONS

■ **DC Current:** 0 - 20 mA DC

**Minimum span:** 1 mA

**Offset:** Max. 1.5 times span

**Load resistance:** Output drive 15 V max.

■ **DC Voltage:** -10 - +12 V DC

**Minimum span:** 5 mV

**Offset:** Max. 1.5 times span

**Load resistance:** Output drive 10 mA max.; 5 mA for negative voltage output; at  $\geq 0.5$  V

## INSTALLATION

### Power input

- **AC:** Operational voltage range: rating  $\pm 10$  %, 50/60  $\pm 2$  Hz, approx. 2 VA
- **DC:** Operational voltage range: rating  $\pm 10$  %, or 85 - 150 V for 110 V rating (ripple 10 % p-p max.) approx. 2 W (80 mA at 24 V)

**Operating temperature:** -5 to +60°C (23 to 140°F)

**Operating humidity:** 30 to 90 %RH (non-condensing)

**Mounting:** Surface or DIN rail

**Weight:** 300 g (0.66 lb)

## PERFORMANCE in percentage of span

**Accuracy:**  $\pm 0.1$  %

**Display accuracy:**  $\pm(0.1$  % of FS + 1 digit)

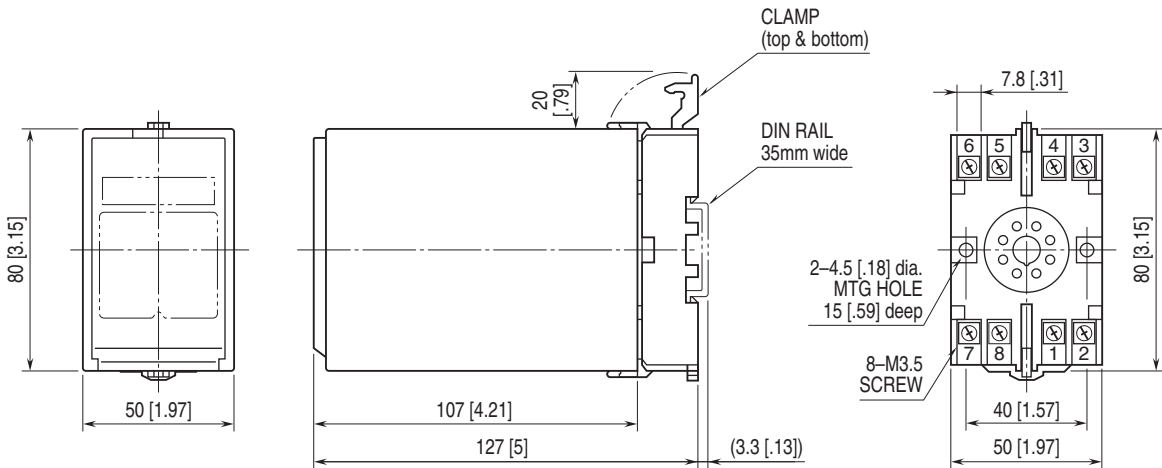
**Temp. coefficient:**  $\pm 0.015$  %/°C ( $\pm 0.008$  %/°F)

**Line voltage effect:**  $\pm 0.1$  % over voltage range

**Insulation resistance:**  $\geq 100$  M $\Omega$  with 500 V DC

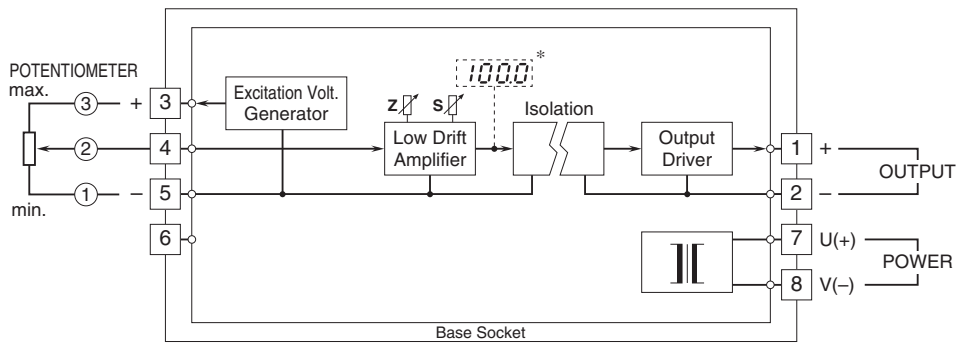
**Dielectric strength:** 2000 V AC @1 minute (input to output to power to ground)

**EXTERNAL DIMENSIONS & TERMINAL ASSIGNMENTS unit: mm [inch]**



• When mounting, no extra space is needed between units.

**SCHEMATIC CIRCUITRY & CONNECTION DIAGRAM**



\* Option /E



Specifications are subject to change without notice.