

Plug-in Signal Conditioners M-UNIT

POTENTIOMETER TRANSMITTER

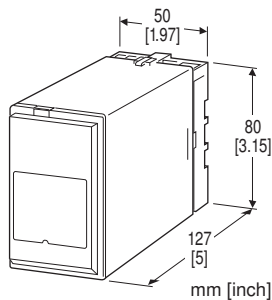
(CE, isolated)

Functions & Features

- Providing a DC output proportional to a potentiometer or slidewire position input
- Constant voltage excitation allows the connection of pots with total resistance from 100 Ω - 10 k Ω without affecting accuracy
- 50% zero/span adjustments with minimal interaction
- Fast response type available
- High-density mounting

Typical Applications

- Tank levels
- Positions



MODEL: PMS-[1]-[2][3]

ORDERING INFORMATION

- Code number: PMS-[1]-[2][3]
- Specify a code from below for each of [1] through [3].
(e.g. PMS-A-B/K/CE/Q)
- Special output range (For codes Z & 0)
- Specify the specification for option code /Q
(e.g. /C01/S01)

INPUT POTENTIOMETER

Total resistance 100 Ω - 10 k Ω

[1] OUTPUT

Current

- A:** 4 - 20 mA DC (Load resistance 750 Ω max.)
- B:** 2 - 10 mA DC (Load resistance 1500 Ω max.)
- C:** 1 - 5 mA DC (Load resistance 3000 Ω max.)
- D:** 0 - 20 mA DC (Load resistance 750 Ω max.)
- E:** 0 - 16 mA DC (Load resistance 900 Ω max.)
- F:** 0 - 10 mA DC (Load resistance 1500 Ω max.)
- G:** 0 - 1 mA DC (Load resistance 15 k Ω max.)

Z: Specify current (See OUTPUT SPECIFICATIONS)
Voltage

- 1:** 0 - 10 mV DC (Load resistance 10 k Ω min.)
- 2:** 0 - 100 mV DC (Load resistance 100 k Ω min.)
- 3:** 0 - 1 V DC (Load resistance 3000 Ω min.)
- 4:** 0 - 10 V DC (Load resistance 10 k Ω min.)
- 5:** 0 - 5 V DC (Load resistance 5000 Ω min.)
- 6:** 1 - 5 V DC (Load resistance 5000 Ω min.)
- 4W:** -10 - +10 V DC (Load resistance 20 k Ω min.)
- 5W:** -5 - +5 V DC (Load resistance 10 k Ω min.)
- 0:** Specify voltage (See OUTPUT SPECIFICATIONS)

[2] POWER INPUT

AC Power

- B:** 100 V AC
- C:** 110 V AC
- D:** 115 V AC
- F:** 120 V AC
- G:** 200 V AC
- H:** 220 V AC
- J:** 240 V AC

DC Power

- S:** 12 V DC
- R:** 24 V DC
- V:** 48 V DC

[3] OPTIONS (multiple selections)

Response Time (0 - 90 %)

blank: Standard (\leq 0.5 sec.)

/K: Fast Response (Approx. 25 msec.)

Standards & Approvals (must be specified)

/CE: CE marking

Other Options

blank: none

/Q: Option other than the above (specify the specification)

SPECIFICATIONS OF OPTION: Q (multiple selections)

COATING (For the detail, refer to our web site.)

/C01: Silicone coating

/C02: Polyurethane coating

/C03: Rubber coating

TERMINAL SCREW MATERIAL

/S01: Stainless steel

GENERAL SPECIFICATIONS

Construction: Plug-in

Connection: M3.5 screw terminals

Screw terminal: Chromated steel (standard) or stainless steel

Housing material: Flame-resistant resin (black)

Isolation: Input to output to power

Zero adjustment: 0 - 50 % of total resistance (front)

Span adjustment: 50 - 100 % of total resistance (front)

INPUT SPECIFICATIONS

Minimum span: 50 % of total resistance

Excitation: 0.5 V DC

OUTPUT SPECIFICATIONS

■ **DC Current:** 0 - 20 mA DC

Minimum span: 1 mA

Offset: Max. 1.5 times span

Load resistance: Output drive 15 V max.

■ **DC Voltage:** -10 - +12 V DC

Minimum span: 5 mV

Offset: Max. 1.5 times span

Load resistance: Output drive 1 mA max. at ≥ 3 V

INSTALLATION

Power input

• **AC:** Operational voltage range: rating ± 10 %, 50/60 ± 2 Hz, approx. 2 VA

• **DC:** Operational voltage range: rating ± 10 %, ripple 10 %p-p max., approx. 2 W (80 mA at 24 V)

Operating temperature: -5 to +60°C (23 to 140°F)

Operating humidity: 30 to 90 %RH (non-condensing)

Mounting: Surface or DIN rail

Weight: 300 g (0.66 lb)

PERFORMANCE in percentage of span

Accuracy: ± 0.1 %

Temp. coefficient: ± 0.015 %/°C (± 0.008 %/°F)

Line voltage effect: ± 0.1 % over voltage range

Insulation resistance: ≥ 100 M Ω with 500 V DC

Dielectric strength:

1350 V AC @1 minute (input to output)

2300 V AC @1 minute (input or output to power to ground)

STANDARDS & APPROVALS

EU conformity:

EMC Directive

EMI EN 61000-6-4

EMS EN 61000-6-2

Low Voltage Directive

EN 61010-1

Installation Category II

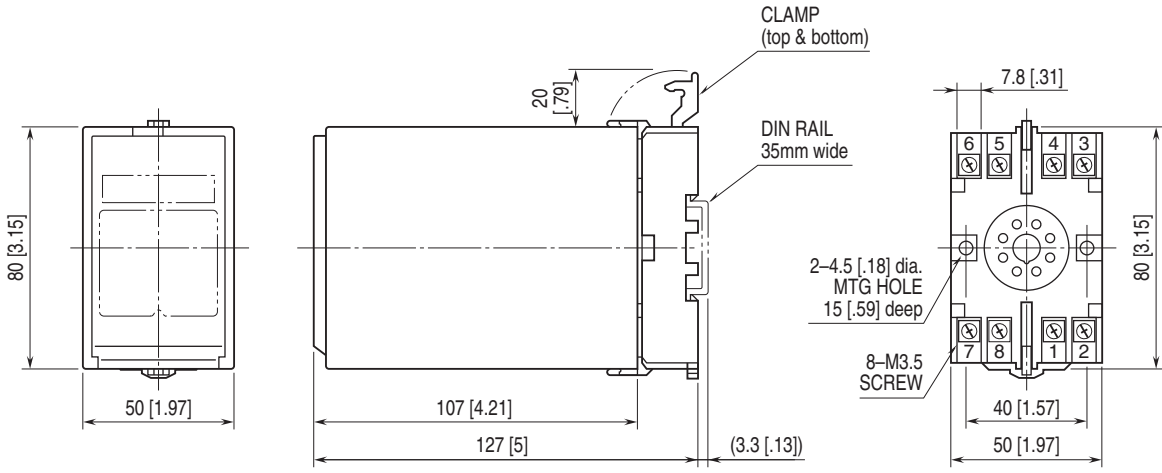
Pollution Degree 2

Input or output to power: Reinforced insulation (300 V)

Input to output: Basic insulation (300 V)

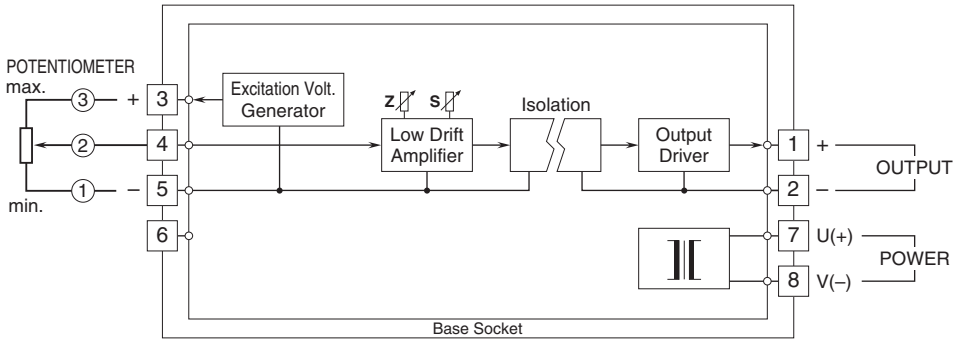
RoHS Directive


EXTERNAL DIMENSIONS & TERMINAL ASSIGNMENTS unit: mm [inch]



• When mounting, no extra space is needed between units.

SCHEMATIC CIRCUITRY & CONNECTION DIAGRAM



 Specifications are subject to change without notice.