

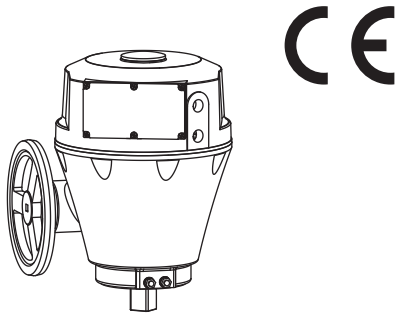
**Final Control Elements**

**SERVO-TOP II ELECTRONIC ACTUATOR**

(rotary type; max. torque 600 N·m)

**Functions & Features**

- Control valve actuator drive
- Friendly user interface
- High resolution stepping motor
- With manual hand wheel (which does not rotate during operation)



**MODEL: PRP-2-[1][2]-[3][4]**

**ORDERING INFORMATION**

- Code number: PRP-2-[1][2]-[3][4]
- Specify a code from below for each of [1] through [4].  
(e.g. PRP-2-1A-K3/Q)
- Specify the specification for option code /Q  
(e.g. /C03/SET)
- Use Ordering Information Sheet (No. ESU-4875). Factory setting (table below) will be used if not otherwise specified.

**STANDARD FACTORY SETTING**

PARAMETER	FACTORY SETTING
Action	Reverse
Operation at input failure	Hold position at input failure
Output stem position at full-closed	0°
Output stem position at full-open	90°
Ex-factory stem position	90°
Full-closed (0°) signal position	ON at 2° or less
Full-open (90°) signal position	ON at 88° or more
Restart limiting timer	2 sec.
Resolution	1/300 [output stem operational angle: 0.3°]

**[1] TORQUE, OPERATION TIME**

- 1: 600 Nm, 50 sec./90°
- 2: 600 Nm, 34 sec./90°
- 3: 600 Nm, specified time (refer to the instruction manual)

**[2] INPUT**

Current  
**A:** 4 - 20 mA DC (Input resistance 250 Ω)  
 Voltage  
**6:** 1 - 5 V DC (Input resistance 20 kΩ min.)

**[3] POWER SUPPLY VOLTAGE**

AC Power  
**K3:** 100 - 120 V AC  
 (Operational voltage range 90 - 132 V, 47 - 66 Hz)  
 (Not selectable for CE)  
**L3:** 200 - 240 V AC  
 (Operational voltage range 180 - 264 V, 47 - 66 Hz)

**[4] OPTIONS**

**blank:** none  
**/Q:** Options other than the above (specify the specification)

**SPECIFICATIONS OF OPTION: Q (multiple selections)**

COATING (For the detail, refer to our web site.)  
**/C03:** Rubber coating  
 EX-FACTORY SETTING  
**/SET:** Preset according to the Ordering Information Sheet  
 (No. ESU-4875)

**RELATED PRODUCTS (Products sold separately)**

- Programming Unit (model: PU-2x)

**GENERAL SPECIFICATIONS**

**Degree of protection:** IP66  
**Action:** Reverse or direct (In "reverse" action, the output stem turns counterclockwise (seen from the indicator) with an input signal increase.)  
 Field selectable with DIP switches  
**Operation at input failure:** Stem stop at full-open, full-close or hold position at input failure; field selectable with DIP switches  
**Minimum input signal**  
 Current input: ≥ 2.0 mA DC  
 Voltage input: ≥ 0.5 V DC  
**Wiring conduits:** G 1/2 female thread (two)  
**Terminal block:** 8.4 mm pitch; M3.5 screw terminals (torque 0.7 to 1.1 N·m)  
**Housing material:** Aluminum alloy (type: ADC12)  
**Coating:** Baked acrylic resin  
**Drive:** Stepping motor  
**Insulation class:** E  
**Position detection:** Potentiometer (conductive plastic type)  
**Full-open and full-closed positions:** -5 to +95°; minimum span 45°; field adjustable with control buttons

**Full-closed signal adj.:** -5 to +20°

**Full-open signal adj.:** 70 to 95°

**Linearity resolution adj.:** 1/300 to 1/1000

**Restart limiting timer adj.:** 0 to 30 sec.

**Isolation:** Signals to power to sequential signals to metallic housing

**Fuse:** 3 A (replaceable)

**Manual operation:** Available (manual handle stem: approx. 15 turns plus 90°/output stem: 90° action)

**User-configurable items:**

Configurable with Programming unit (model: PU-2x)

- Full-closed/full-open signal position
- Opening/closing speed
- Restart limiting timer
- Closed/open side limiter
- Resolution

## INPUT SIGNAL SPECIFICATIONS

■ **DC Current:** Input resistor incorporated (not removable)

■ **Forced Operation:** External contact signal input terminals provided for compulsory opening or closing operation

**Rating:** 5 V DC @ 2.5 mA

## OUTPUT SIGNAL SPECIFICATIONS

■ **Position Signal:** 4 - 20 mA DC

**Load resistance:** ≤ 300 Ω

• **Sequential Control Signal:** "Full-open", "full-closed" and "alarm"

**Open collector:** 30 V DC @ 100 mA max.

**Saturation voltage:** 1 V DC

## INSTALLATION

**Power consumption:** 180 VA

**Stand-by consumption:** 45 VA

**Operating temperature:** -20 to +55°C (-4 to +131°F)

**Operating humidity:** 30 to 85 %RH (non-condensing)

**Vibration:** Passed test condition below

• Fixed frequency endurance test

Acceleration: 2 G (19.6 m/s<sup>2</sup>)

Frequency: at resonant frequency

Endurance: 30 min.

Direction: X, Y, Z

• Sweep endurance test

Acceleration: 2 G (19.6 m/s<sup>2</sup>)

Frequency: 10 to 1000 Hz

Cycle: 20 cycles

Rate: 1 oct./min.

Endurance: approx. 4 hr. 30 min.

Direction: X, Y, Z

**Mounting position:** All directions

Prevent water from accumulating around the output stem.

**Weight:** Approx. 26.5 kg (58.42 lb)

## PERFORMANCE

**Insulation resistance:** ≥ 100 MΩ with 500 V DC (signals to power supply voltage to sequential signals to metallic housing)

**Dielectric strength:**

- 2000 V AC @ 1 minute
- signals or metallic housing\* to power supply voltage
- power supply voltage to sequential signals
- signals or metallic housing\* to sequential signals

- 500 V AC @ 1 minute

- signals to metallic housing

\* Short between signals and metallic housing

## STANDARDS & APPROVALS

■ **EU conformity (CE marking)**

• EMC Directive

EMI EN 61000-6-4

EMS EN 61000-6-2

• Low Voltage Directive

• EN 61010-1

• Installation Category II (300V)

• Reinforced insulation:

Power voltage to I/O signal or seq. signals

Power voltage to metallic housing

• Pollution Degree 2

• RoHS Directive

EN IEC 63000

## FUNCTIONS

• **Error Detection**

When the position signal is deviated from the input signal but the output stem is stuck due to overload or certain malfunction, the PRP repeats starting the motor at the maximum torque for several times.

If the stem is still stuck after that, the PRP outputs an alarm signal (LED turned ON) and stops power supply to the motor.

In order to reset the PRP, apply several times 0% and 100% input signals in turn, or turn off and on the power supply.

• **Abnormal Temperature Increase Protection**

When the incorporated temperature sensor detects an abnormal temperature increase in the motor, the alarm LED blinks (repeating 0.5-sec. ON - 0.5-sec. OFF) and the power supply to the final control element motor is stopped until the temperature decreases to an acceptable level. The PRP is designed to resume automatically power supply to the motor. It takes longer to resume normal operation when ambient temperature is higher.

• **Restart Limiting Timer**

This unit is equipped with a timer protecting the motor from overheating. The timer prevents the motor from restarting for a certain interval once the motor has been stopped within deadband.

When the high temperature protection is activated in a high temperature ambient, adjust the timer to a longer interval.

- **Motor Preheat Function**

When this unit detects a temperature lower than 0°C or 32°F (approximate) on the surface of its motor, this unit supplies current to the motor in order to warm up and maintain its surface temperature at 5°C or 41°F (approximate).

Maintain the power-supply voltage ON when this unit is used in the ambient temperature below 0°C or 32°F.

- **Resolution**

The ratio that the stem of the unit rotates according to input signal.

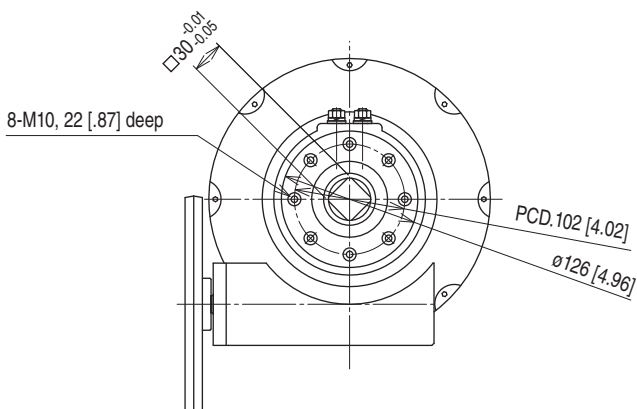
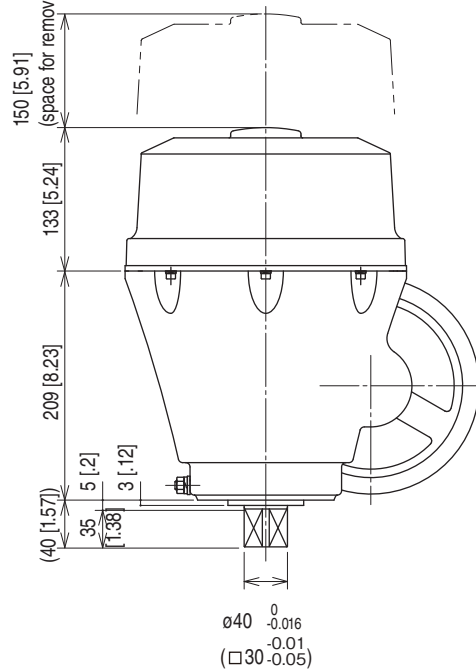
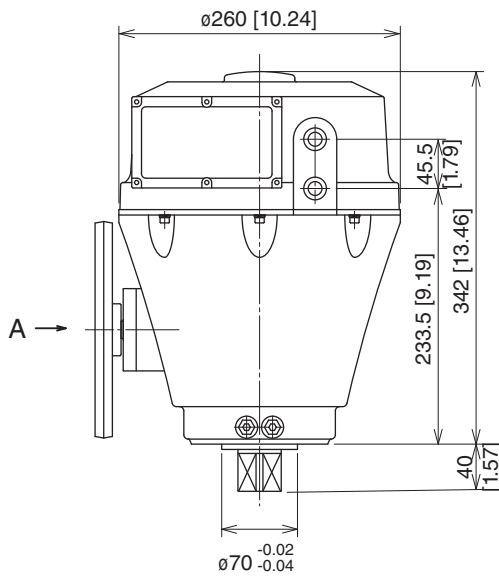
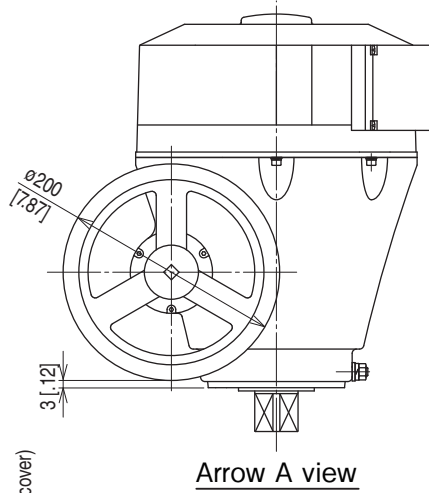
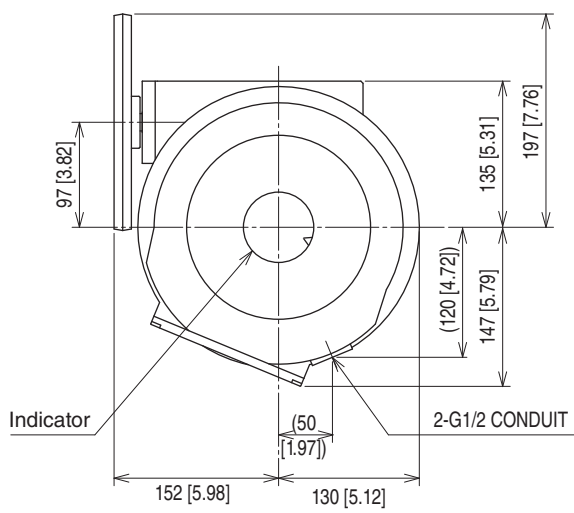
E.g. Resolution is 1/300 for the specification that input signal is 4 to 20 mA, output stem 90°, direct or reverse action. As the span of input signal is 16 mA (20 - 4 = 16 mA), when input signal is changed by 0.053 mA step (16 mA / 300 = 0.053 mA), the output stem rotates 0.3° (90° / 300 = 0.3°).

(Even for output stem 60° setting, resolution is 1/300 = 0.3°/step)

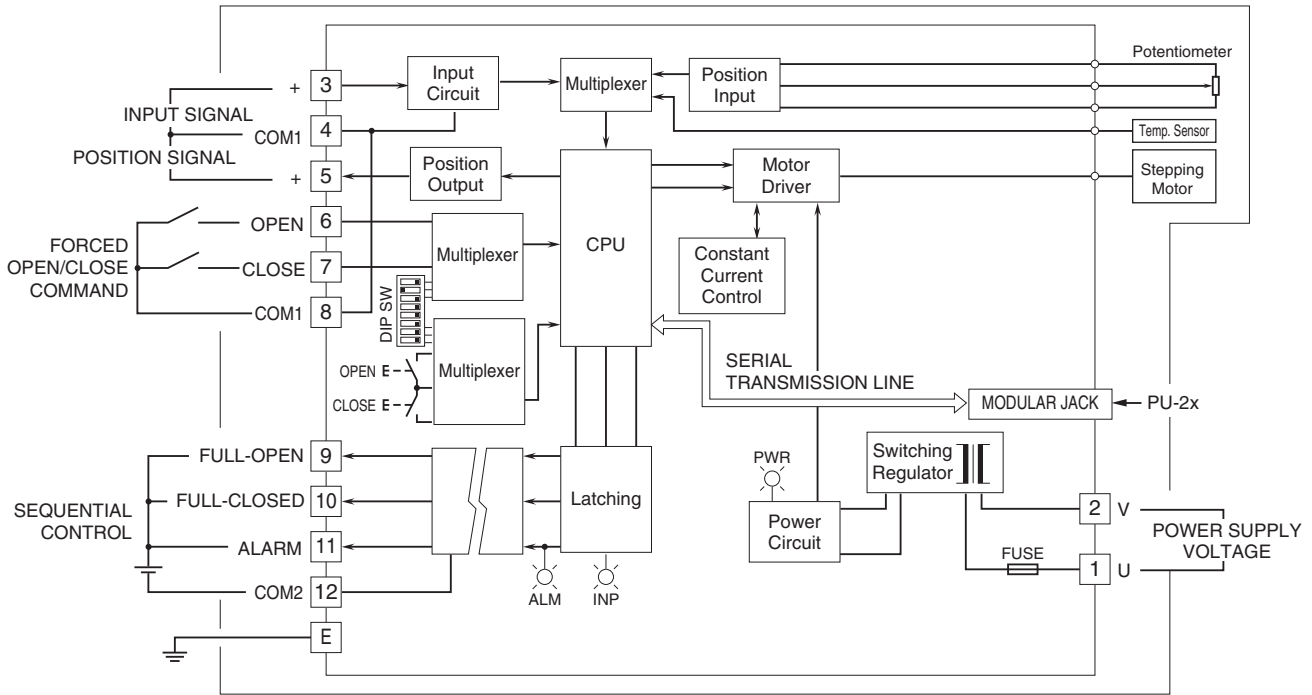
It is not true that input signal = output signal.

(Not input signal 4.00 mA DC = output signal 4.00 mA DC, there is difference around ±0.012 mA DC.)

**EXTERNAL DIMENSIONS** unit: mm [inch]



**SCHEMATIC CIRCUITRY**



Specifications are subject to change without notice.